



**ADO**

**PVC PROFILE  
TECHNICAL CATALOGUE**

**ADO**



## INDEX

Ado Quality Certificate	5
Ado Profile Systems 3D	6
Ado Profile Systems Technic Detail	8
Penwood 883 Serie	10
Penwood 750 Serie	14
Penwood 760 Serie	20
Penwood 632 Serie	26
Penwood 232 Sliding Serie	32
W 800- W 860 Serie	38
W 873 Serie	42
W 790 Serie	48
W 777 Serie	54
W 752 - W 750 Serie	60
W 760 Serie	68
W 640 - W 642 Serie	74
W 634 Serie	80
W 632 Serie	86
W 624 Serie	92
WO 60 Serie	98
W FR 60 Serie	104
W 330 - W 332 Serie	116
W 880 Hebeschiebe Serie	122
W 232 Sliding System with Single Rail	132
W 232 Sliding System	132
W 222 Sliding System	142
W 150 Sliding System	150
Roller Shutter Profile System	154
Shutter System	166
Glazing Bead Combination Table	168
Auxiliary Profile	171

# ADO QUALITY CERTIFICATED



Penwood CE



EN 12412-2 Uf:1.1W/(m².K)



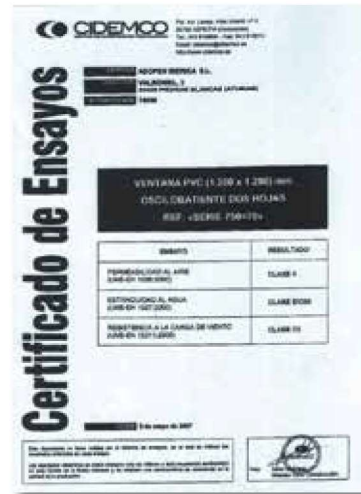
ROSENHEIM - GERMANY



EMI - HUNGARY



INCERC - ROMANIA



CIDEMCO - SPAIN



ISO 14001:2015



ISO 9001:2015

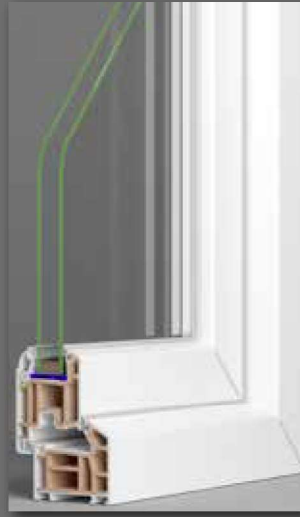
# ADO PROFILE SYSTEMS



Penwood 883



Penwood 750



Penwood 760



Penwood 632



Penwood 232 Sliding



W 800 / W 860



W 873



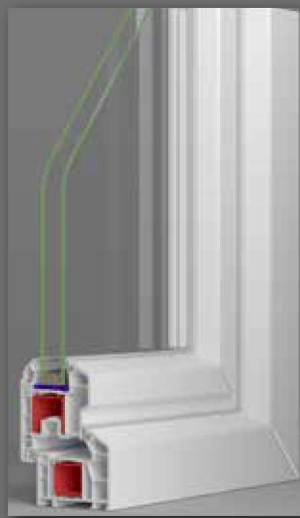
W 790



W 777



W 752 / W 750



W 760



W 640 / W 642

## LAMINATED COLORS



GOLDEN OAK  
ST 500



DARK OAK  
ST 501



SWAMP OAK  
ST 503



LIGHT OAK  
ST 515



MAHOGANY  
ST 504

# ADO PROFILE SYSTEMS



W 634



W 632



W 624



WO 60



W FR 60 SERIES



W 330 / W 332



W 880  
(HEBESCHIEBE)



W 232 SLIDING  
SYSTEM WITH  
SINGLE RAIL



W 232 SLIDING  
SYSTEM



W 222 SLIDING  
SYSTEM



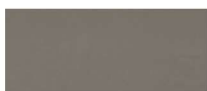
W 150 SLIDING  
SYSTEM



W ROLLER SHUTTER



SHUTTER



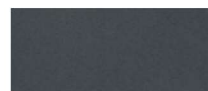
GREY SAND  
AS 509



GREY  
ST 507



ANT. GREY  
ST 508

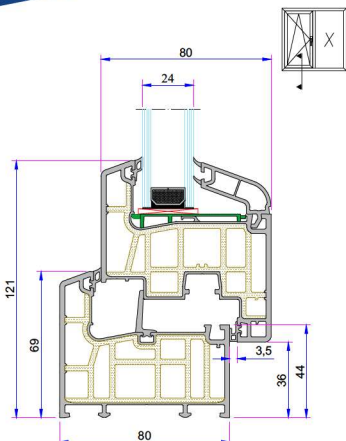


ANT. GREY  
AS 508

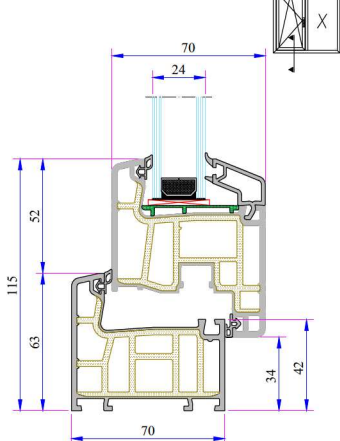


CREAM  
AS 057

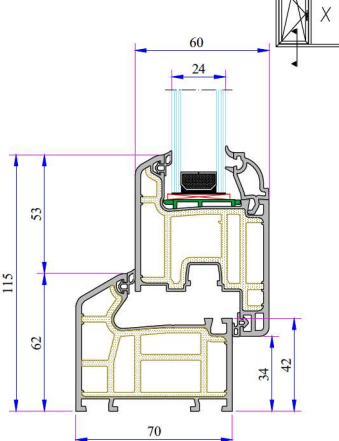
# ADO PROFILE SYSTEMS



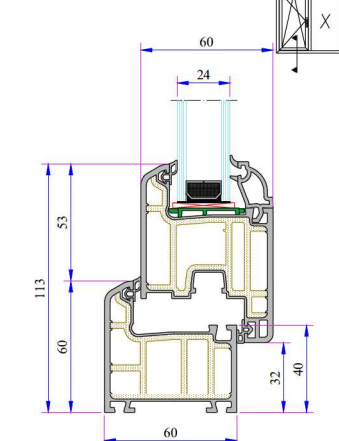
**PENWOOD 883 SERIES**



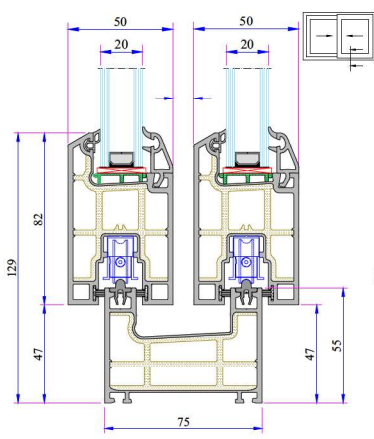
**PENWOOD 750 SERIES**



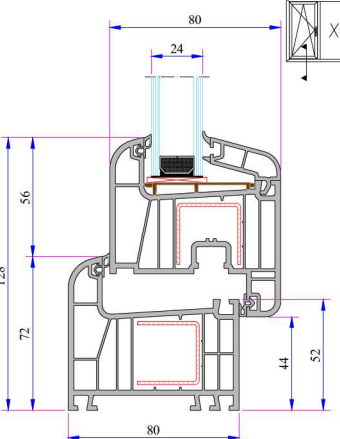
**PENWOOD 760 SERIES**



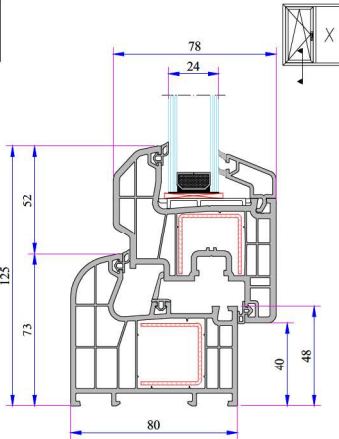
**PENWOOD 632 SERIES**



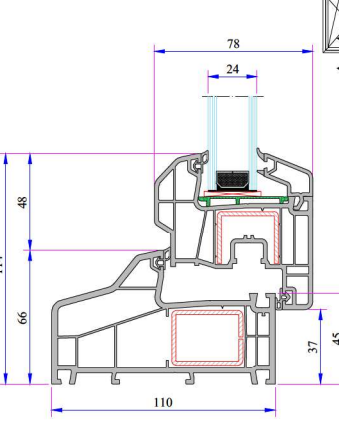
**PENWOOD 232 SLIDING SERIES**



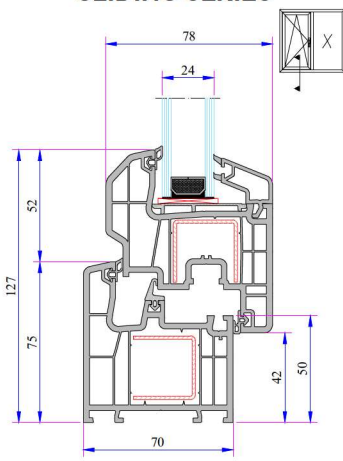
**W 800 / W 860 SERIES**



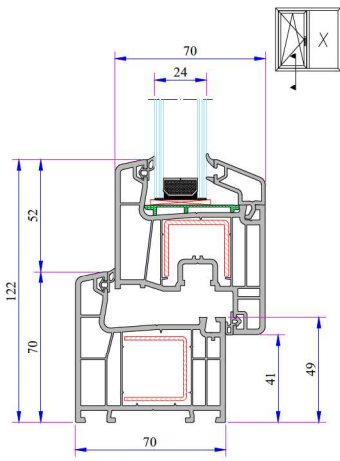
**W 873 SERIES**



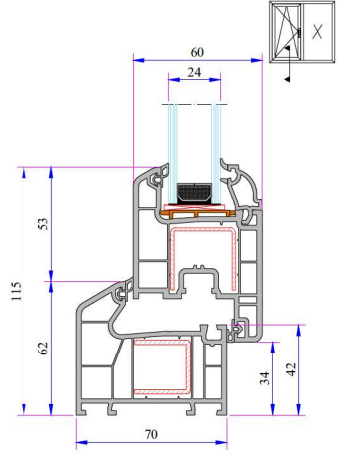
**W 790 SERIES**



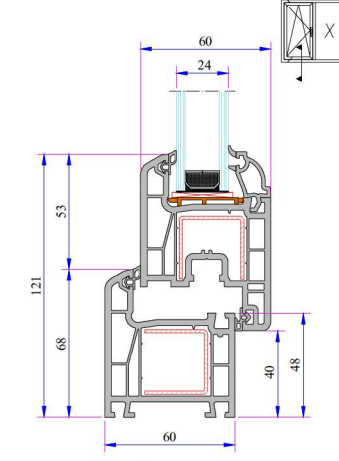
**W 777 SERIES**



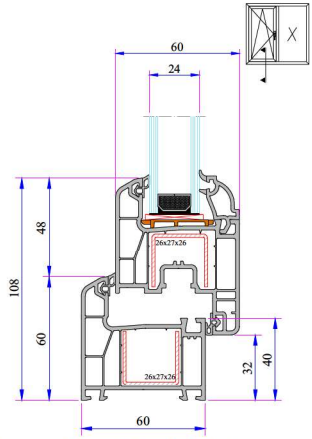
**W 752 / W 750 SERIES**



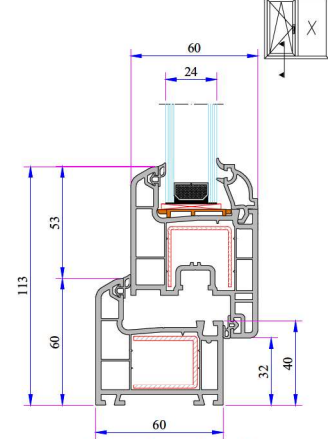
**W 760 SERIES**



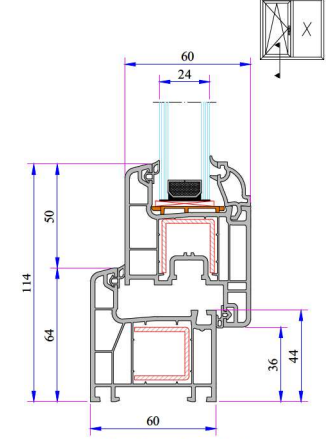
**W 640 / W 642 SERIES**



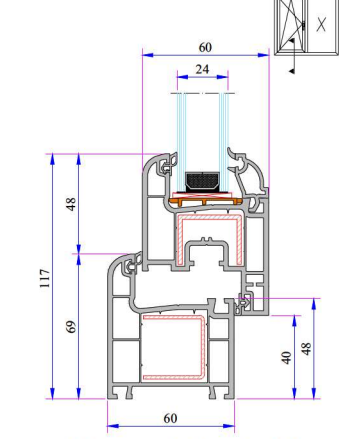
**W 634 SERIES**



**W 632 SERIES**



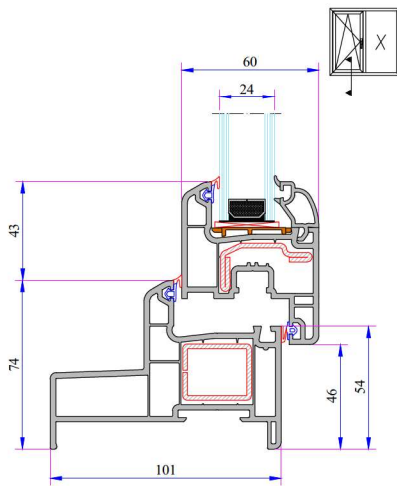
**W 624 SERIES**



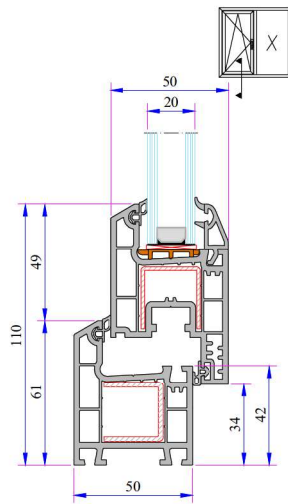
**WO 60 (101) SERIES**



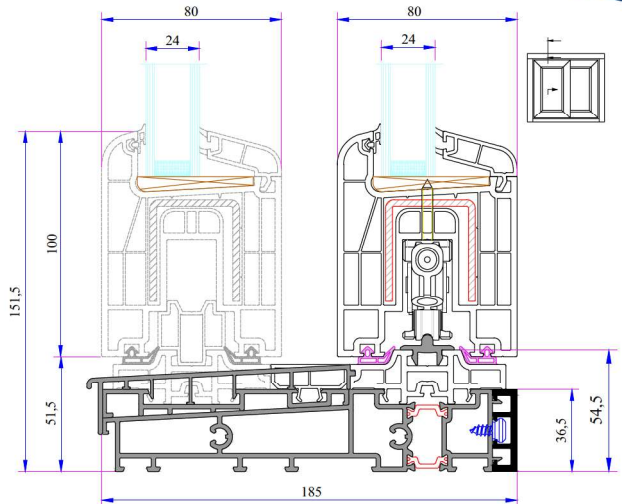
# ADO PROFILE SYSTEMS



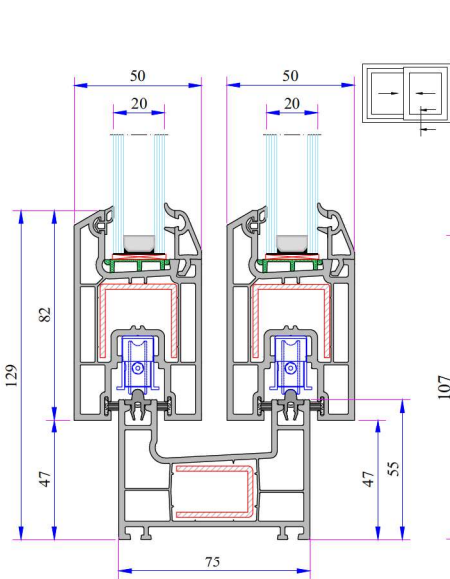
**W FR 60 SERIES**



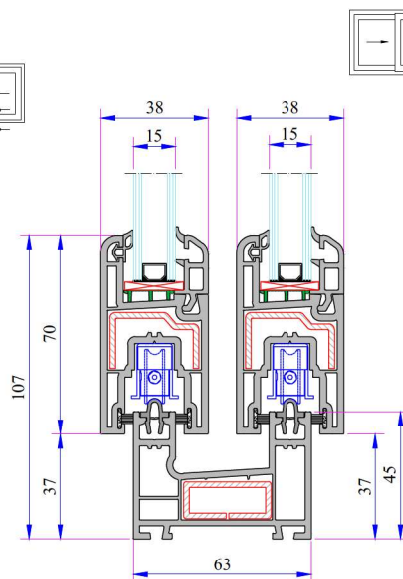
**W 330 / W 332 SERIES**



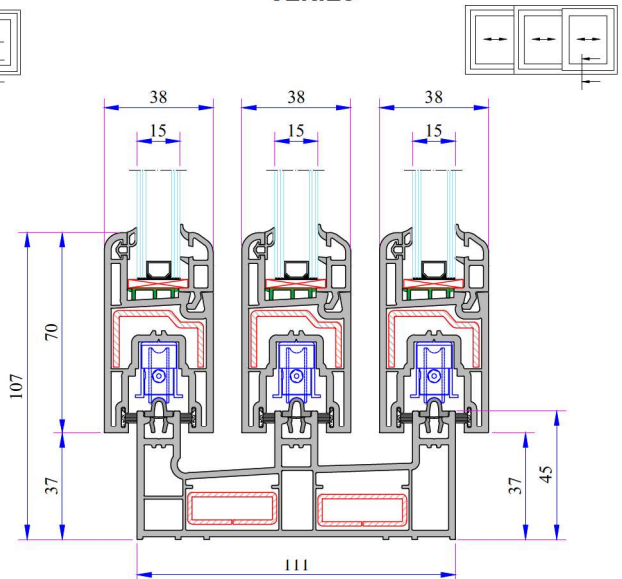
**W 880 (HEBESCHIEBE) SERIES**



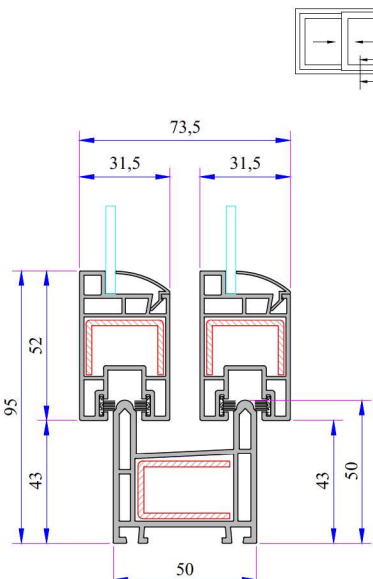
**W 232 SLIDING SYSTEM WITH SINGLE RAIL SERIES**



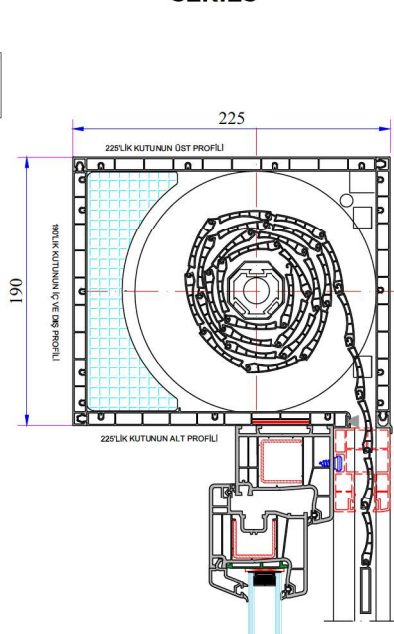
**W 232 SLIDING SYSTEM WITH DOUBLE RAIL SERIES**



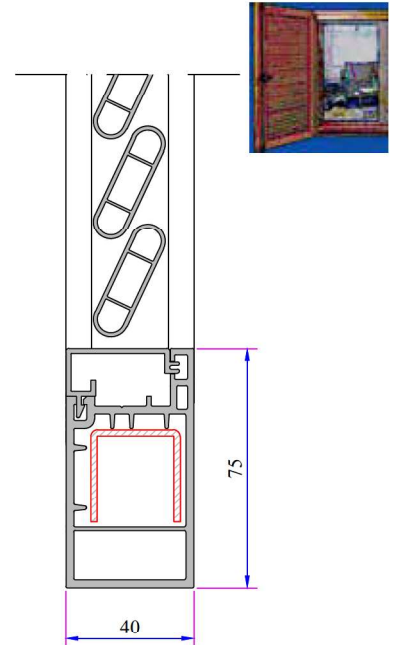
**W 222 SLIDING SYSTEM SERIES**



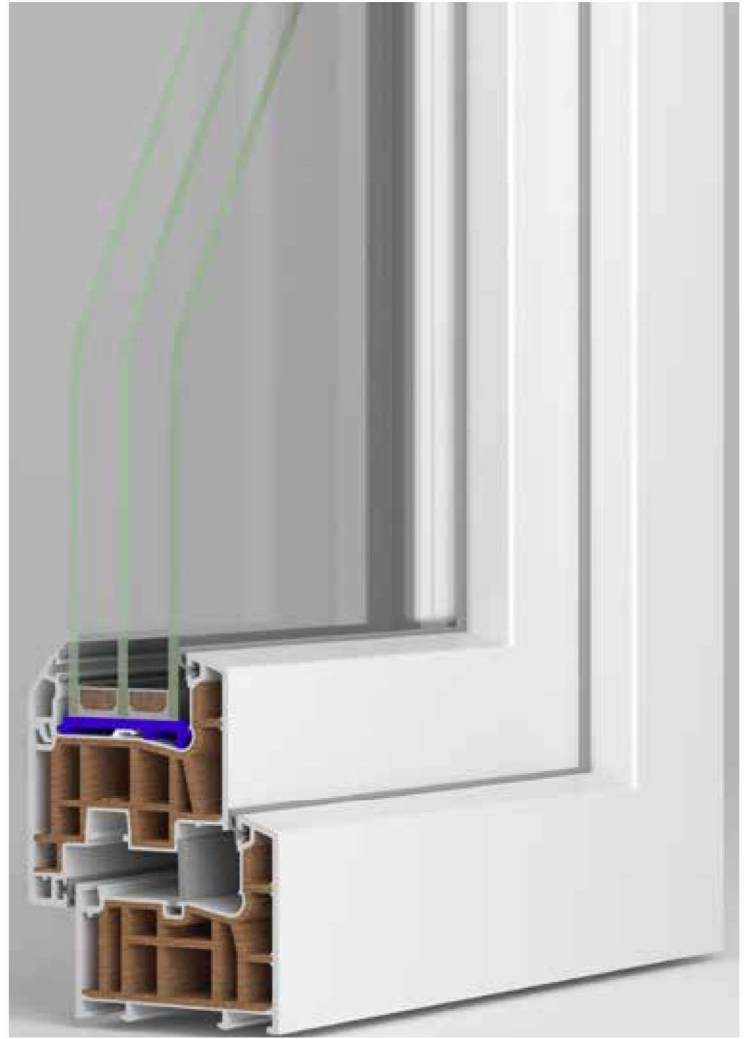
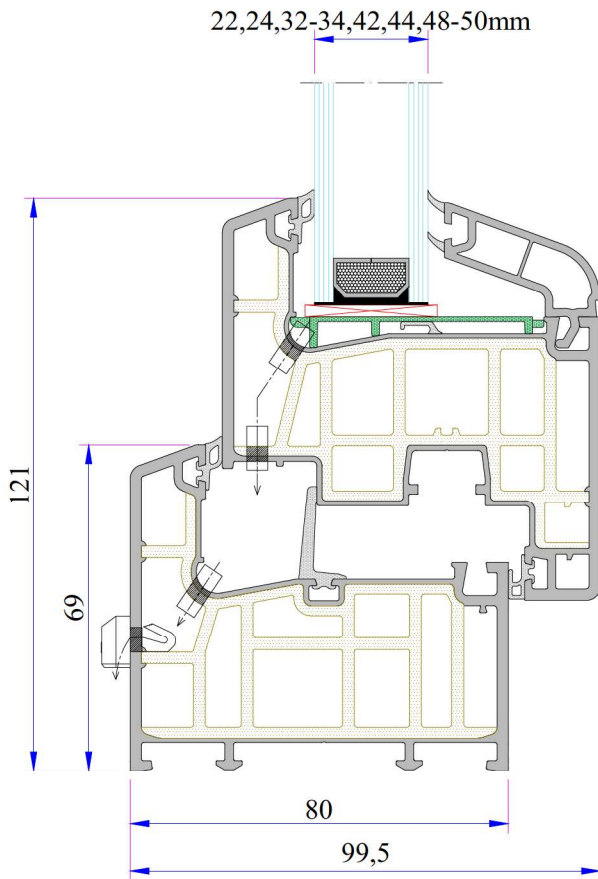
**W 150 SLIDING SYSTEM SERIES**



**W ROLLER SHUTTER SERIES**



**SHUTTER SERIES**



## TECHNICAL

### **PENWOOD 883 SERIES**

**Profile Width:** 80 mm

**Number of chambers:** 6 chambers system

**Profile Class:** A - B Class (TS EN 12608-1)

**Seal Type:** Triple seal system (External / Internal / Middle)

**Seal Type and Color:** TPE - Grey /Black

**Glass Thickness (mm):** 22, 24, 32-34, 42, 44, 48-50 mm

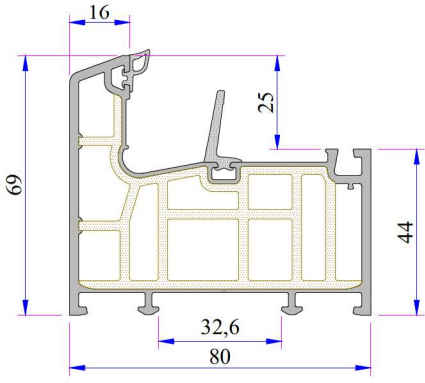
**The thermal insulation Uf:** 0,90W/m<sup>2</sup>K

**Uw:** 0,77 W/m<sup>2</sup>K

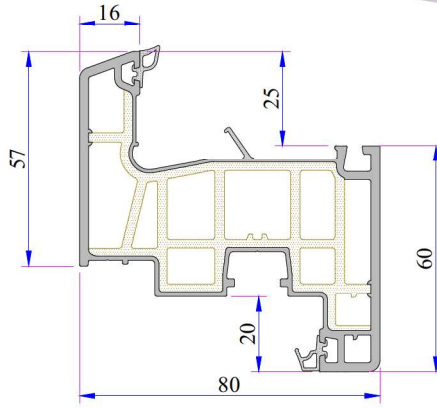
## INSTRUCTION

- 80 mm profile system. Because of the composite profile extruded together, No need for extra metal reinforcement inside.
- No need for reinforcement cutting screwing unit and workman.
- Compared with metal reinforcement system profile, it has %30 more advantages with max heat-sound and water insulation.
- Just cut and weld. You do not need Metal Reinforcement and extra stock area for Metal Reinforcement.
- Possibility to install single 4-6 mm or double glazing 22, 24, 32 - 34, 42, 44, 48 - 50 mm with different thickness of glazing bead.
- It has water drainage channel, it can be directly drilled after cutting.
- Color range for laminated products.
- It's quality is accredited by national and international certificates.

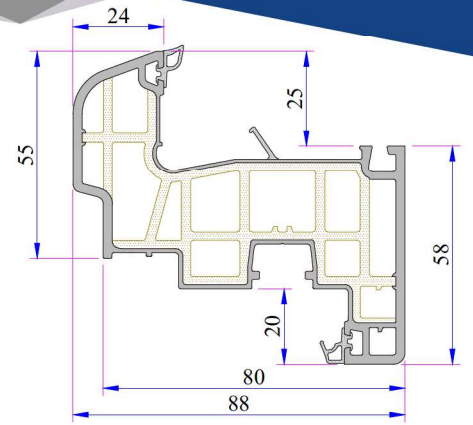
# PENWOOD 883 SERIES PVC PROFILE SYSTEM



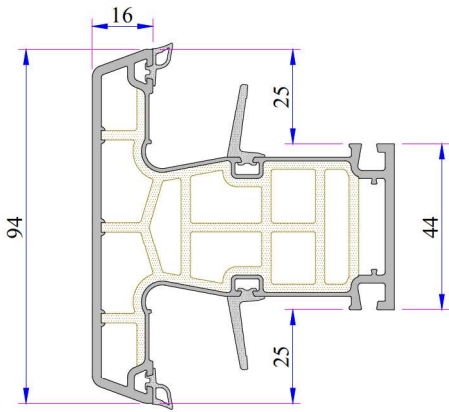
**883 Penwood Frame Profile**  
Code: ???



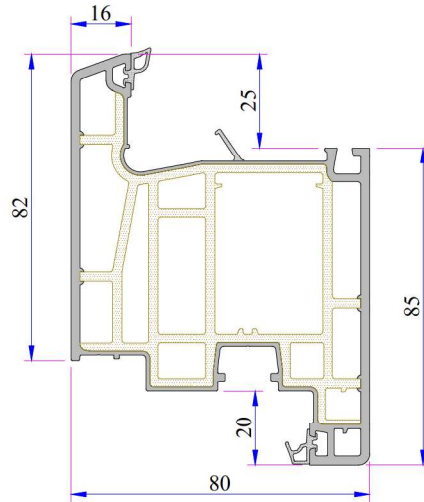
**883 Penwood Sash Profile**  
Code: ???



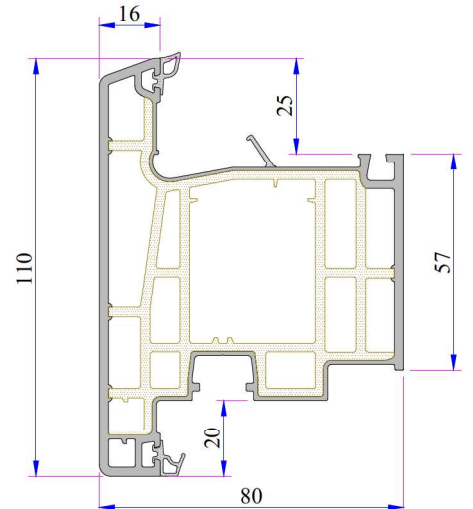
**Offset Type Sash Profile**  
Code: ???



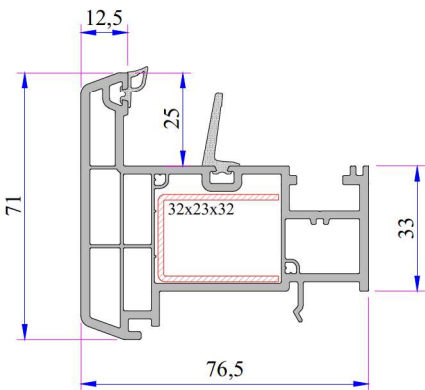
**Mullion Profile**  
Code: ???



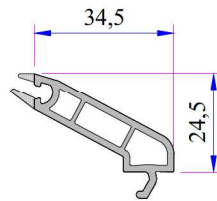
**Door Sash Profile**  
Code: ???



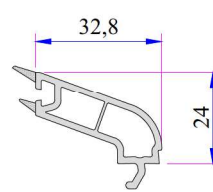
**Outward Opening Door Sash Profile**  
Code: ???



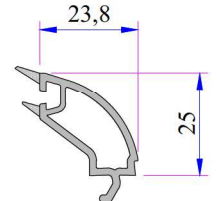
**Lap Joint Profile**  
Code: ???



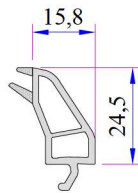
**Glazing Bead 22mm**  
Code: ???



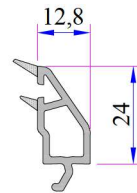
**Glazing Bead 24mm**  
Code: ???



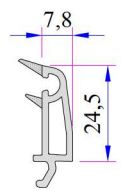
**Glazing Bead 32-34mm**  
Code: P.A.777.4204.600.0.HC



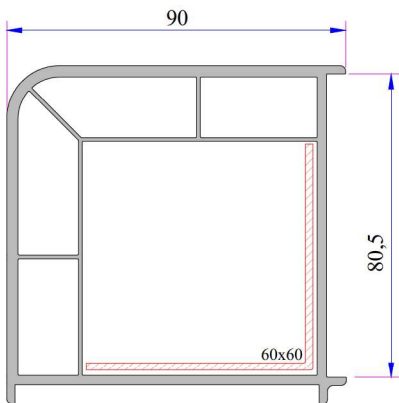
**Glazing Bead 42mm**  
Code: P.A.777.4302.600.0.HC



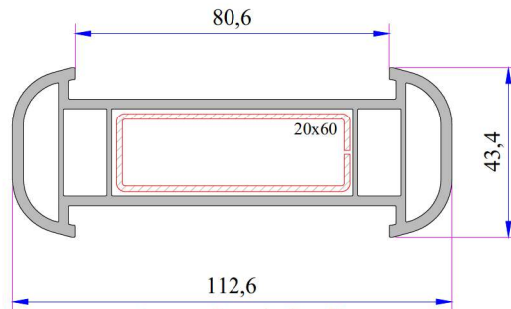
**Glazing Bead 44mm**  
Code: ???



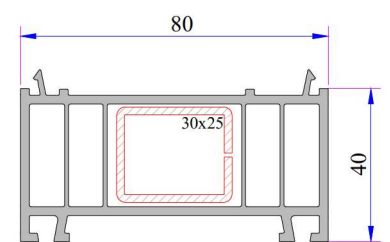
**Glazing Bead 48-50mm**  
Code: P.A.433.4500.600.0.HC



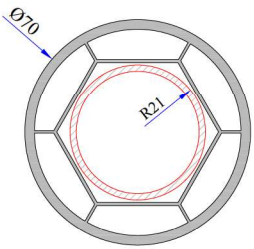
**90° Corner Profile**  
Code: P.A.080.5100.600.0.00.19



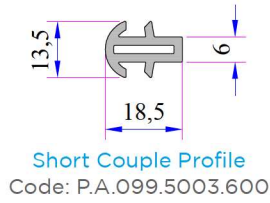
**Large Couple Profile**  
Code: P.A.080.5000.600.0.00.19



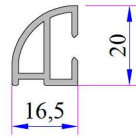
**Frame Lifting Profile**  
Code: P.A.080.5300.600.0.00.19



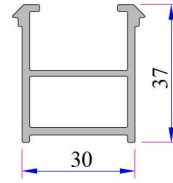
**Pipe Profile**  
Code: P.A.070.5106.600



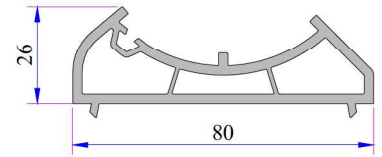
**Short Couple Profile**  
Code: P.A.099.5003.600



**Offset Profile**  
Code: P.A.900.6307.600

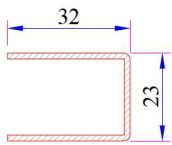


**Frame Montage Profile**  
Code: P.A.060.5301.600.0.00.19

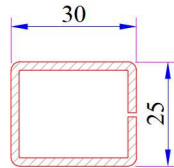


**Angled Pipe Adaptor Profile**  
Code: P.A.080.5104.600.0.00.19

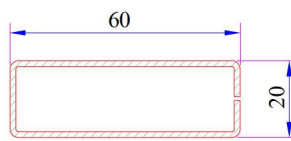
**883 Penwood Re-Inforcement Profiles**



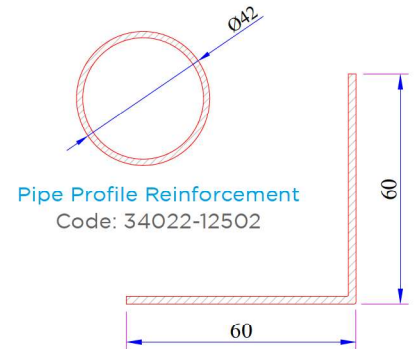
**Lap Joint Profile Reinforcement**  
Code: ???



**Frame Lifting Profile Reinforcement**  
Code: 34022-12119



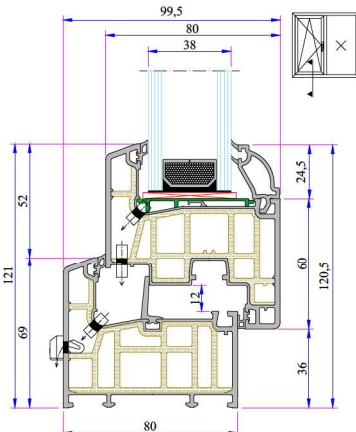
**Large Coupling Profile Reinforcement**  
Code: 34022-12106



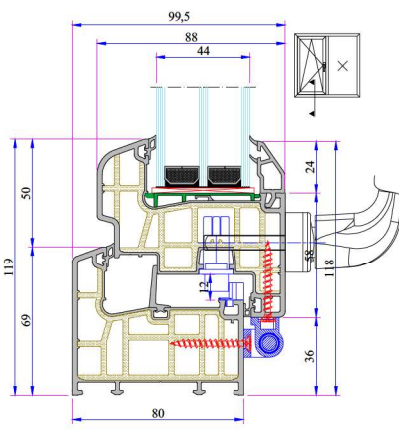
**Pipe Profile Reinforcement**  
Code: 34022-12502

**90° Corner Profile Reinforcement**  
Code: 34022-12306

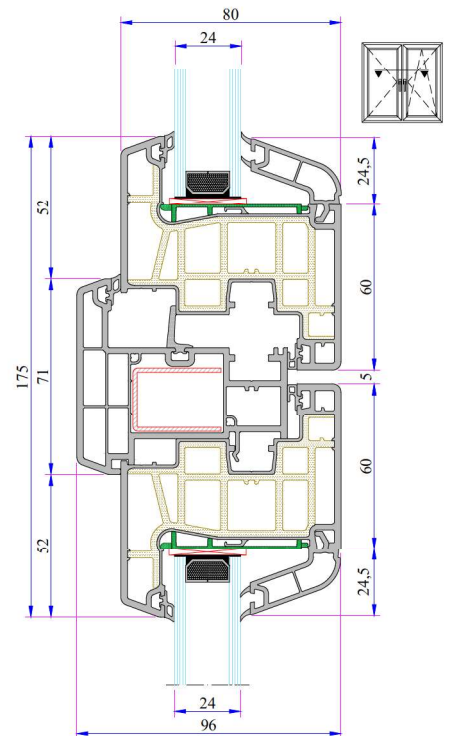
**883 Penwood Installation**



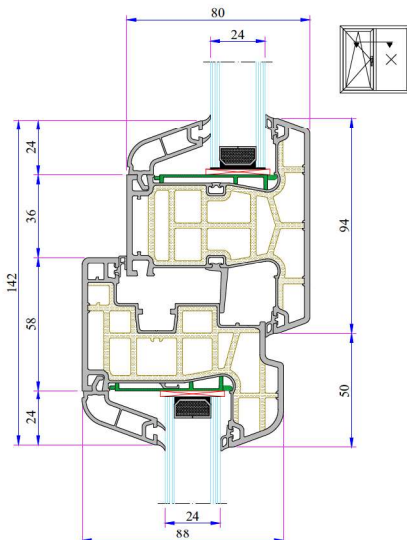
**Frame - Sash Installation**



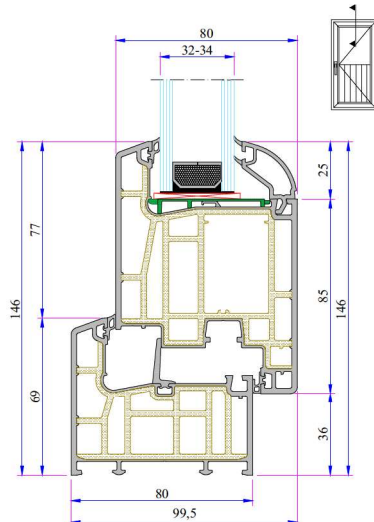
**Frame - Offset Type Sash Installation**



**Sash - Lap Joint - Sash Installation**

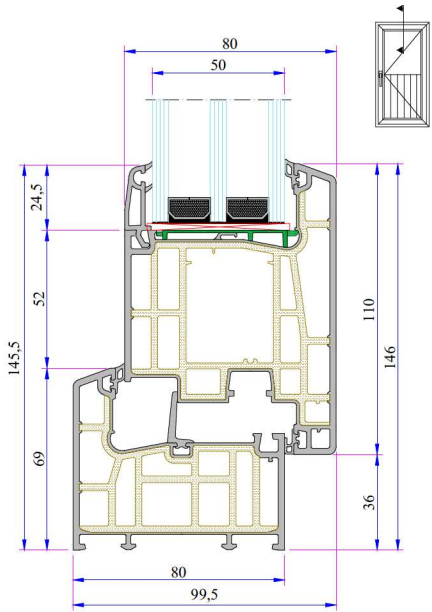


**Mullion - Offset Type Sash Installation**

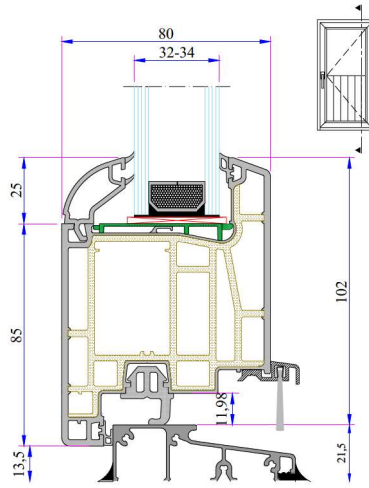


**Frame - Door Sash Installation**

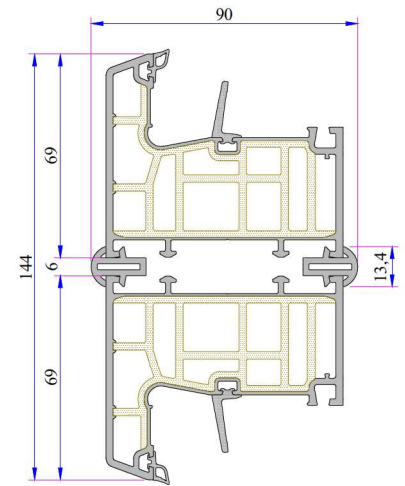
# PENWOOD 883 SERIES PVC PROFILE SYSTEM



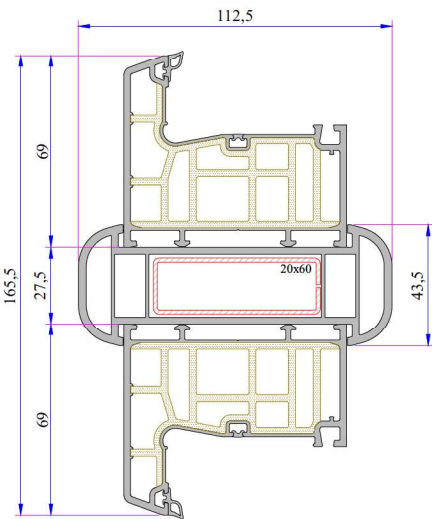
Frame - Outward Opening Door Sash Installation



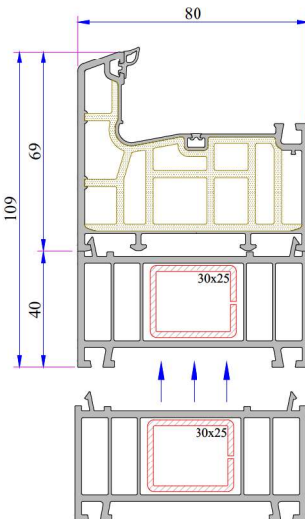
Aluminium Threshold Profile Installation



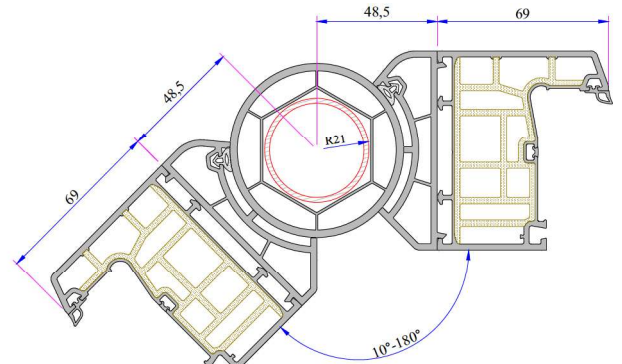
Short Coupling Profile Installation



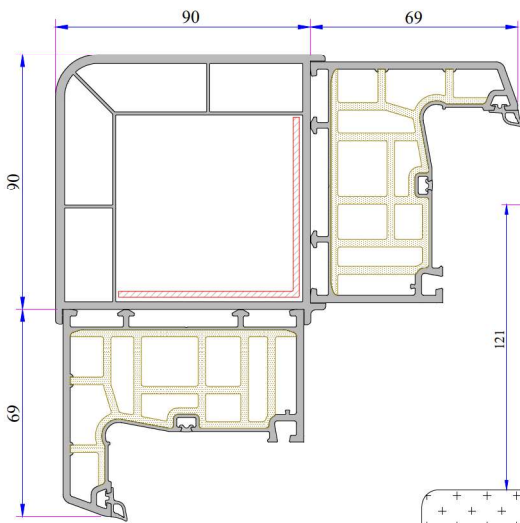
Large Coupling Profile Installation



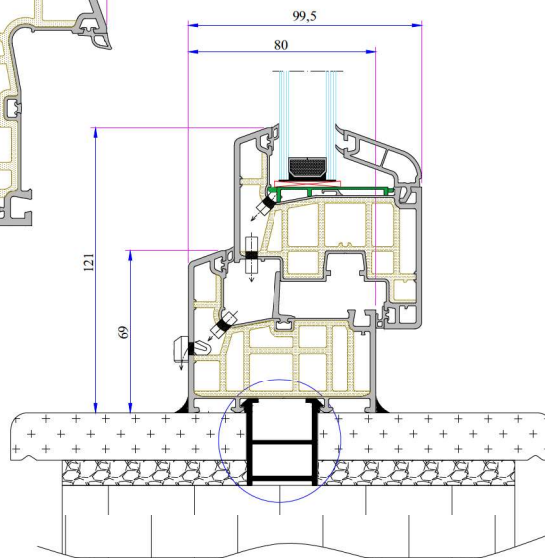
Frame Lifting Profile Installation



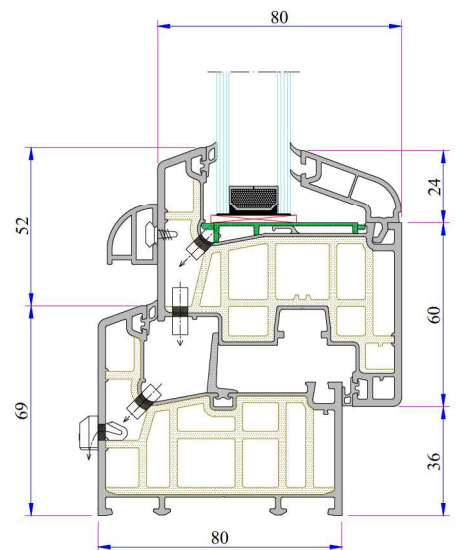
135° Corner Profile Installation



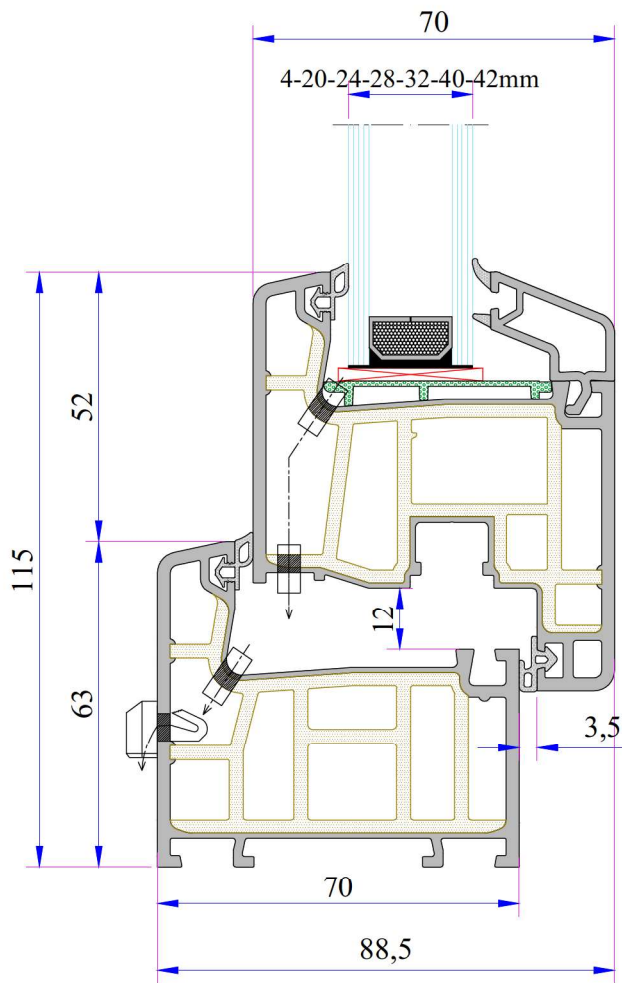
90° Corner Profile Installation



Frame Montage Profile Installation



Offset Type Profile Profile Installation



## TECHNICAL

### Penwood 750 SERIES

**Profile Width:** 70 mm

**Number of chambers:** 5 chambers system

**Profile Class:** B Class (TS EN 12608-1)

**Seal Type:** External / Internal double seal system

**Seal Type and Color:** TPE - Grey /Black

**Glass Thickness (mm):** 4, 20, 24, 28, 32, 40, 42 mm

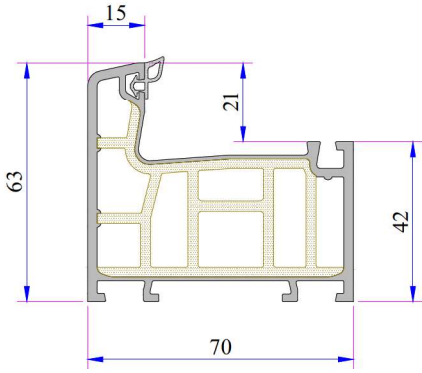
**The thermal insulation Uf:** 1,1W/m<sup>2</sup>K

**Uw:** 0,89 W/m<sup>2</sup>K

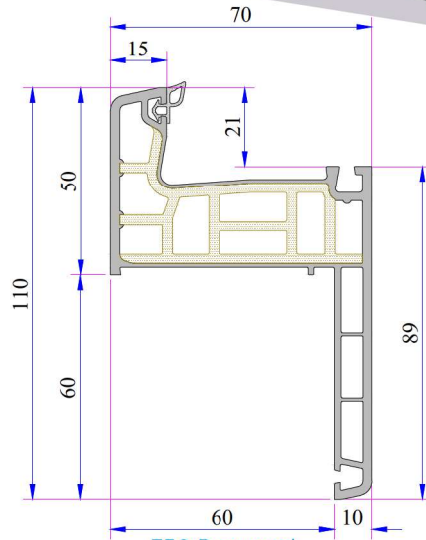
## INSTRUCTION

- 70 mm profile system. Because of the composite profile extruded together, No need for extra metal reinforcement inside.
- No need for reinforcement cutting screwing unit and workman.
- Compared with metal reinforcement system profile, it has %30 more advantages with max heat-sound and water insulation.
- Just cut and weld. You do not need Metal Reinforcement and extra stock area for Metal Reinforcement.
- Possibility to install single 4-6 mm or double glazing 20, 24, 28, 32, 40, 42 mm with different thickness of glazing bead.
- It has water drainage channel, it can be directly drilled after cutting.
- Color range for laminated products.
- It's quality is accredited by national and international certificates.

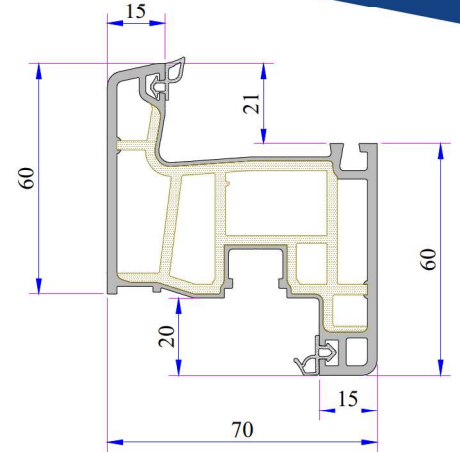
# PENWOOD 750 SERIES PVC PROFILE SYSTEM



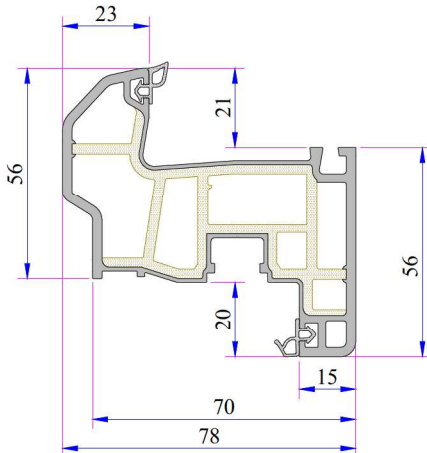
**750 Penwood Frame Profile**  
Code: P.A.750.1000.600.2.BC.03



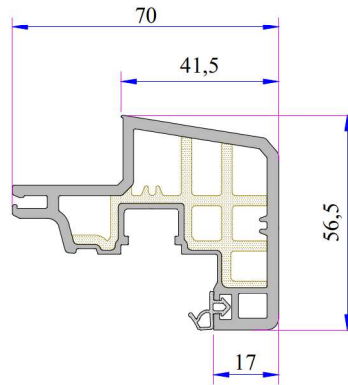
**750 Penwood Frame Profile with Sill**  
Code: P.A.750.1200.600.2.BC.03



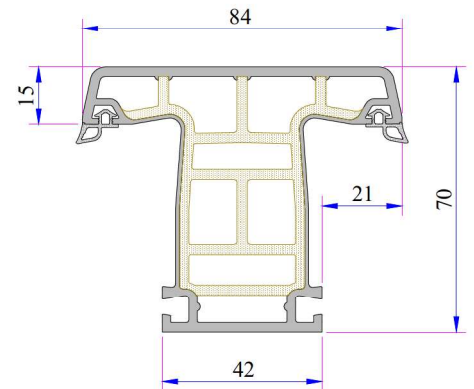
**750 Penwood Sash Profile**  
Code: P.A.750.2000.600.2.BC.03



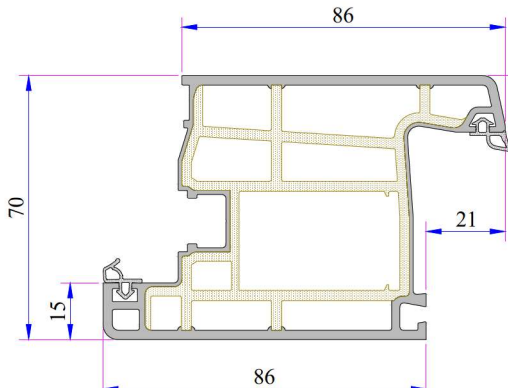
**750 Penwood Offset Type Sash Profile**  
Code: P.A.750.2200.600.2.BC.03



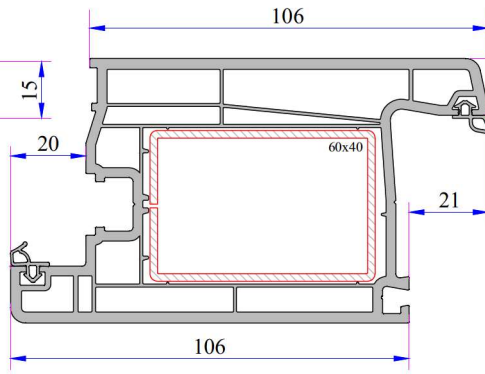
**750 Penwood Glazing Sash Profile**  
Code: P.A.750.2001.600.2.BC.03



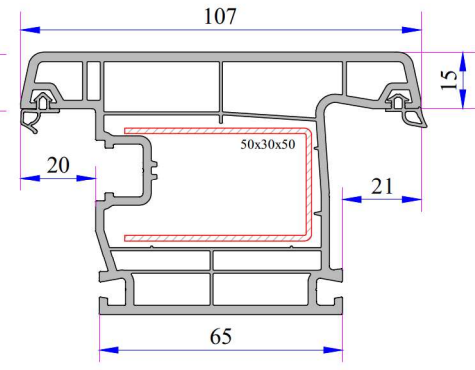
**750 Penwood Mullion Profile**  
Code: P.A.750.3000.600.2.BC.03



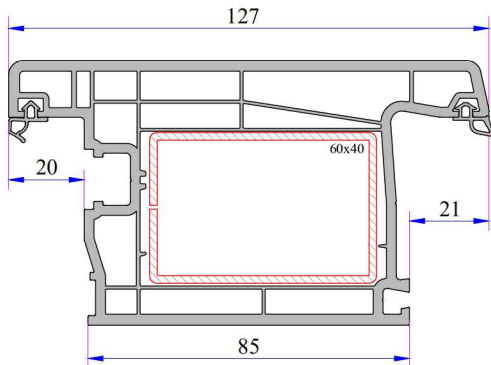
**750 Penwood Door Sash Profile**  
Code: P.A.750.2100.600.2.BC.03



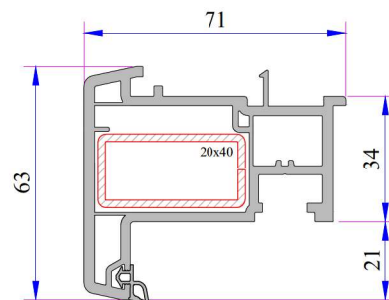
**Super Door Sash Profile**  
Code: P.A.750.2103.600.0.BC.03



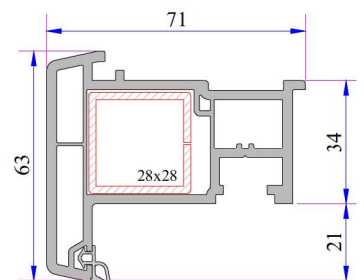
**Outward Opening Door Sash Profile**  
Code: P.A.750.2101.600.0.BC.03



**Outward Opening Super Door Sash Profile**  
Code: P.A.752.2104.600.0.BC.03

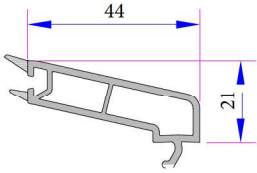


**Static Lap Joint Profile (Spiked)**  
Code: P.A.750.3101.600.0.BC.19



**Lap Joint Profile**  
Code: P.A.750.3100.600.0.BC.19

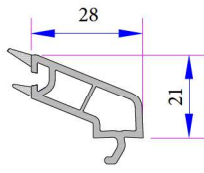
# PENWOOD 750 SERIES PVC PROFILE SYSTEM



**Single Glazing Bead 4-6 mm**

Code:

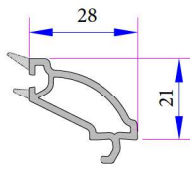
P.A.750.4000.600.0.HC



**Double Glazing Bead 20 mm**

Code:

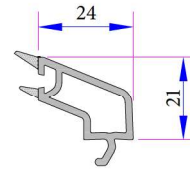
P.A.750.4100.600.0.HC



**Dec. Double Glazing Bead 20 mm**

Code:

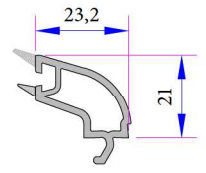
P.A.750.4102.600.0.HC



**Double Glazing Bead 24 mm**

Code:

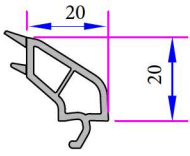
P.A.750.4200.600.0.HC



**Dec. Glazing Bead 24 mm**

Code:

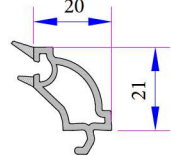
P.A.750.4204.600.0.HC



**Double Glazing Bead 28 mm**

Code:

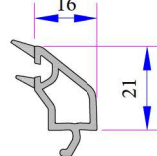
P.A.101.4100.600.0.HC



**Dec. Double Glazing Bead 28 mm**

Code:

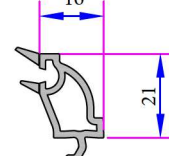
P.A.101.4102.600.0.HC



**Triple Glazing Bead 32 mm**

Code:

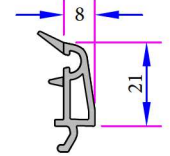
P.A.750.4500.600.0.HC



**Dec. Triple Glazing Bead 32 mm**

Code:

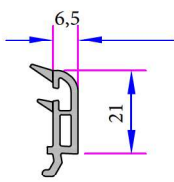
P.A.101.4202.600.0.HC



**Triple Glazing Bead 40 mm**

Code:

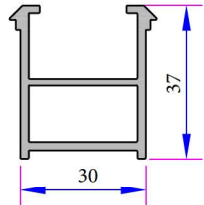
P.A.101.4500.600.0.HC



**Triple Glazing Bead 42 mm**

Code:

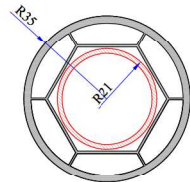
P.A.532.4500.600.0.HC



**Frame Montage Profile**

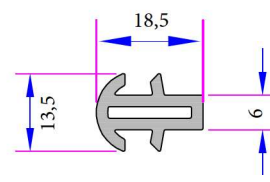
Code:

P.A.060.5301.600.0.00.19



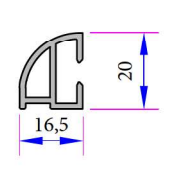
**Pipe Profile**

Code: P.A.070.5106.600



**Coupling Profile**

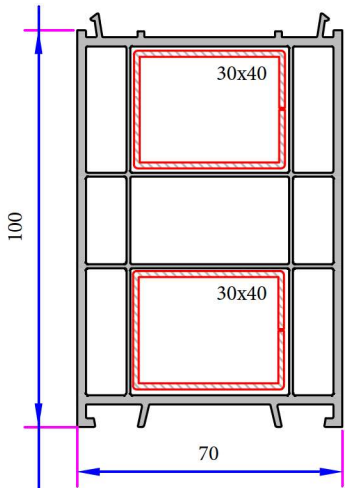
Code: P.A.099.5003.600



**Offset Profile**

Code:

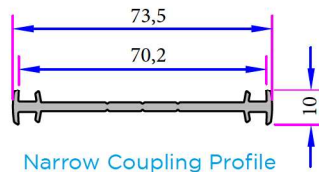
P.A.900.6307.600



**Frame Lifting Profile 100 mm**

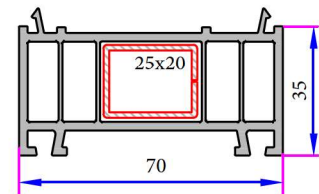
Code:

P.A.070.5302.600.0.00.19



**Narrow Coupling Profile**

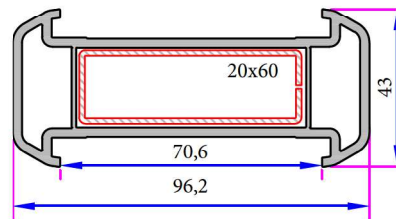
Code: P.A.070.5001.600



**Frame Lifting Profile 35 mm**

Code:

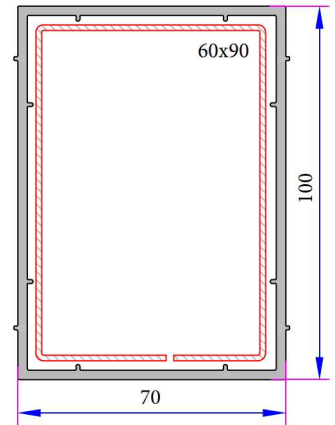
P.A.070.5300.600.0.00.19



**Large Coupling Profile**

Code:

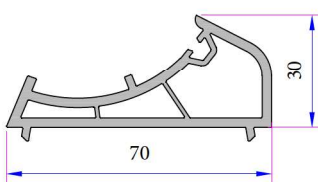
P.A.070.5000.600.0.00.19



**70x100 mm Box Profile**

Code:

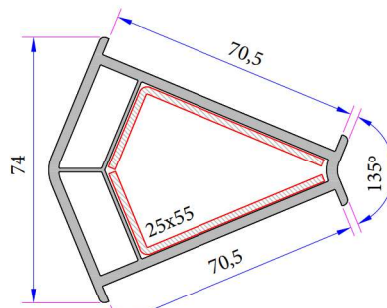
P.A.070.5202.600.0.00.19



**Corner Lag Profile**

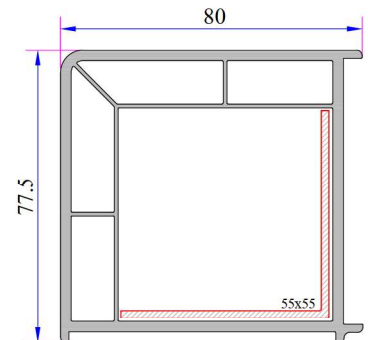
Code:

P.A.070.5104.600.0.00.19



**135° Corner Profile**

Code: P.A.070.5102.600.0.00.19



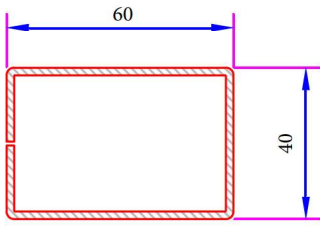
**90° Corner Profile**

Code: P.A.070.5100.600.0.00.19

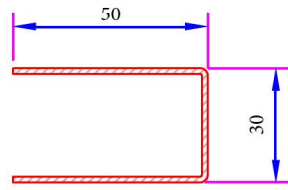


# PENWOOD 750 SERIES PVC PROFILE SYSTEM

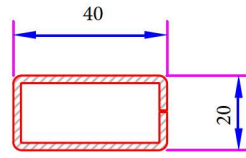
## 750 Penwood Re-Inforcement Profiles



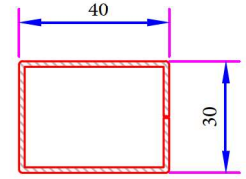
Outward Opening Super Door Sash Profile Reinforcement  
Code: 34022 - 12110



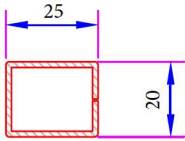
Outward Opening Door Sash Profile Reinforcement  
Code: 34022 - 12013



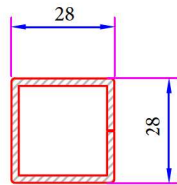
Lap Joint Frame Lifting Profile Reinforcement  
Code: 34022 - 12114



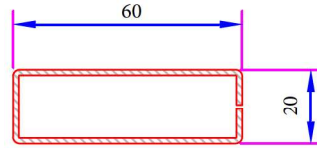
100mm Frame Lifting Reinforcement  
Code: 34022-12120



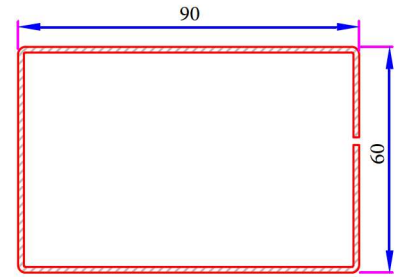
35mm Frame Lifting Reinforcement  
Code: 34022 - 12104



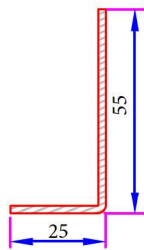
Lap Joint Profile Reinforcement  
Code: 34022 - 12113



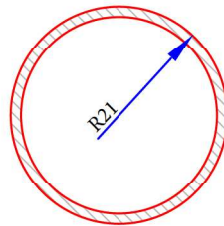
Large Coupling Profile Reinforcement  
Code: 34022 - 12106



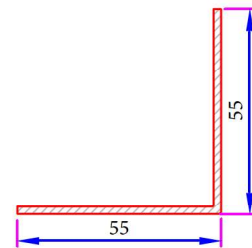
70x100 Box Profile Reinforcement  
Code: 34022-12121



135° Corner Profile Reinforcement  
Code: 34022 - 12303

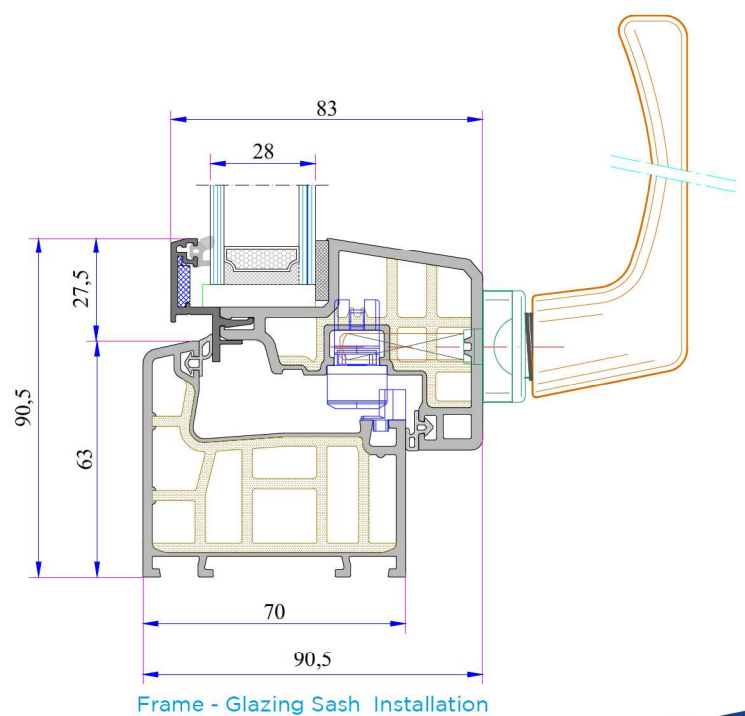
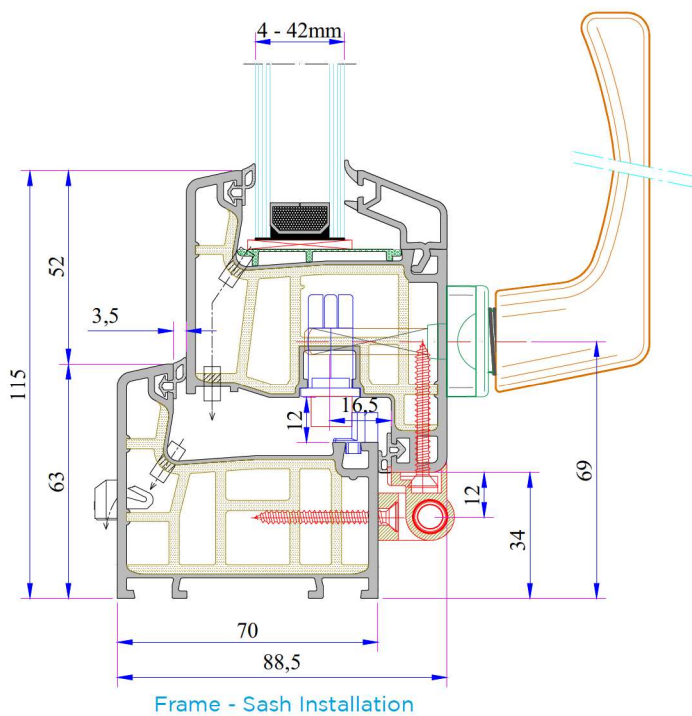


Pipe Profile Reinforcement  
Code: 34022 - 12502

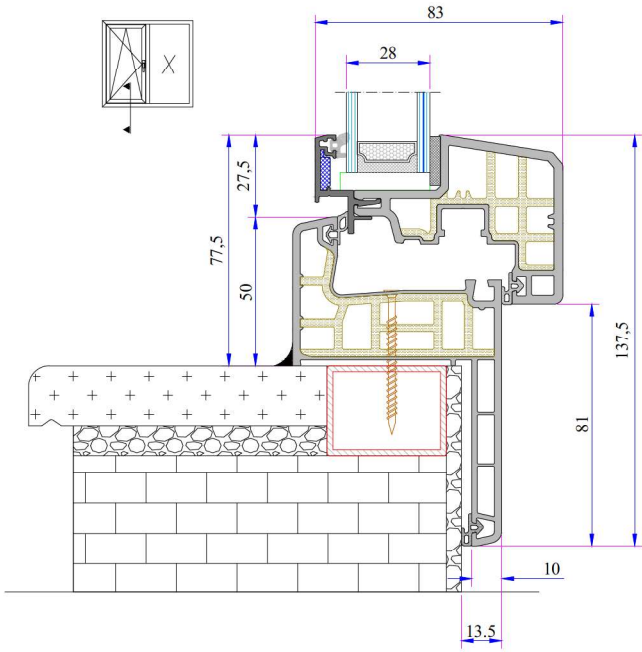


90° Corner Profile Reinforcement  
Code: 34022 - 12305

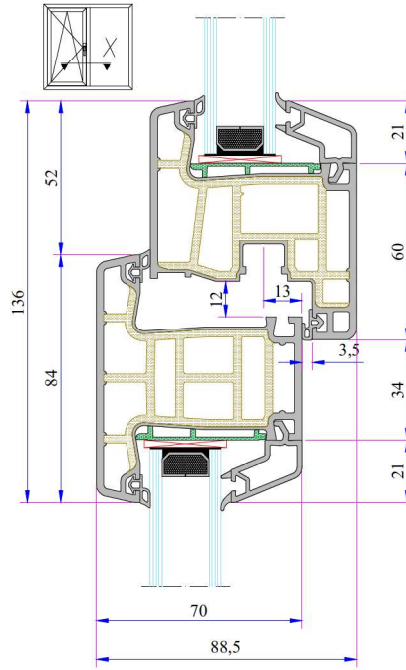
## 750 Penwood Installation



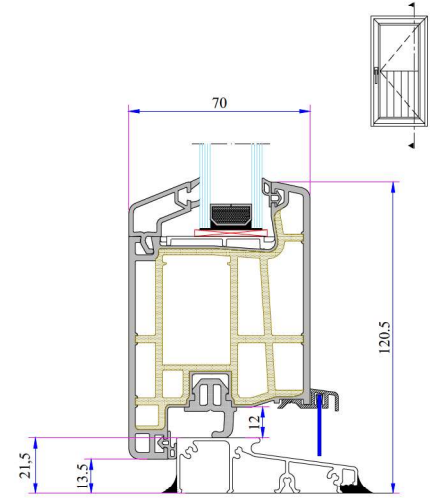
# PENWOOD 750 SERIES PVC PROFILE SYSTEM



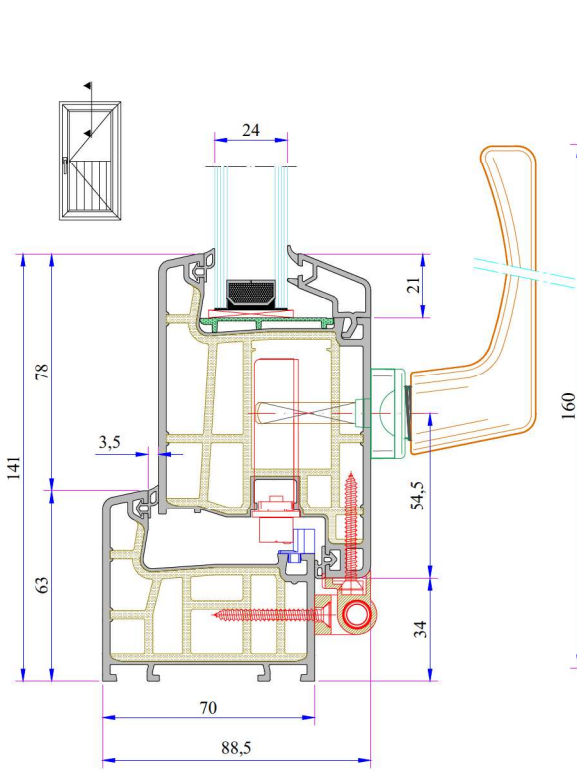
Frame With Sill - Glazing Sash Installation



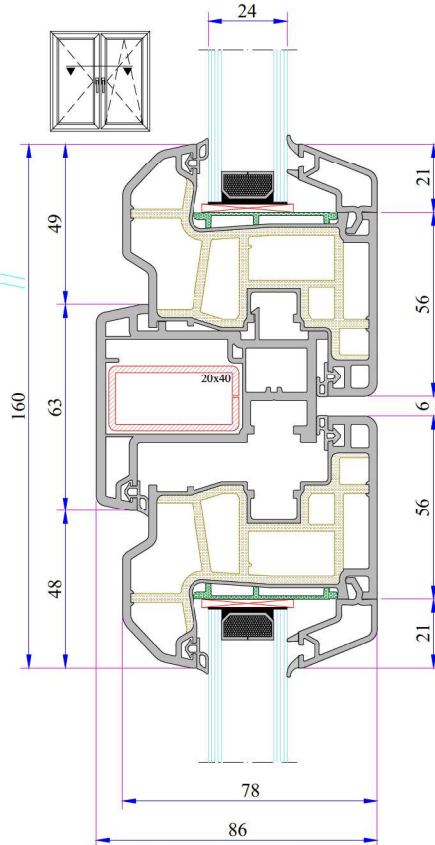
Mullion - Sash Installation



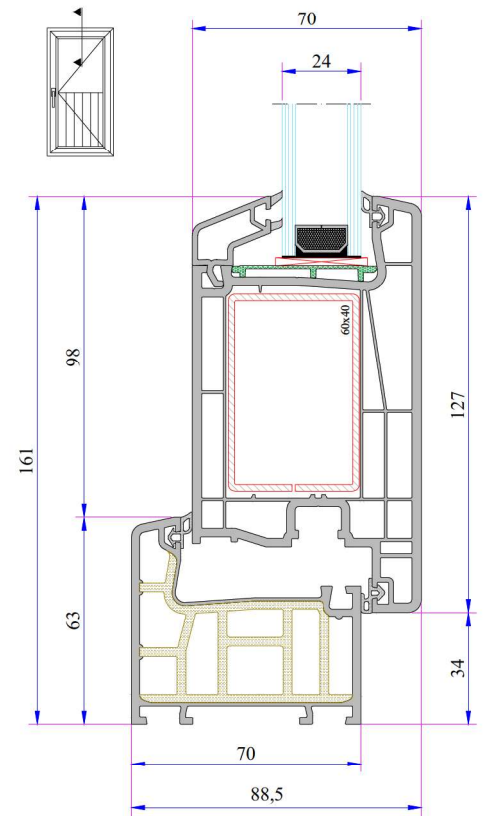
With Aluminium Threshold Frame Door Sash Installation



Frame - Door Sash Installation

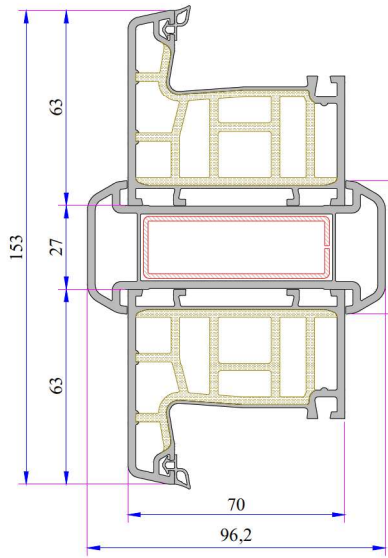


Offset Sash - Lap Joint Installation

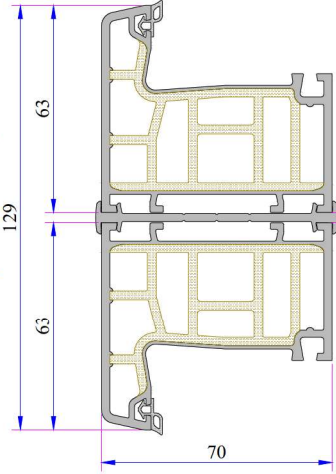


Outward Opening Super Door Sash - Frame Installation

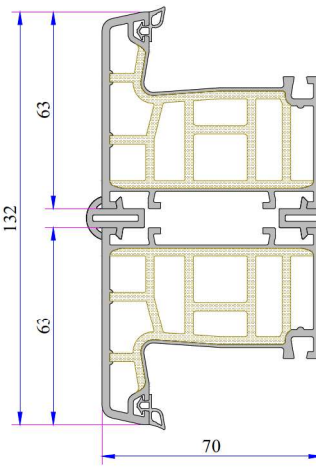
# PENWOOD 750 SERIES PVC PROFILE SYSTEM



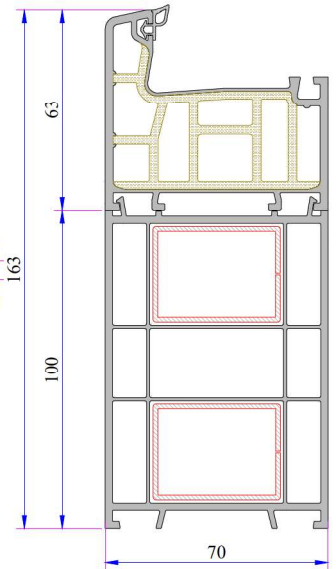
Large Coupling Profile Installation



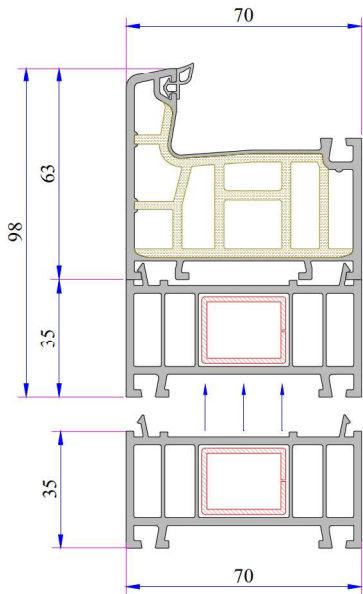
Narrow Coupling Profile Installation



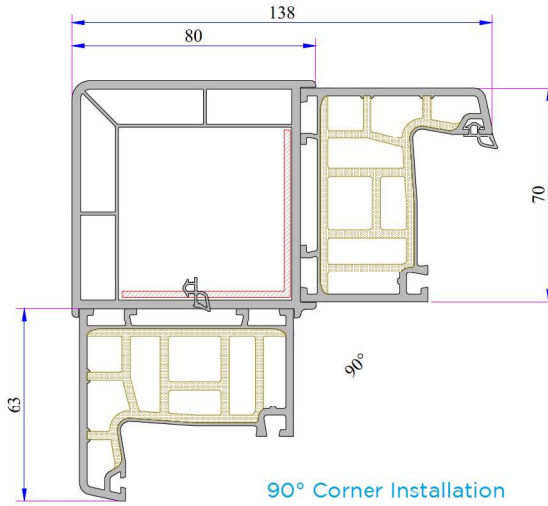
Short Coupling Installation



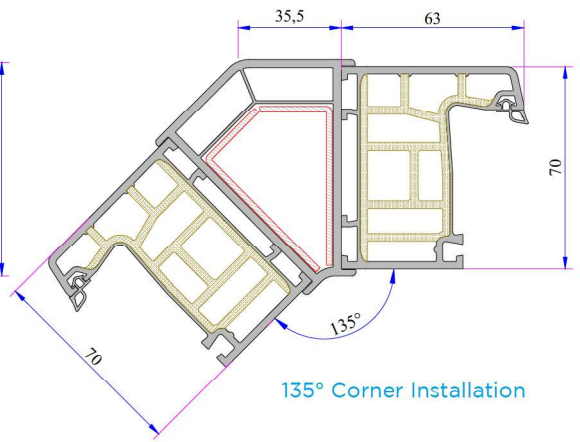
100 mm Frame Lifting Installation



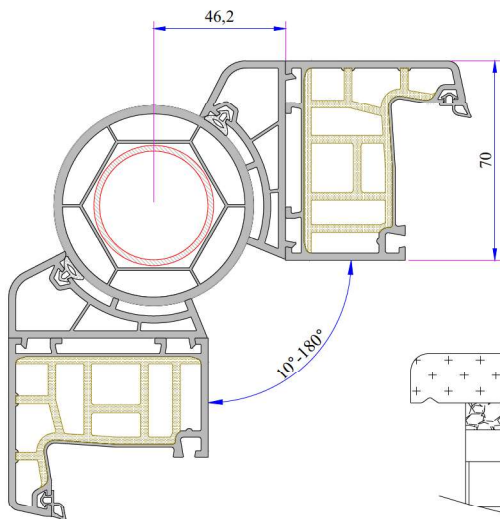
35 mm Frame Lifting Installation



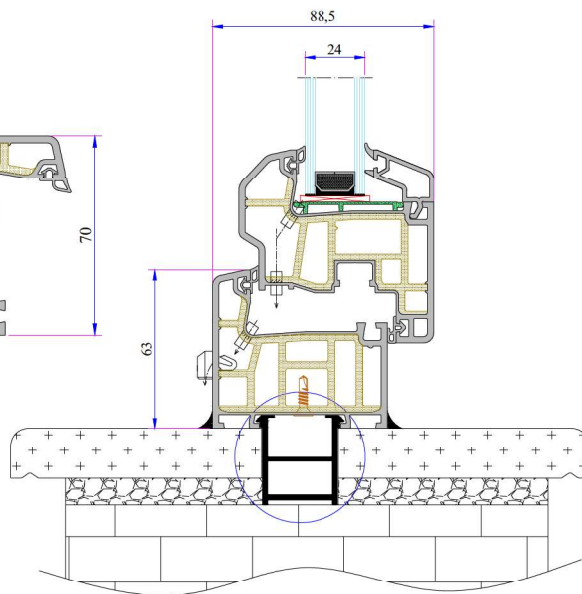
90° Corner Installation



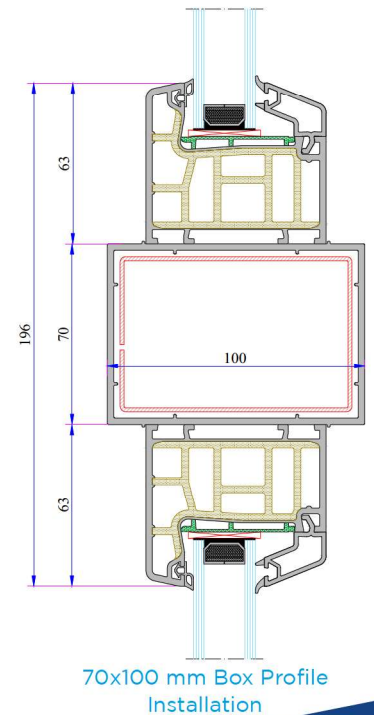
135° Corner Installation



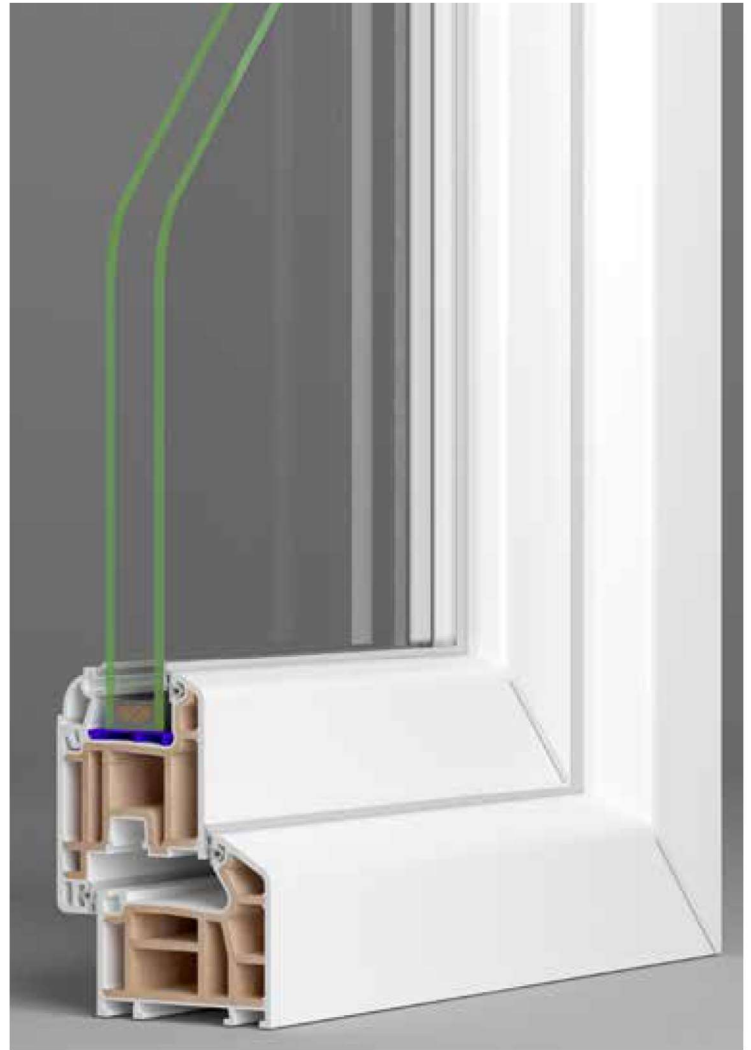
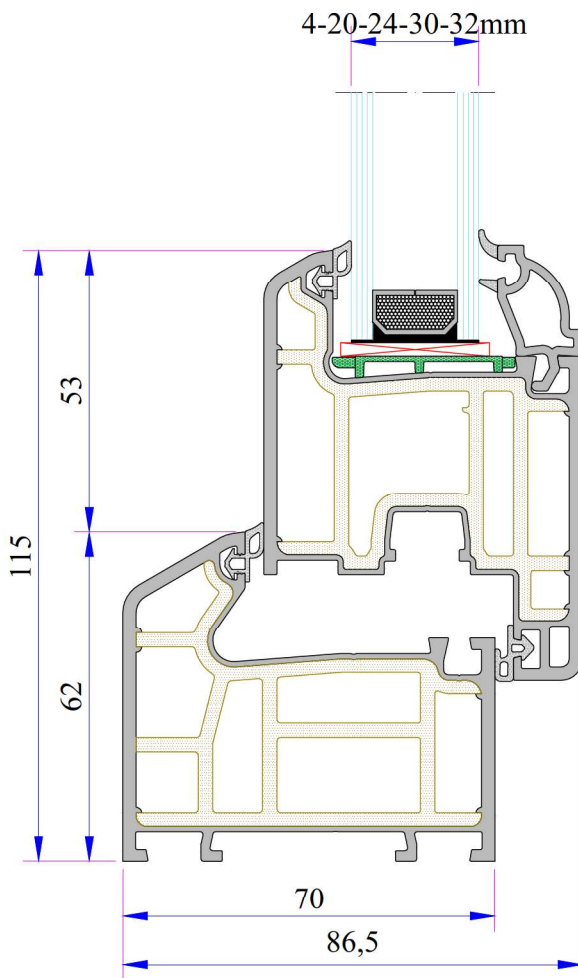
Corner Profile Installation



Frame Montage Profile Installation



70x100 mm Box Profile Installation



## TECHNICAL

### **Penwood 760 SERIES**

**Profile Width:** 70 mm

**Number of chambers:** 5 chambers system

**Profile Class:** B Class (TS EN 12608-1)

**Seal Type:** External / Internal double seal system

**Seal Type and Color:** TPE - Grey /Black

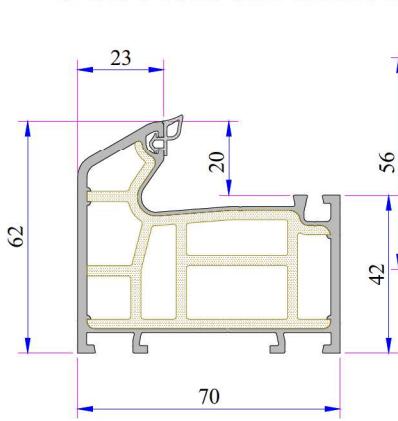
**Glass Thickness (mm):** 4, 20, 24, 30, 32 mm

**The thermal insulation Uf:** 1,26 W/m<sup>2</sup>K

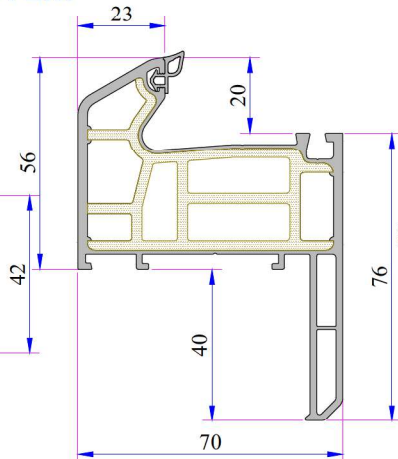
## INSTRUCTION

- 70 mm frame and 60 mm sash profile system. Because of the composite profile extruded together, no need for extra metal reinforcement inside.
- No need for reinforcement cutting unit, screwing Unit and workman.
- Compared with metal reinforcement system profile Penwood systems have %30 more advantages with max heat-sound and water insulation.
- Just cut and weld. You do not need Metal Reinforcement and extra stock area for Metal Reinforcement.
- Possibility to install single 4-6 mm or double glazing 20, 24, 28, 32 mm with different thickness of glazing bead.
- It has water drainage channel, it can be directly drilled after cutting.
- Color range for laminated products.
- It's quality is accredited by national and international certificates.

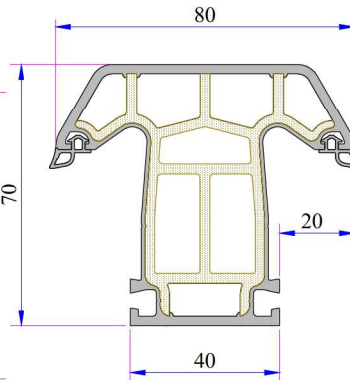
# PENWOOD 760 SERIES PVC PROFILE SYSTEM



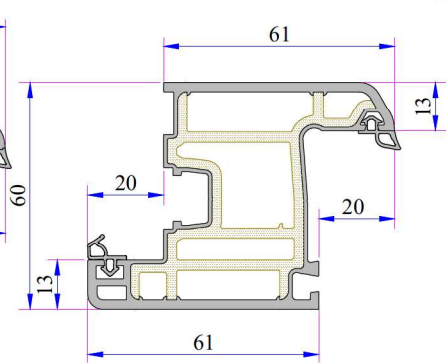
**760 Penwood Frame Profile**  
Code:  
P.A.706.1000.600.2.BC.03



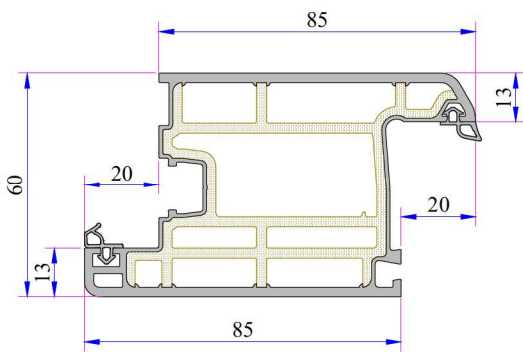
**760 Penwood Frame Profile With Sill**  
Code:  
P.A.706.1200.600.2.BC.03



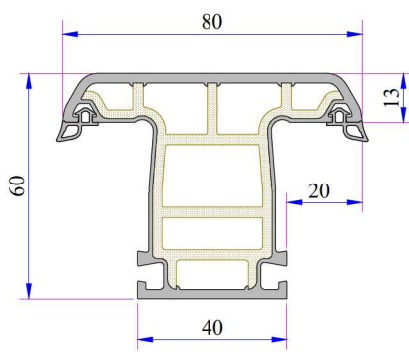
**760 Penwood Mullion Profile**  
Code:  
P.A.706.3000.600.2.BC.03



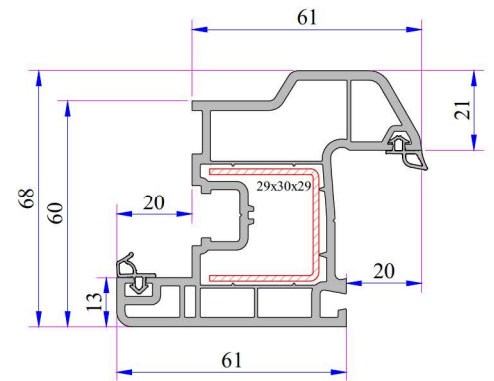
**760 Penwood Sash Profile**  
Code:  
P.A.632.2000.600.2.BC.03



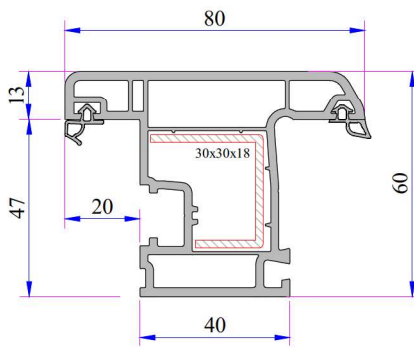
**760 Penwood Door Sash Profile**  
Code: P.A.632.2100.600.2.03



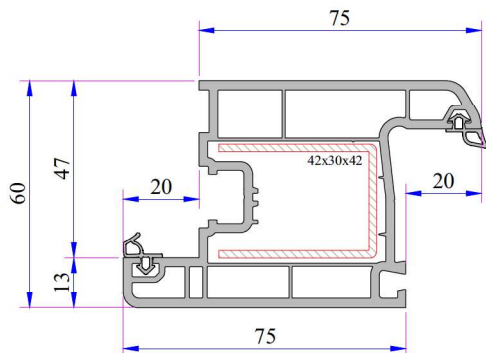
**760 Penwood Mullion For Door Profile**  
Code:  
P.A.632.3000.600.2.BC.03



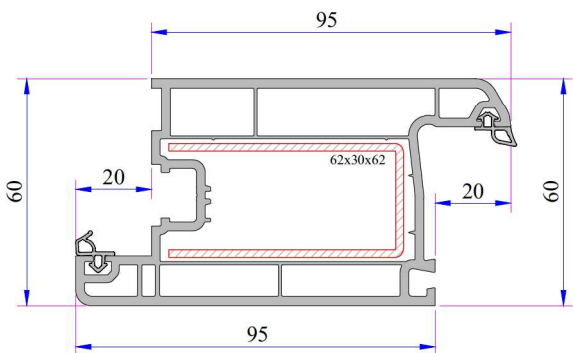
**Offset Type Sash Profile**  
Code:  
P.A.632.2200.600.0.BC.03



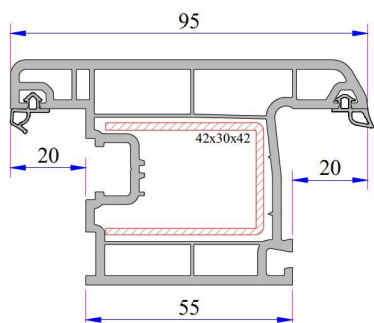
**22 Axis. Outward Opening Sash Profile**  
Code:  
P.A.632.2014.600.0.BC.03



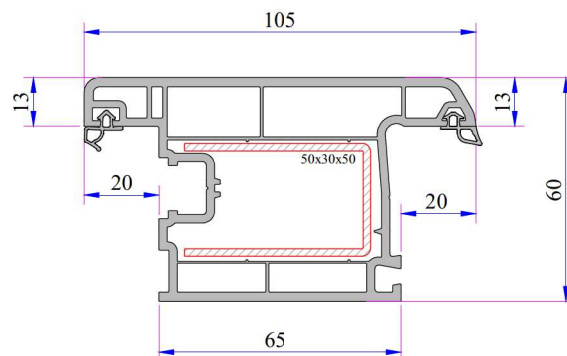
**Eco Door Sash Profile**  
Code:  
P.A.632.2107.600.0.BC.03



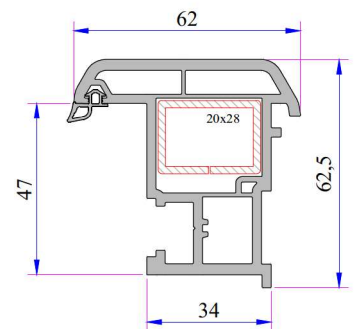
**Super Door Sash Profile**  
Code:  
P.A.632.2100.600.0.BC.03



**Eco Outward Opening Door Sash Profile**  
Code:  
P.A.632.2108.600.0.BC.03

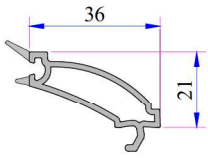


**Outward Opening Super Door Sash Profile**  
Code:  
P.A.632.2101.600.0.BC.03



**Lap Joint Profile**  
Code:  
P.A.632.3100.600.0.BC.19

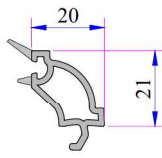
# PENWOOD 760 SERIES PVC PROFILE SYSTEM



Single Glazing  
Bead 4-6 mm

Code:

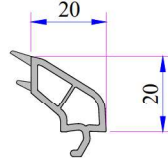
P.A.101.4002.600.0.HC



Dec. Double Glazing  
Bead 20 mm

Code:

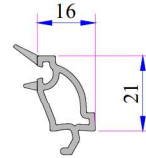
P.A.101.4102.600.0.HC



Double Glazing  
Bead 20 mm

Code:

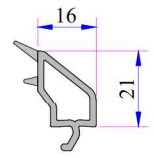
P.A.101.4100.600.0.HC



Dec. Double Glazing  
Bead 24 mm

Code:

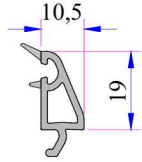
P.A.101.4202.600.0.HC



Double Glazing  
Bead 24 mm

Code:

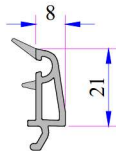
P.A.101.4200.600.0.HC



Triple Glazing Bead 30 mm

Code:

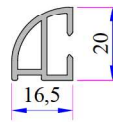
P.A.332.4100.600.0.HC



Triple Glazing Bead 32 mm

Code:

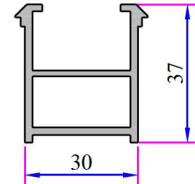
P.A.101.4500.600.0.HC



Offset Profile

Code:

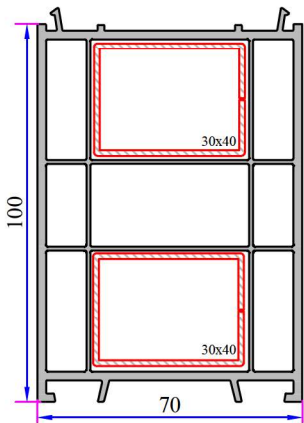
P.A.900.6307.600.HC



Frame Montage Profile

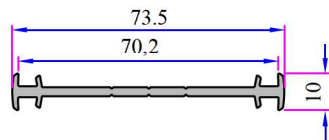
Code:

P.A.060.5301.600.0.00.19



Frame Lifting Profile

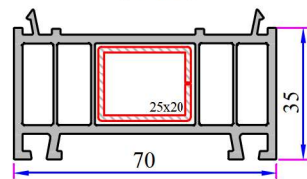
Code: P.A.070.5302.600.0.19



Narrow Coupling Profile

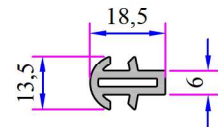
Code:

P.A.070.5001.600  
(White)



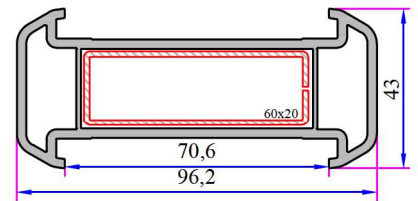
Frame Lifting Profile

Code: P.A.070.5300.600.0.00.19



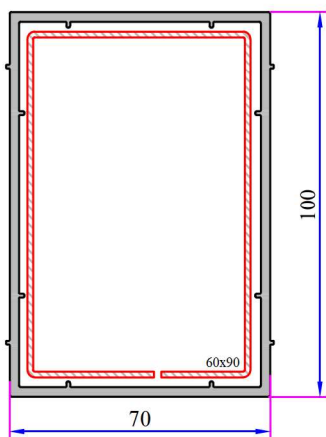
Coupling Profile

Code: P.A.099.5003.600



Large Coupling Profile

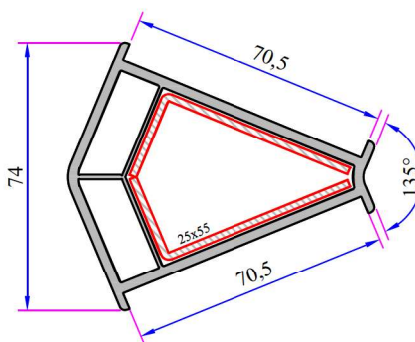
Code: P.A.070.5000.600.0.00.19



70x100 Box Profile

Code:

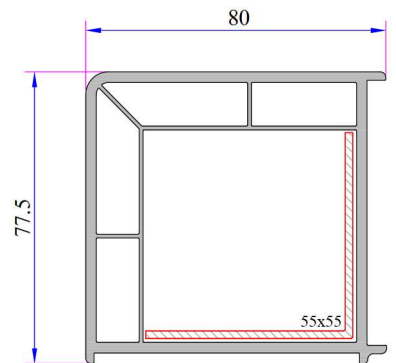
P.A.070.5202.600.0.00.19



135° Corner Profile

Code:

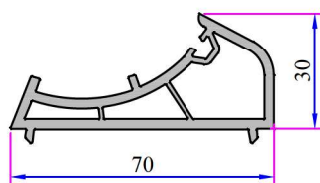
P.A.070.5102.600.0.00.19



90° Corner Profile

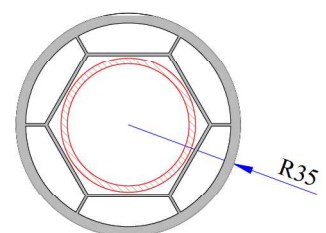
Code:

P.A.070.5100.600.0.00.19



Corner Lag Profile

Code: P.A.070.5104.600.0.00.19

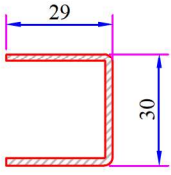


Pipe Profile

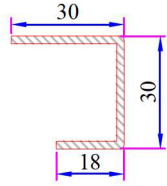
Code: P.A.070.5106.600

# PENWOOD 760 SERIES PVC PROFILE SYSTEM

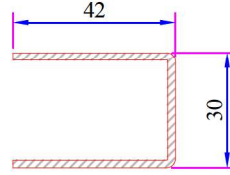
## 760 Penwood Re-Inforcement Profiles



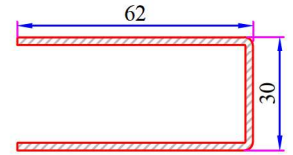
Offset Type Sash Profile Reinforcement  
Code: 34022 - 12002



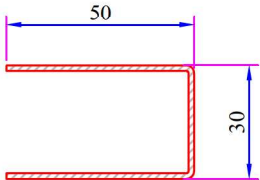
Outward Opening Sash Profile Reinforcement  
Code: 34022 - 12022



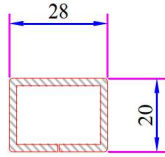
Eco Door Sash Outward Opening Profile Reinforcement  
Code: 34022 - 12023



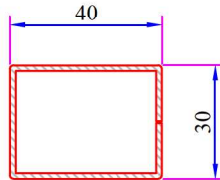
Super Door Sash Profile Reinforcement  
Code: 34022 - 12029



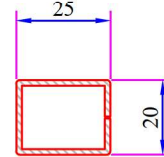
Outward Opening Door Sash Profile Reinforcement  
Code: 34022 - 12013



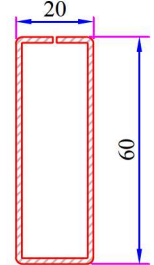
Lap Joint Profile Reinforcement  
Code: 34022 - 12118



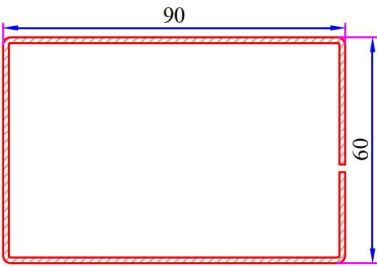
100 mm Frame Lifting Profile Reinforcement  
Code: 34022-12120



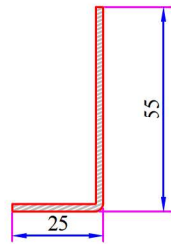
35 mm Frame Lifting Profile Reinforcement  
Code: 34022 - 12104



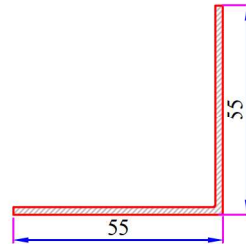
Large Coupling Profile Reinforcement  
Code: 34022 - 12106



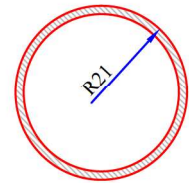
70x100 mm Box Profile Reinforcement  
Code: 34022-12121



135° Corner Profile  
Code: 34022 - 12303

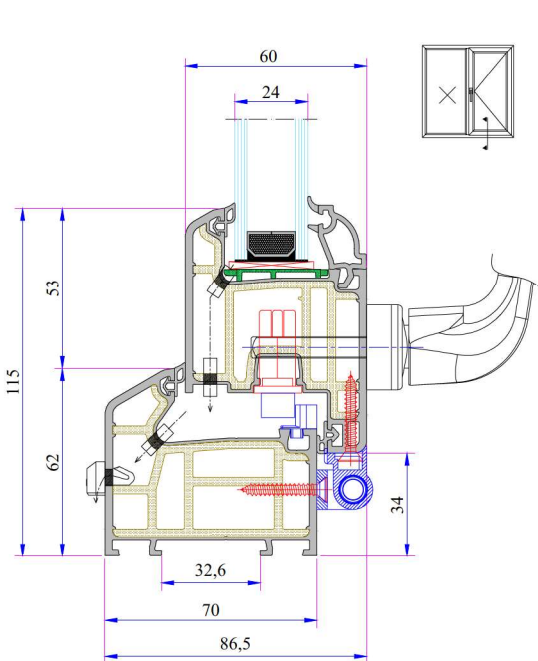


90° Corner Profile Reinforcement  
Code: 34022 - 12305

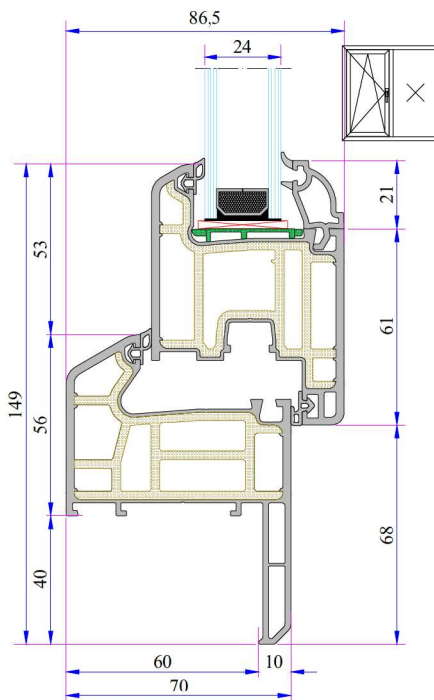


Pipe Profile Reinforcement  
Code: 34022 - 12502

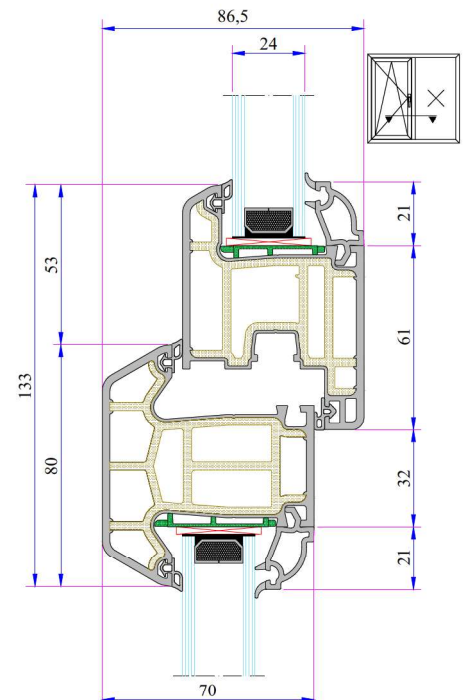
## 760 Penwood Installation



Frame - Sash Installation

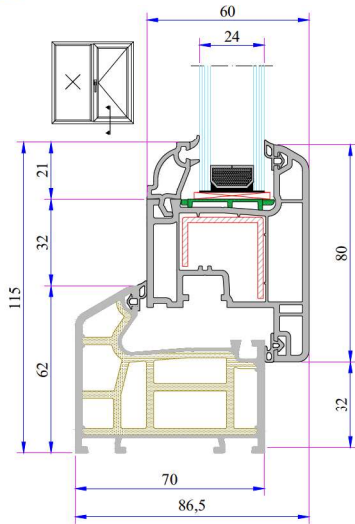


Frame With Sill and Sash

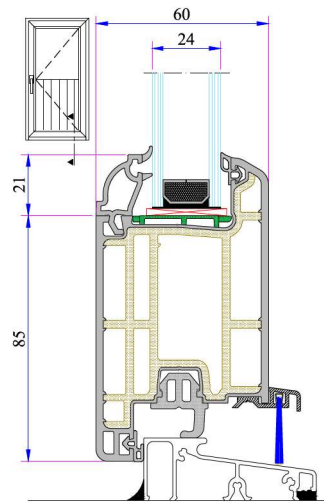


Mullion - Sash Installation

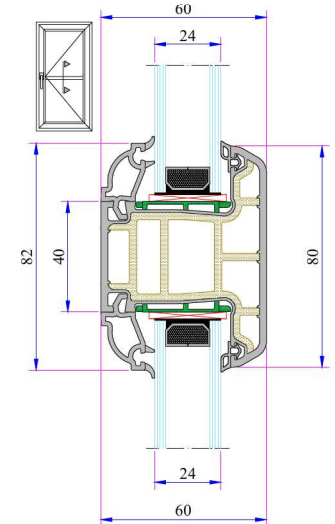
# PENWOOD 760 SERIES PVC PROFILE SYSTEM



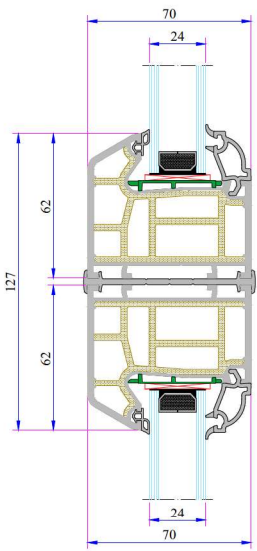
Frame - Outward Opening Sash Installation



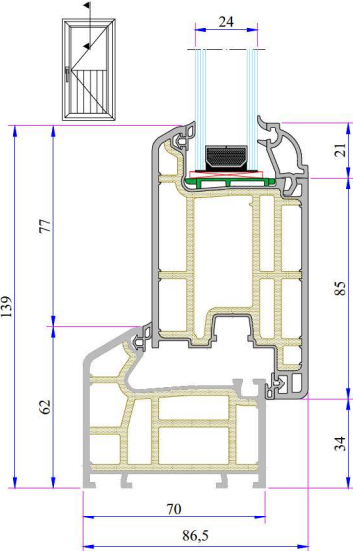
With Aluminium Threshold Frame - Door Sash Installation



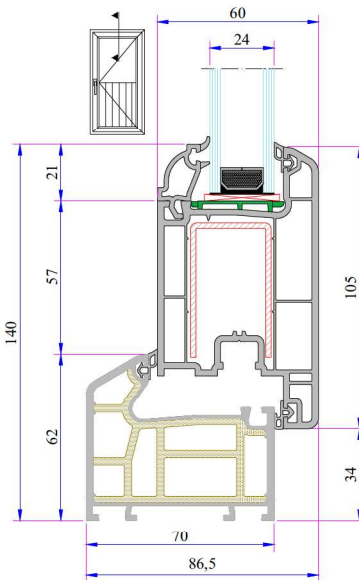
Door Sash - Mullion Installation



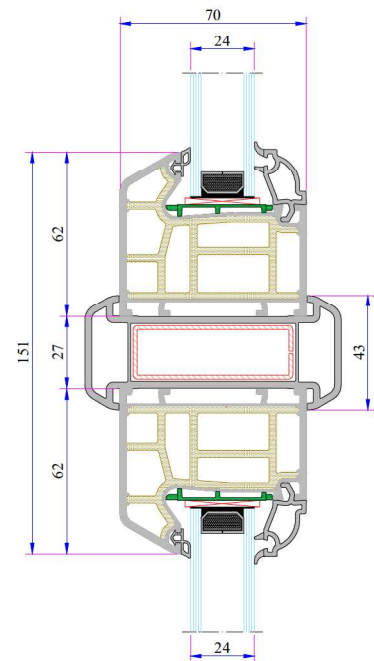
Narrow Coupling Profile Installation



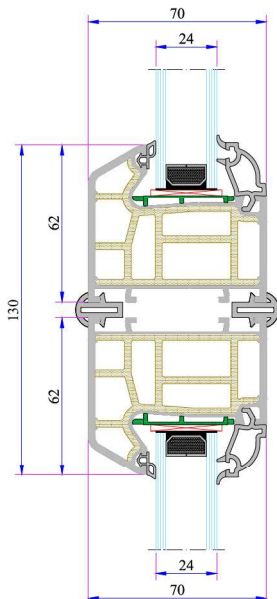
Frame - Door Sash Installation



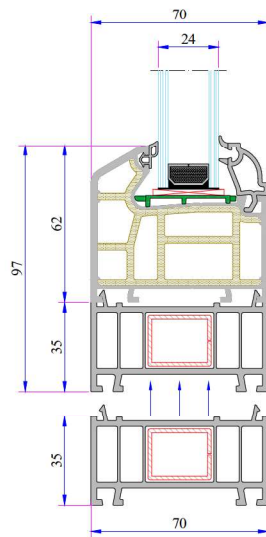
Frame - Outward Opening Door Sash Installation



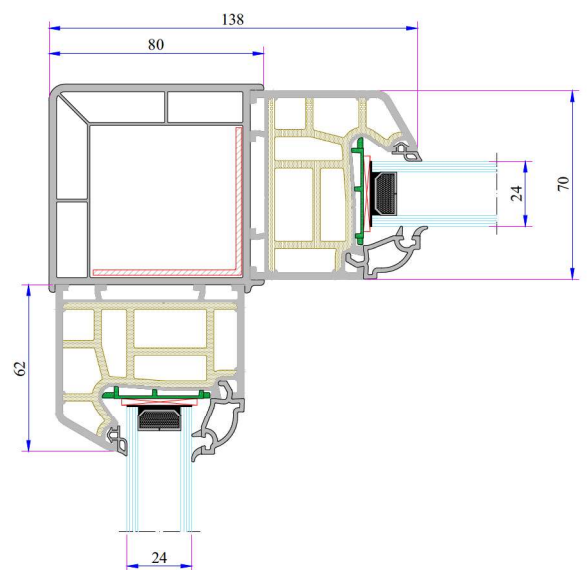
Large Coupling Profile Installation



Short Coupling Profile Installation



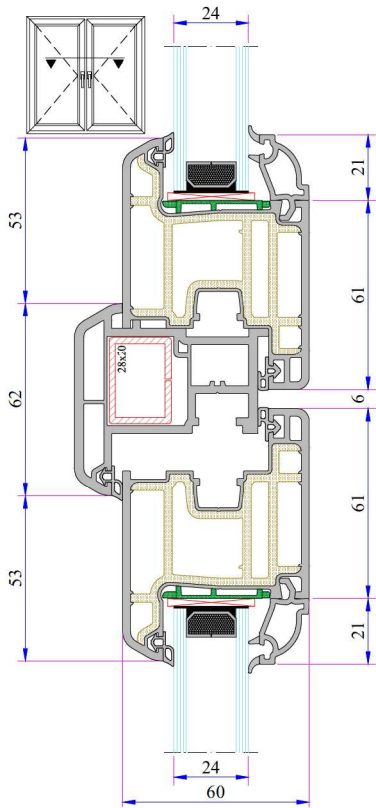
35 mm Frame Lifting Profile



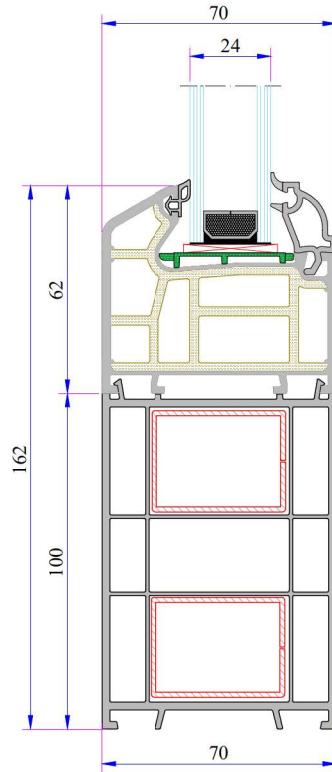
90° Corner Installation



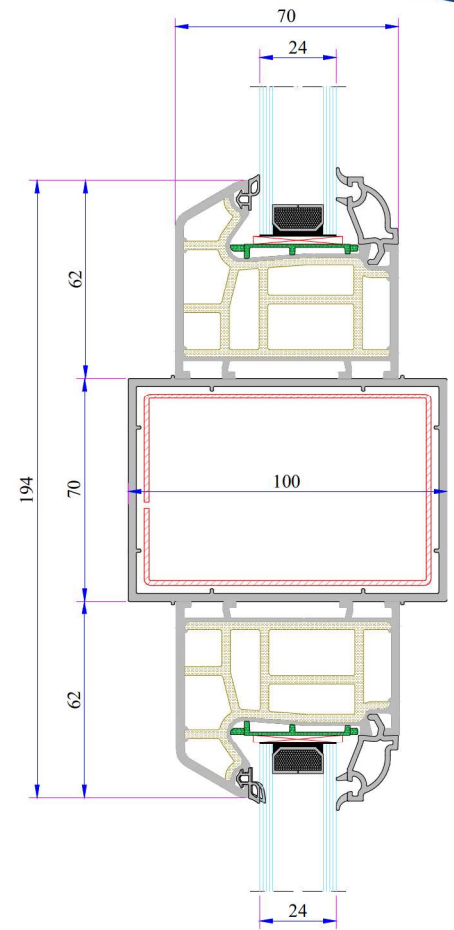
# PENWOOD 760 SERIES PVC PROFILE SYSTEM



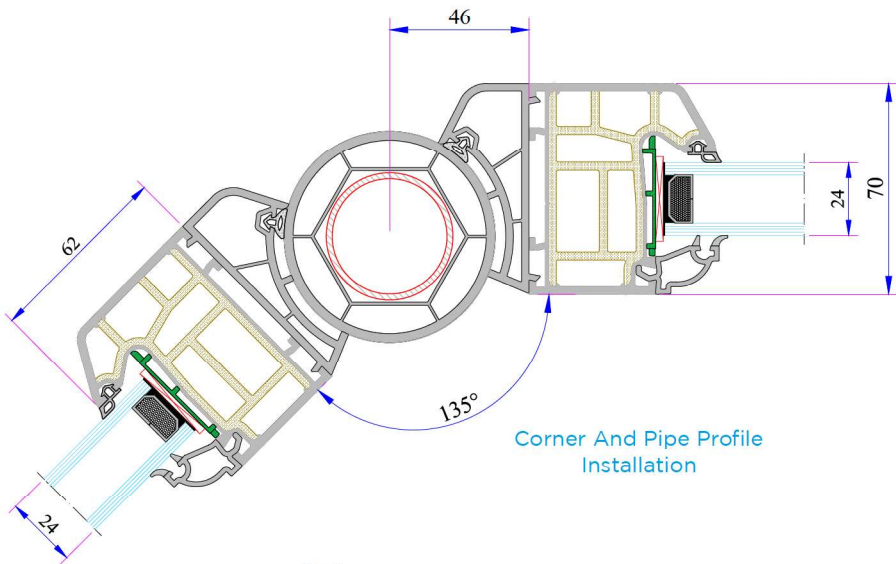
Sash - Lap Joint And Sash Installation



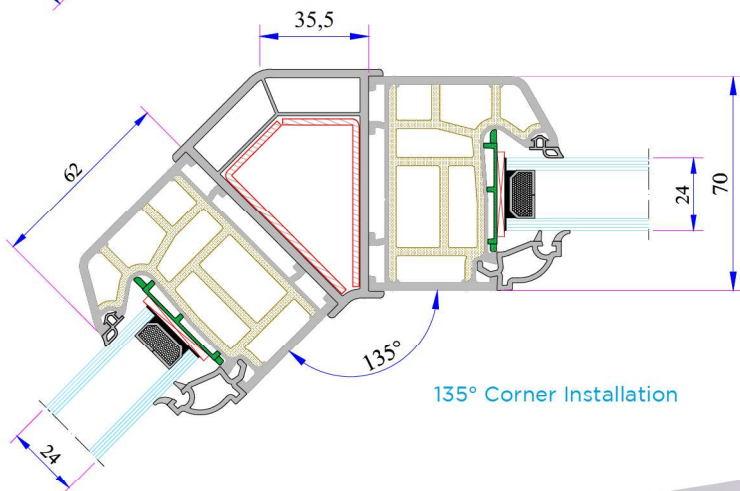
100 mm Frame Lifting Profile Installation



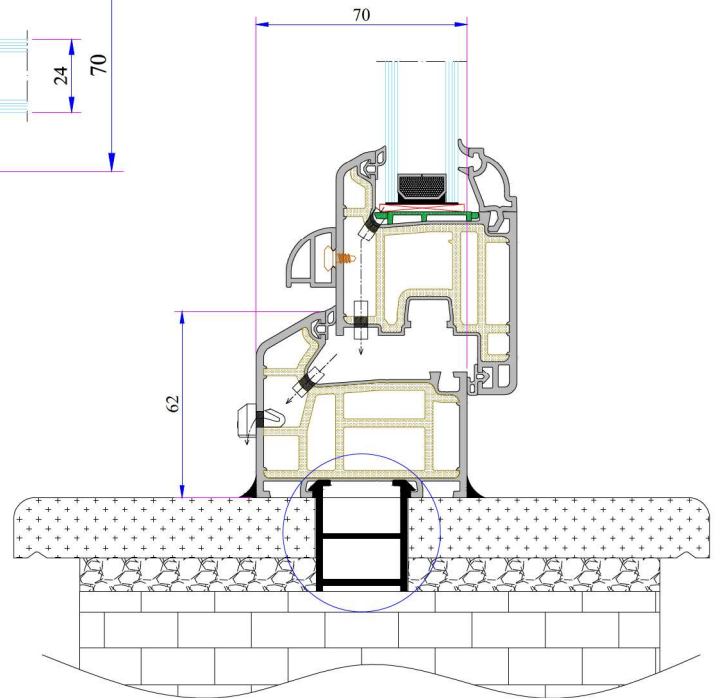
Box Profile Installation



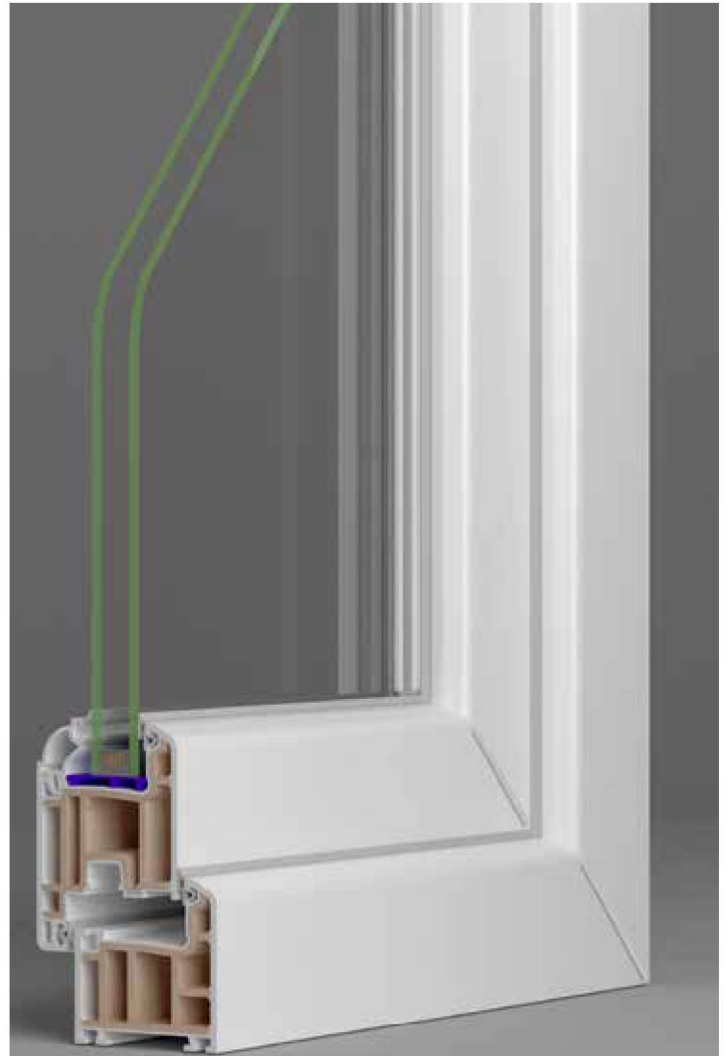
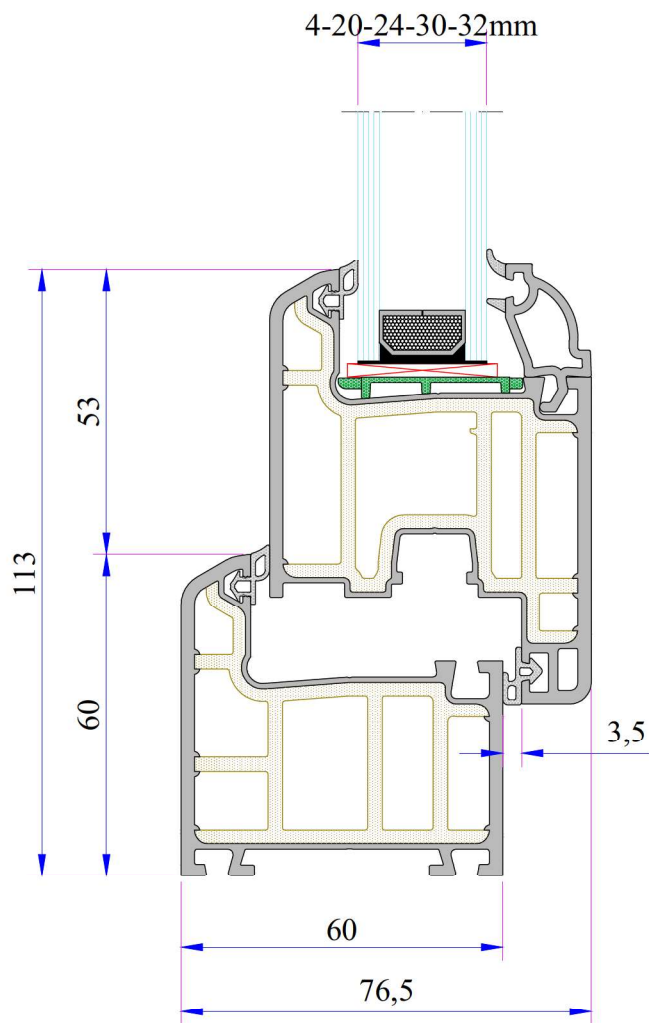
Corner And Pipe Profile Installation



135° Corner Installation



Offset Profile and Frame Montage Profile Installation



## TECHNICAL

### Penwood 632 SERIES

**Profile Width:** 60 mm

**Number of chambers:** 4 chambers system

**Profile Class:** B Class (TS EN 12608-1)

**Seal Type:** External / Internal double seal system

**Seal Type and Color:** TPE - Grey /Black

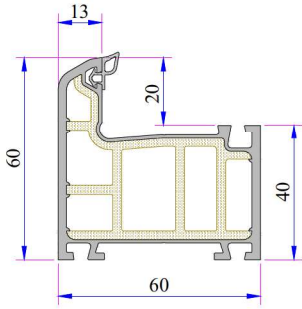
**Glass Thickness (mm):** 4, 20, 24, 30, 32 mm

**The thermal insulation Uf:** 1,30 W/m<sup>2</sup>K

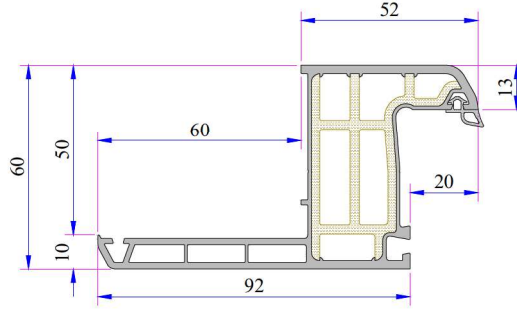
## INSTRUCTION

- 60 mm profile system. Because of the composite profile extruded together, no need for extra metal reinforcement inside.
- No need for reinforcement cutting units screwing unit and workman.
- Compared with metal reinforcement system profile Penwood systems have %30 more advantage with max heat - sound and water insulation.
- Just cut and weld. You do not need Metal Reinforcement and extra stock area for Metal Reinforcement.
- Possibility to install single 4-6 mm or double glazing 20, 24, 32 mm with different thickness of grey glazing bead.
- It has water drainage channel, it can be directly drilled after cutting.
- Color range for laminated products.
- It's quality is accredited by international certificate.

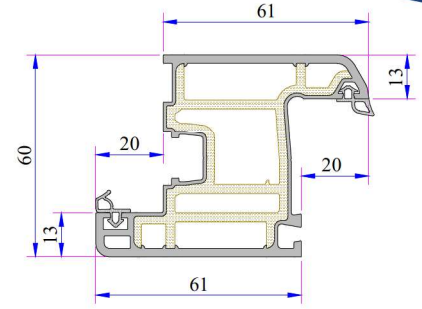
# PENWOOD 632 SERIES PVC PROFILE SYSTEM



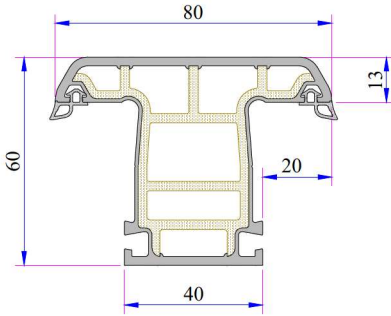
**632 Penwood Frame Profile**  
Code: P.A.632.1000.600.2.BC.03



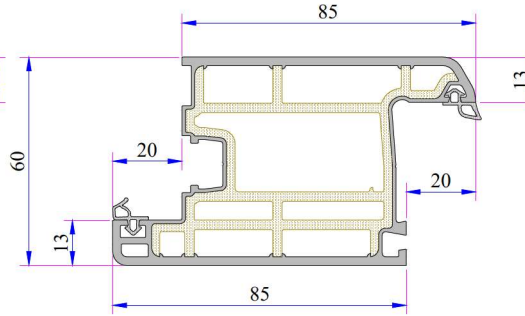
**632 Penwood Frame Profile With Sill**  
Code: P.A.632.1200.600.2.BC.03



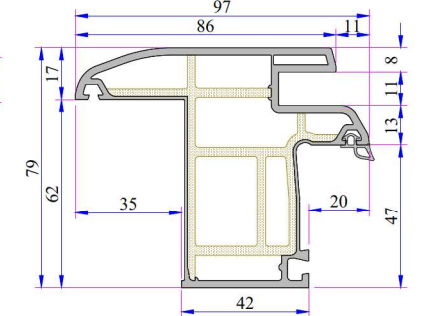
**632 Penwood Sash Profile**  
Code: P.A.632.2000.600.2.BC.03



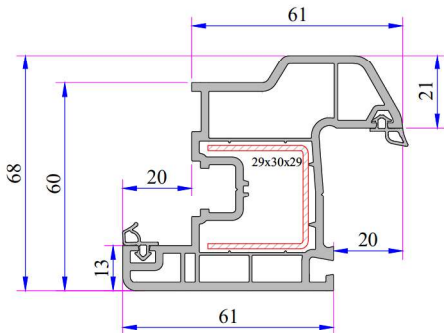
**632 Penwood Mullion Profile**  
Code: P.A.632.3000.600.2.BC.03



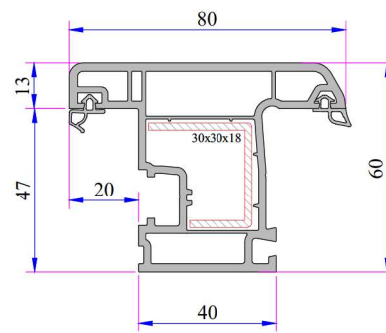
**632 Penwood Door Sash Profile**  
Code: P.A.632.2100.600.2.BC.03



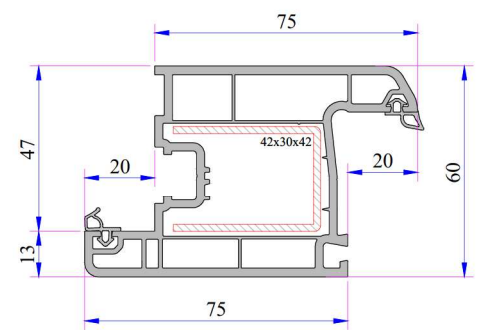
**632 Penwood Shutter Rail Frame Profile**  
Code: P.A.632.1206.600.2.BC.03



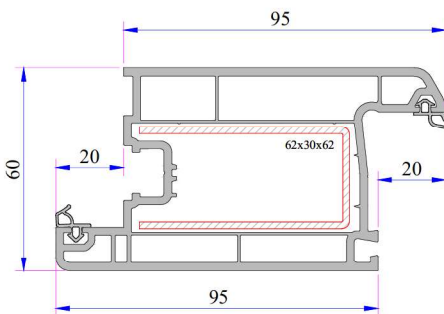
**Offset Type Sash Profile Installation**  
Code: P.A.632.2200.600.0.BC.03



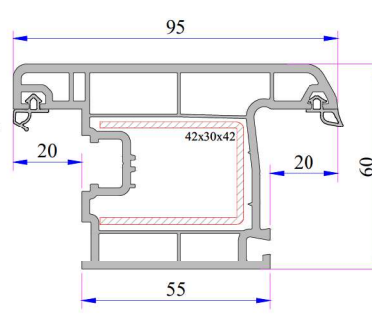
**Outward Opening Sash Profile**  
Code: P.A.632.2014.600.0.BC.03



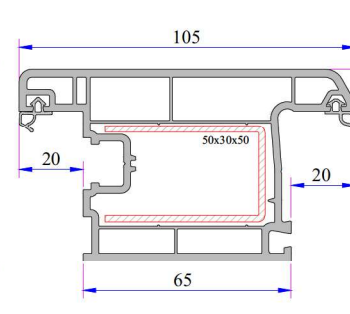
**Eco Door Sash Profile**  
Code: P.A.632.2107.600.0.BC.03



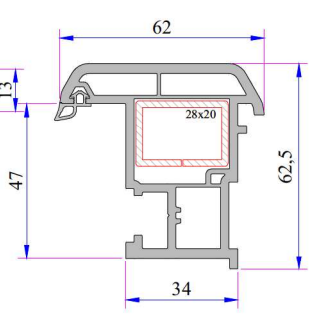
**Door Sash Profile**  
Code:  
P.A.632.2100.600.0.BC.03



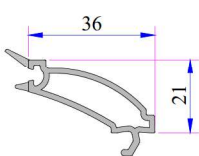
**Eco Outward Opening Door Sash Profile**  
Code:  
P.A.632.2108.600.0.BC.03



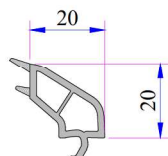
**Outward Opening Door Sash Profile**  
Code:  
P.A.632.2101.600.0.BC.03



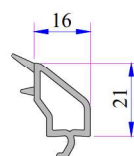
**Lap Joint Profile**  
Code:  
P.A.632.3100.600.0.BC.19



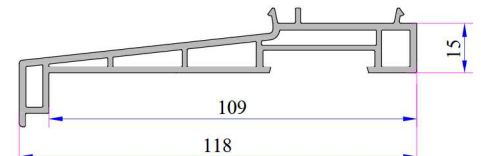
**Single Glazing Bead 4-6 mm**  
Code:  
P.A.101.4002.600.0.HC



**Double Glazing Bead 20 mm**  
Code:  
P.A.101.4100.600.0.HC

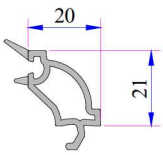


**Double Glazing Bead 24 mm**  
Code:  
P.A.750.4500.600.0.HC

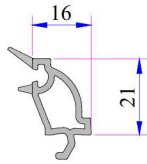


**Sill Profile**  
Code: P.A.058.5504.600.0.00.19

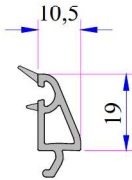
# PENWOOD 632 SERIES PVC PROFILE SYSTEM



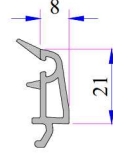
**DEC. Double Glazing Bead 20 mm**  
Code: P.A.101.4102.600.0.HC



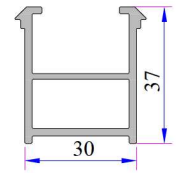
**DEC. Double Glazing Bead 24 mm**  
Code: P.A.101.4202.600.0.HC



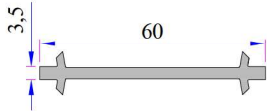
**Triple Glazing Bead 30 mm**  
Code: P.A.332.4100.600.0.HC



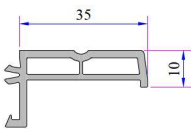
**Triple Glazing Bead 32 mm**  
Code: P.A.101.4500.600.0.HC



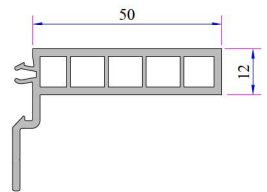
**Frame Montage Profile**  
Code: P.A.060.5301.600.0.00.19



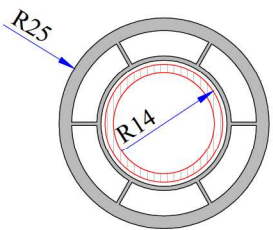
**Coupling Profile**  
Code: P.A.060.5001.600



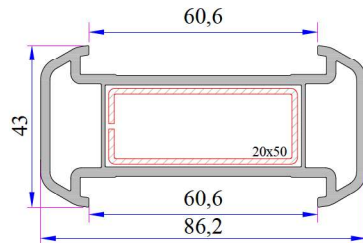
**Frame Sill Profile (35mm)**  
Code: P.A.099.5523.600



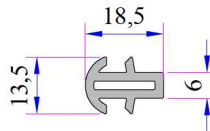
**Frame Sill Profile (50mm)**  
Code: P.A.099.5524.600



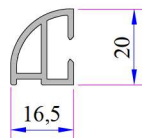
**Angle Pipe Profile**  
Code: P.A.050.5106.600



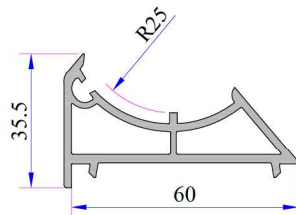
**Large Coupling Profile**  
Code: P.A.060.5000.600.0.00.19



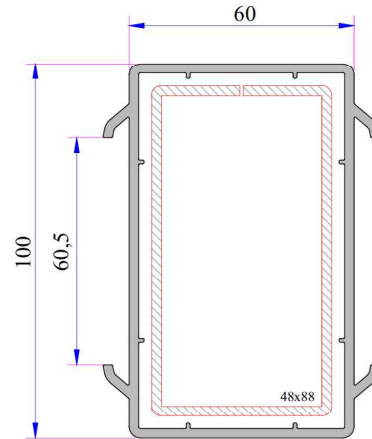
**Coupling Profile**  
Code: P.A.099.5003.600



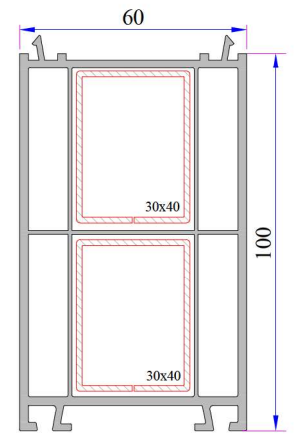
**Offset Profile**  
Code: P.A.900.6307.600



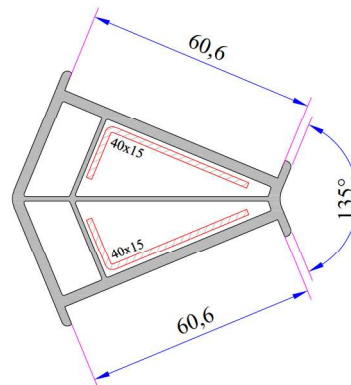
**Angle Pipe Adaptor Profile**  
Code: P.A.060.5104.600.0.00.19



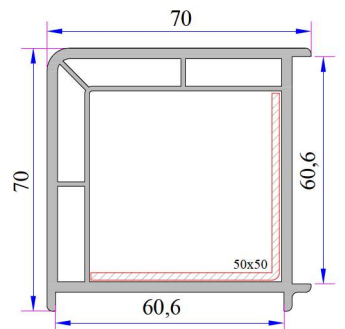
**60x100 Spiked Box Profile**  
Code: P.A.060.5203.600.0.00.19



**60x100 Frame Lifting Profile**  
Code: P.A.900.5303.600.0.00.19



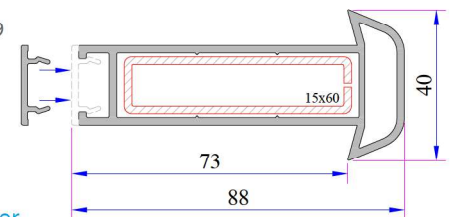
**135° Corner Profile**  
Code: P.A.060.5102.600.0.00.19



**90° Corner Profile**  
Code: P.A.060.5100.600.0.00.19

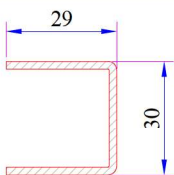


**Universal Large Coupling Cover Profile**  
Code: P.A.058.5707.600.0.00.19

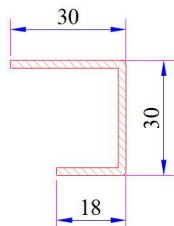


**Universal Large Coupling Profile**  
Code: P.A.058.5000.6001.0.00.19

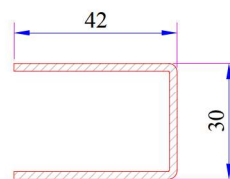
## 632 Penwood Re-Inforcement Profiles



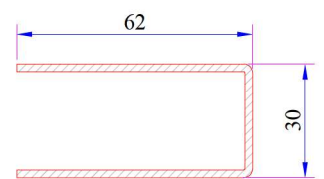
**Offset Type Sash Profile Reinforcement**  
Code: 34022-12002



**Outward Opening Sash Profile Reinforcement**  
Code: 34022 - 12022

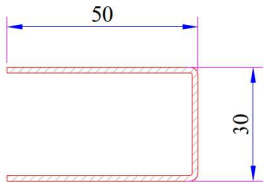


**Eco Door Sash Outward Opening Profile Reinforcement**  
Code: 34022-12023

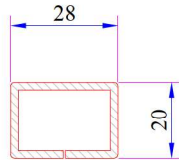


**Super Door Sash Profile Reinforcement**  
Code: 34022 - 12029

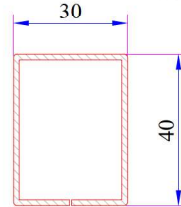
# PENWOOD 632 SERIES PVC PROFILE SYSTEM



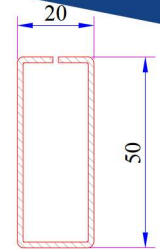
Outward Opening Door Sash Profile Reinforcement  
Code: 34022-12013



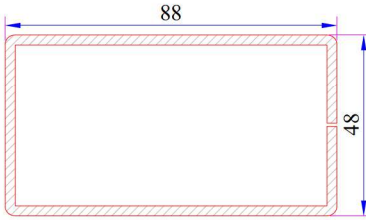
Lap Joint Profile Reinforcement  
Code: 34022-12118



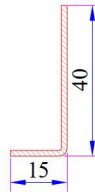
100 mm Frame Lifting Profile Reinforcement  
Code: 34022-12120



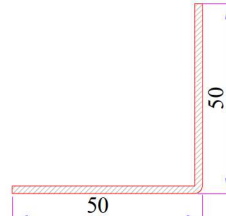
Large Coupling Profile Reinforcement  
Code: 34022-12105



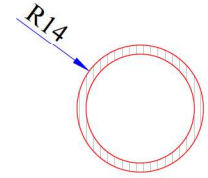
70x100 mm Box Profile Reinforcement  
Code: 34022-12102



135° Corner Profile Reinforcement  
Code: 34022-12301

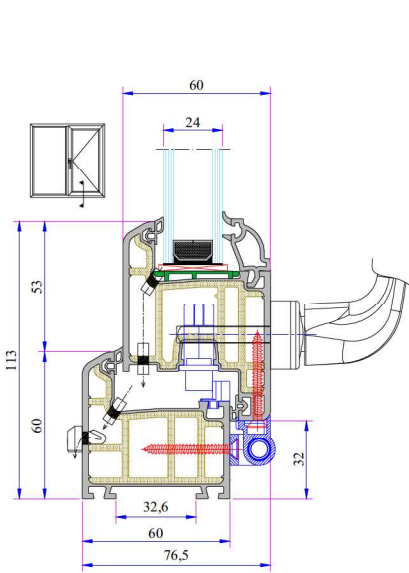


90° Corner Profile Reinforcement  
Code: 34022-12302

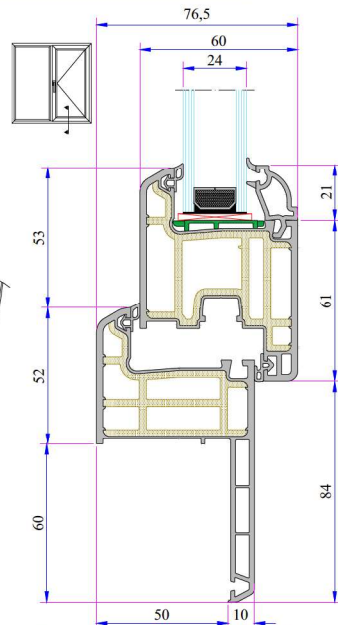


Pipe Profile Reinforcement  
Code: 34022-12503

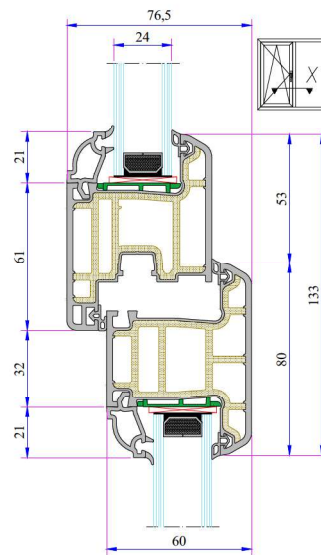
## 632 Penwood Installation



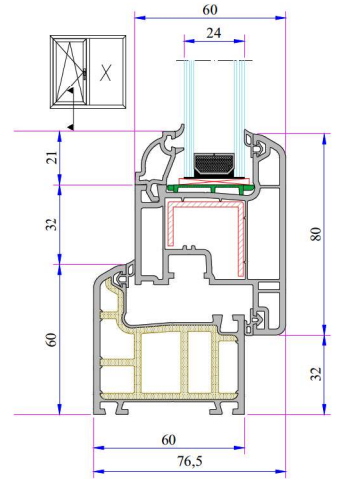
Frame-Sash Installation



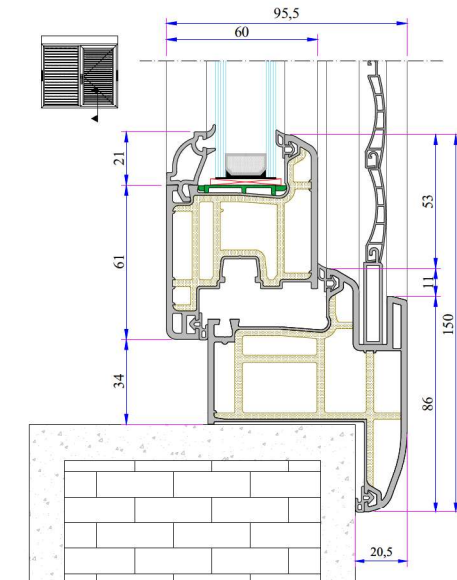
Frame profile with Sill- Sash Installation



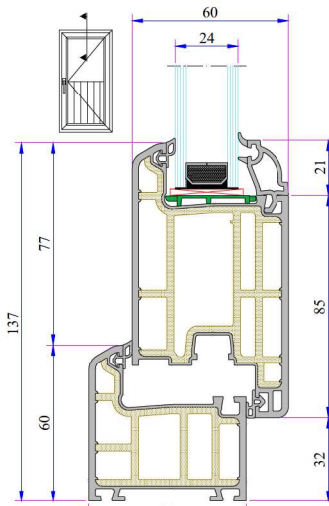
Mullion Sash Profile Installation



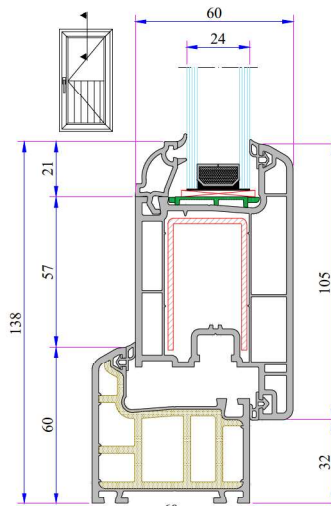
Frame - Outward Opening Sash Installation



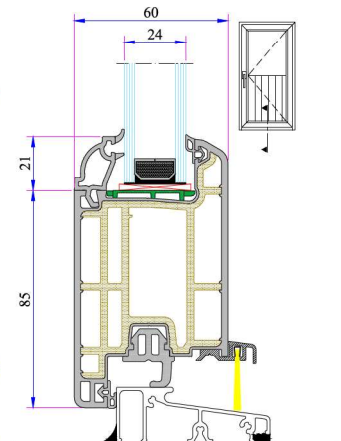
Shutter Rail Frame - Sash Installation



Frame Door Sash Installation

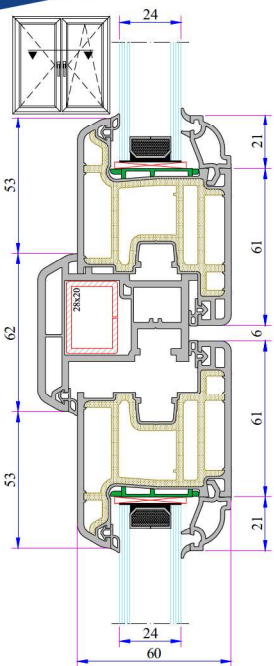


Frame -Outward Opening Door Sash Installation

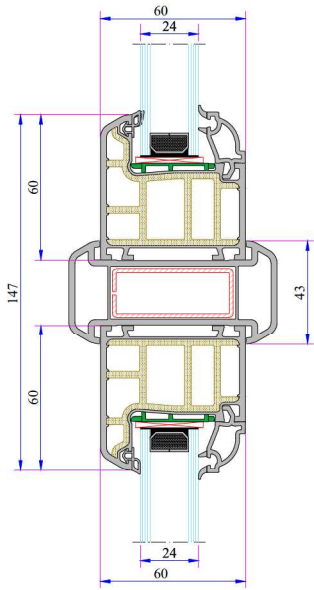


Frame with Aluminium Threshold - Door Sash Installation

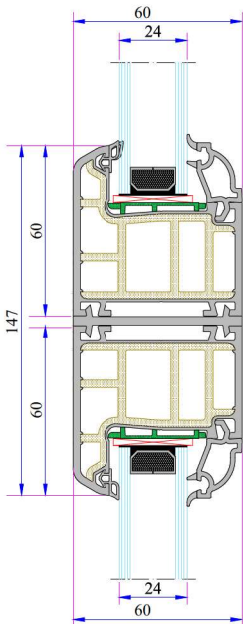
# PENWOOD 632 SERIES PVC PROFILE SYSTEM



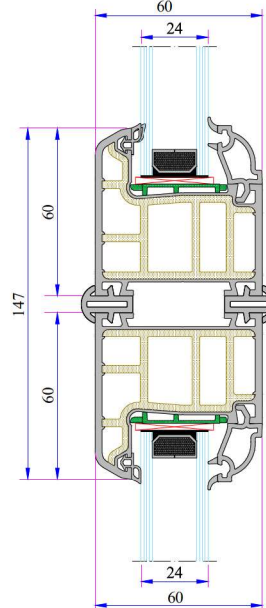
Sash - Lap Joint Installation



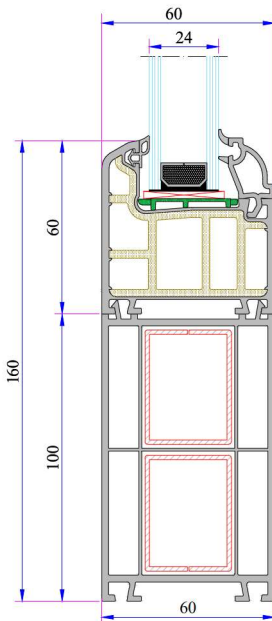
Large Coupling Installation



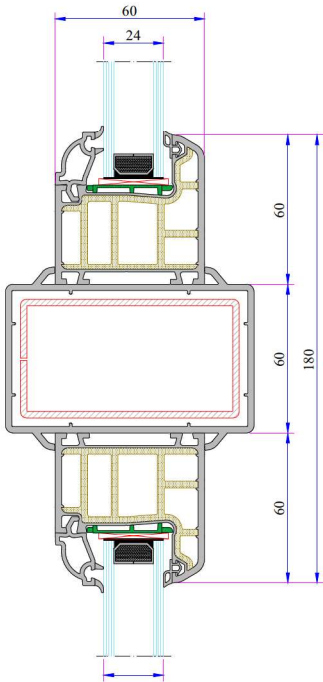
Coupling Installation



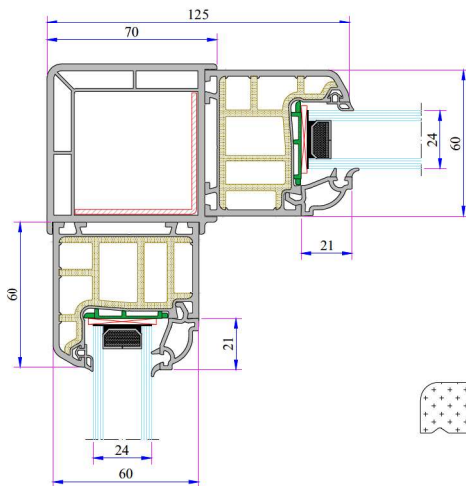
Short Coupling Installation



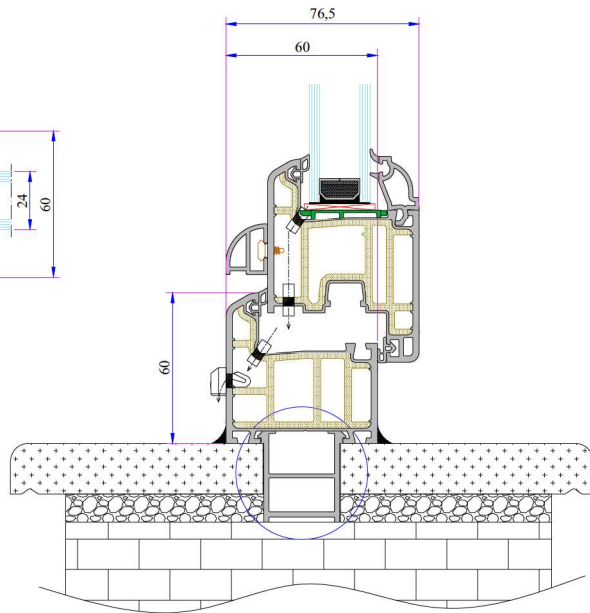
100 mm Frame Lifting Profile Installation



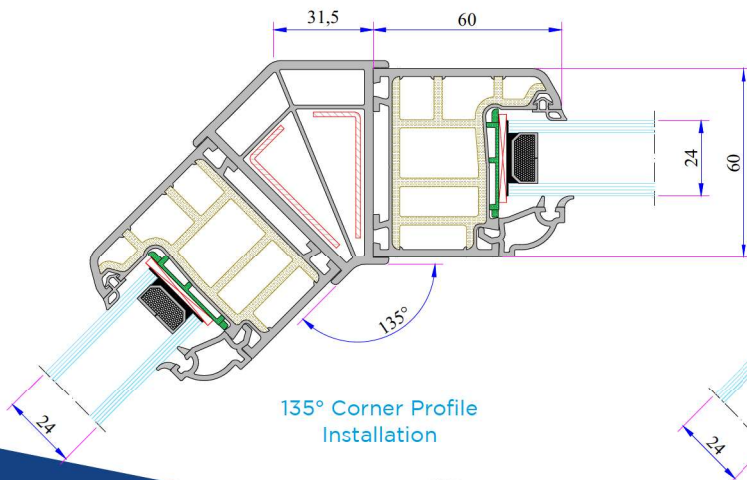
Spiked Box Profile Installation



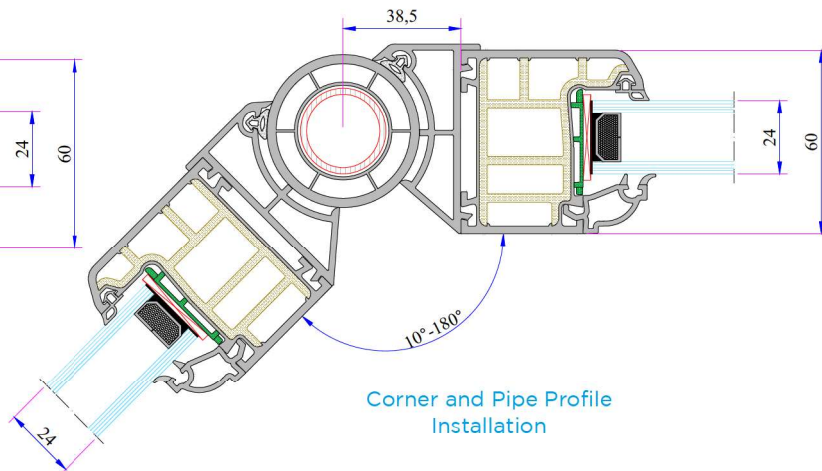
90° Corner Profile Installation



Offset Profile and Frame Montage Profile Installation

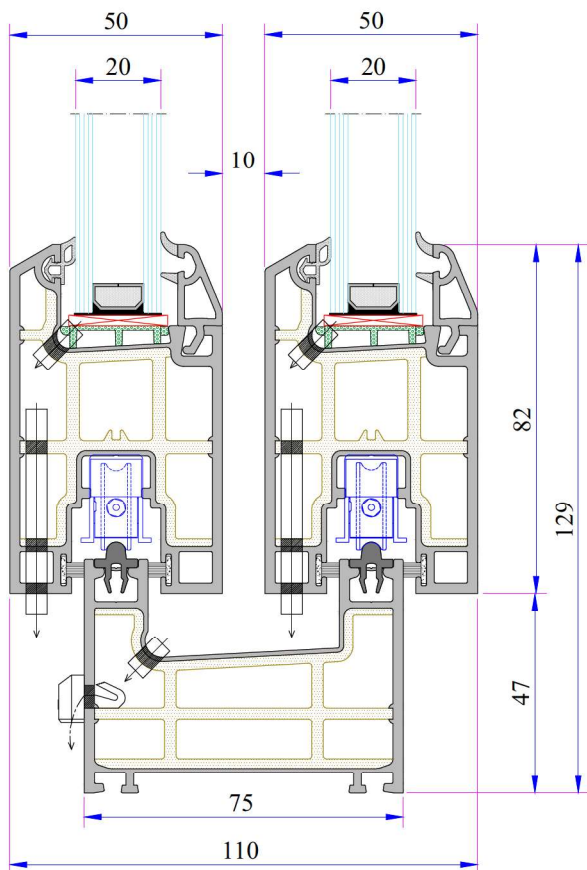


135° Corner Profile Installation



Corner and Pipe Profile Installation





## TECHNICAL

### PENWOOD 232 SLIDING SERIES

**Profile Width:** 75 mm double rail frame  
an 92,5mm single rail frame, 50mm  
sliding system sash profile

**Number of chambers:** 3 chambers  
system

**Profile Class:** B Class (TS EN 12608-1)

**Seal Type:** The insulated bristle wick  
system

**Glass Thickness (mm):** 4-6, 20, 24 mm

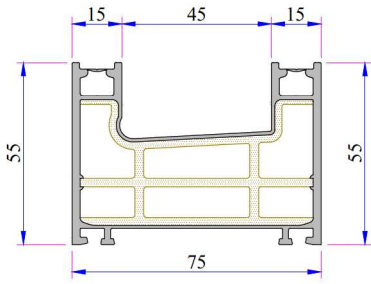
**The thermal insulation Uf:** 1,43 W/m<sup>2</sup>K

## INSTRUCTION

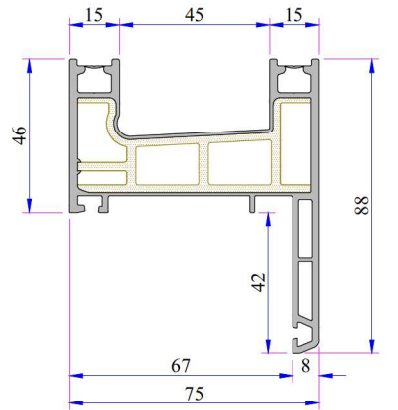
- 75 mm double rail frame and 92,5 mm single rail frame, 50mm sliding system sash profile.
- No need for reinforcement cutting screwing unit and workman.
- Compared with metal reinforcement system profile Penwood systems have % 30 more advantage with max heat - sound and water insulation.
- Just cut and weld. You do not need Metal Reinforcement and extra stock area for Metal Reinforcement.
- It has water drainage channel, it can be directly drilled after cutting.
- The medium locked sash with a seal system.
- Application of single glaze (4-6 mm) and insulating glass 20-24 mm by grey sealed glazing beads in different tickness.
- In addition to main white profile, it has a different laminated color range.
- It's quality is accredited by national and international certificate.



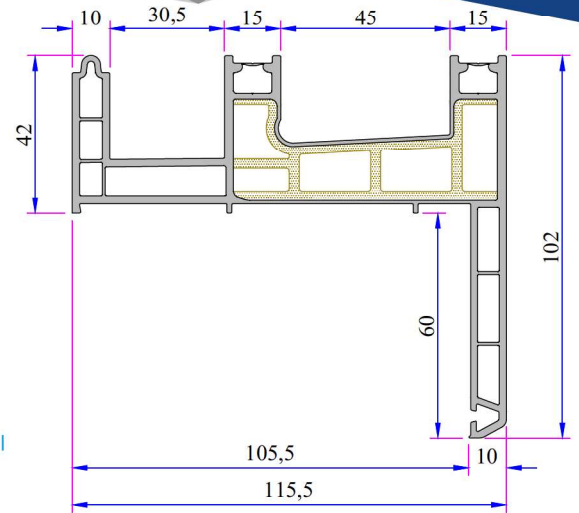
# PENWOOD 232 SLIDING SERIES PVC PROFILE SYSTEM



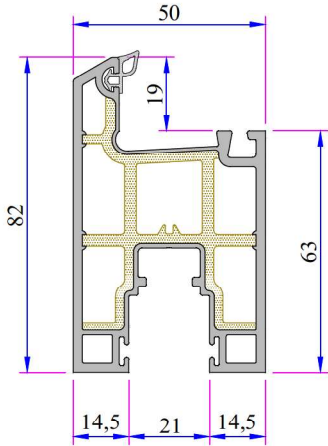
Penwood Frame Profile  
(Double Rail)  
Code: ???



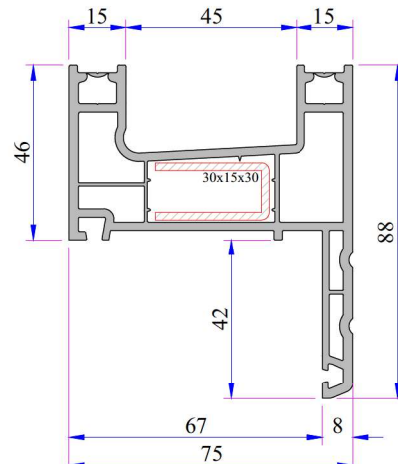
Penwood Frame Profile With Flat Sill  
Code: ???



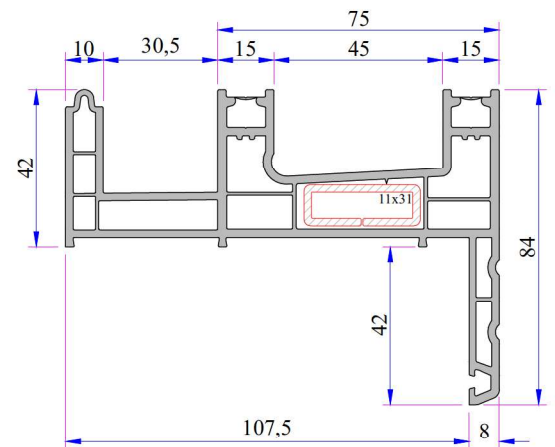
Penwood Frame With Fly-Screen&Sill  
Code: ???



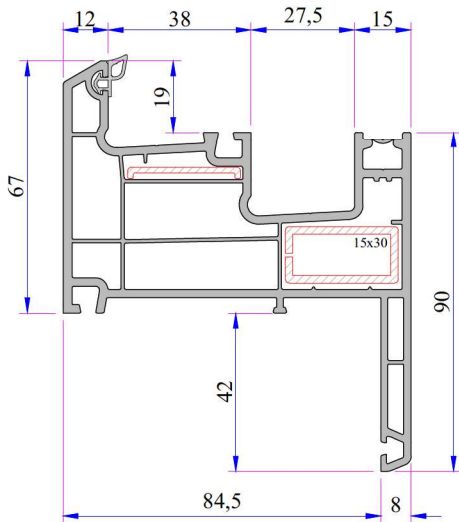
Sliding System Sash Profile  
Code: ???



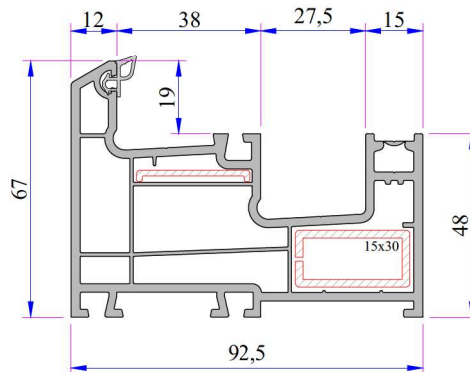
Frame Profile With Sill (Decorative)  
Code: P.A.232.1107.600.0.00.03



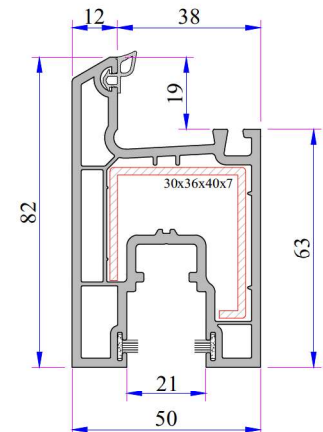
Frame With Fly-Screen&Sill  
Code: P.A.232.1109.600.0.00.03



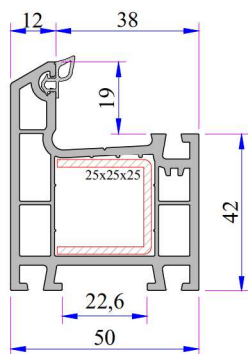
Frame Profile With Sill (Single Rail)  
Code: P.A.232.1114.600.0.00.03



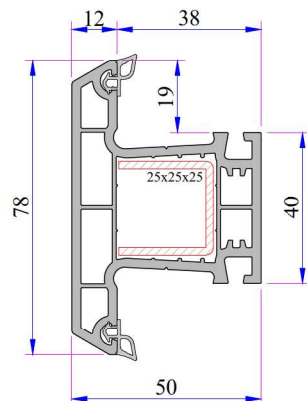
Frame Profile (Single Rail)  
Code: P.A.232.1105.600.0.BC.03



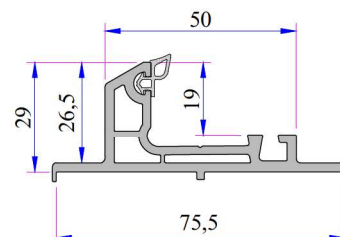
Sliding System Sash Profile (Static)  
Code: P.A.232.2308.600.0.BC.03



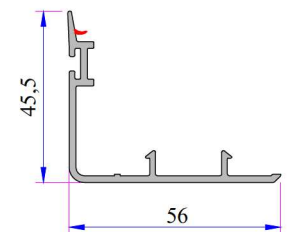
332 Frame Profile  
Code: P.A.332.1000.600.0.BC.03



332 Mullion Profile  
Code: P.A.332.3000.600.0.BC.03

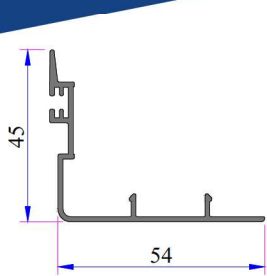


Double Rail Adaptör Profile  
Code:  
P.A.232.5800.600.0.BC.19

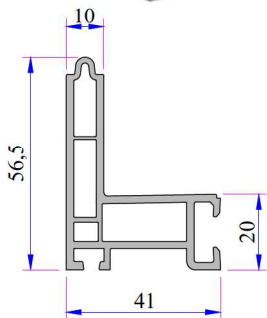


Sash Cover Profile  
Code: P.A.222.8700.600

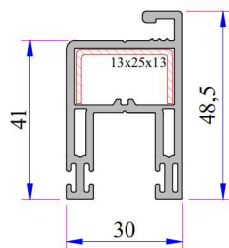
# PENWOOD 232 SLIDING SERIES PVC PROFILE SYSTEM



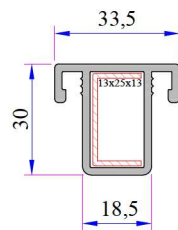
**Alm. Sash Cover Profile**  
Code: 16051.601.5.11.9016



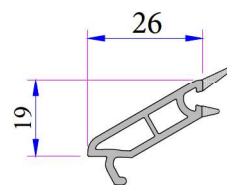
**Screen Adaptör Profile**  
Code: P.A.232.5802.600.0.00.19



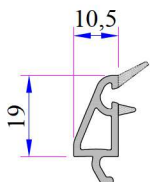
**Sliding Screen Sash Profile**  
Code: P.A.242.2305.600.0.00.03



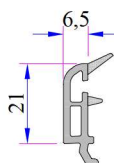
**Sliding Screen Mullion Profile**  
Code: P.A.242.3200.600.0.00.03



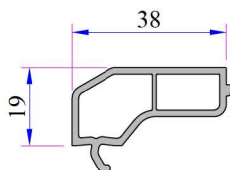
**Single Glazing Bead (4mm)**  
Code: P.A.332.4000.600.0.HC



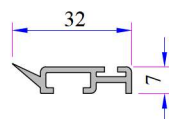
**Double Glazing Bead (20mm)**  
Code: P.A.332.4100.600.0.HC



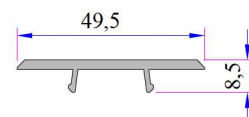
**Double Glazing Bead (24mm)**  
Code: P.A.532.4500.600.0.HC



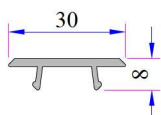
**PVC Cover Profile**  
Code: P.A.232.5702.600



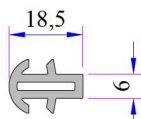
**Lap Strip Profile**  
Code: P.A.232.5301.600



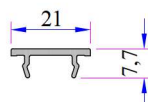
**PVC Sash Cover Profile**  
Code: P.A.232.5704.600



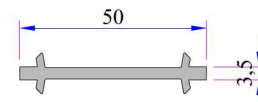
**Screen Sash Cover Profile**  
Code: P.A.242.5701.600



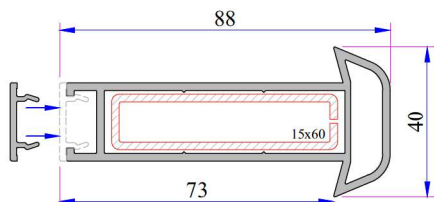
**Short Coupling Profile**  
Code: P.A.099.5003.600



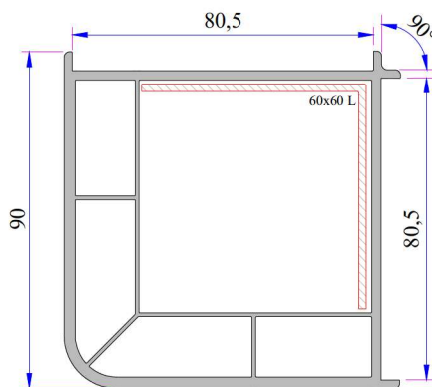
**Universal Large Coupling Cover Profile**  
Code: P.A.058.5707.600.0.00.19



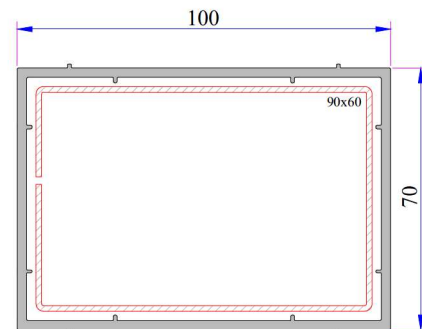
**Narrow Coupling Profile**  
Code: P.A.050.5001.600



**Universal Large Coupling Profile**  
Code: P.A.058.5000.600.0.00.19



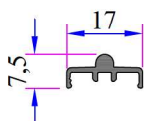
**90° Corner Profile**  
Code: P.A.080.5100.600.0.00.19



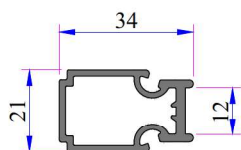
**Box Profile (70\*100)**  
Code: P.A.070.5202.600.0.00.19



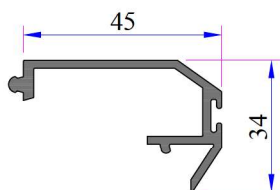
**Alm. Sliding Rail Profile**  
Code: 16014.601.5.0.0.0000



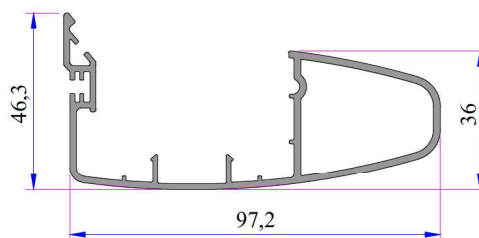
**Alm. Sliding Rail Profile**  
Code: ??



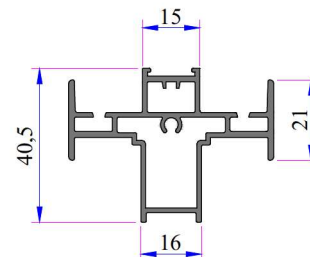
**Alm. Double Rail Adaptor Profile**  
Code: AD16-011(White)



**Alm. Cover Profile**  
Code: 16013.601.5.2.0.0000

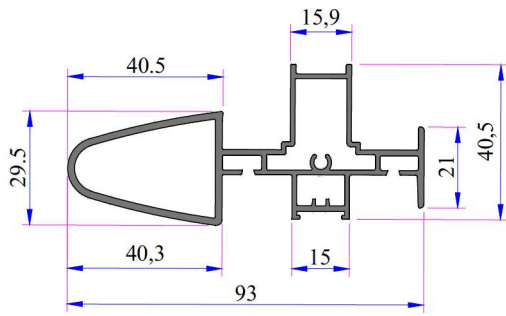


**Sash Cover Grillage Profile**  
Code: 16028.601.5.2.0.0000

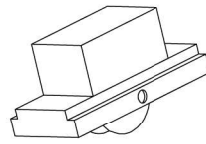


**With Alum. Lug Double Sash Middle Adaptor (In Process)**  
Code: ??

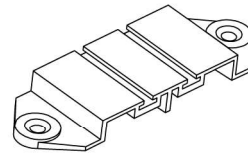
# PENWOOD 232 SLIDING SERIES PVC PROFILE SYSTEM



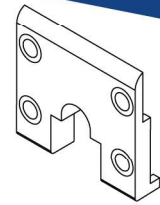
With Alum. Grillage Double Sash  
Middle Adaptor (In Process)  
Code: P.A.332.4000.600.0.HC



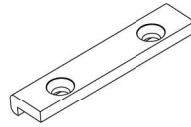
Sliding Roller Plastic  
Code: 34009-17010



Sealing Bit Single Rail  
Code: 34009-26020

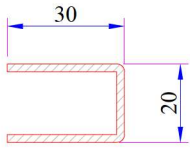


Sliding Sash End Bit  
Code: 34009-46010

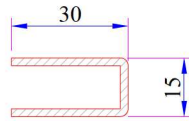


Upper bedding Piece for  
Sliding Rail  
Code: 34009-36010

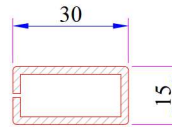
## W 232 Sliding Re-Inforcement Profiles



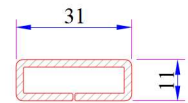
Double Rail Frame Profile  
Reinforcement  
Code: 34022-12006



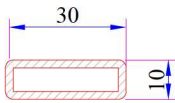
Frame Profile with Sill -  
Frame Profile with Flat Sill  
Reinforcement  
Code: 34022-12034



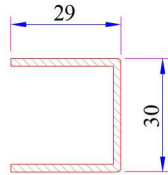
Frame Profile (Single Rail)-  
Frame Profile With Sill (Single  
Rail) Reinforcement  
Code: 34022-12125



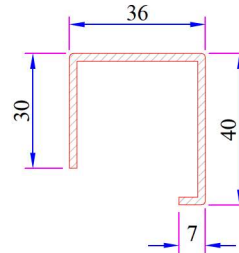
Frame With Fly-Screen&Sill  
Reinforcement  
Code: 34022-12107



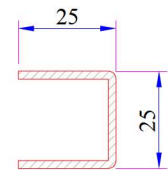
Frame With Internal Fly-  
Screen Reinforcement  
Code: 34022-12107



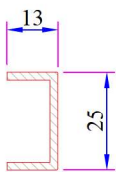
Sliding System Sash  
Profile Reinforcement  
Code: 34022-12002



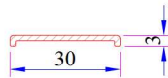
Sliding System Sash Profile  
(Static) Reinforcement  
Code: 34022-12107



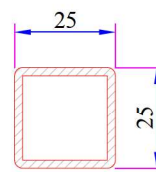
332 Frame- Mullion Profile  
Reinforcement  
Code: 34022-12003



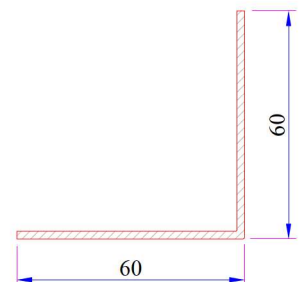
Fly-Screen Sash - Fly-Screen  
Mullion Profile Reinforcement  
Code: 34022-12008



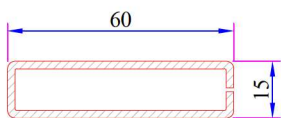
Frame Profile (Single Rail)-  
Frame Profile With Sill (Single  
Rail) Reinforcement  
Code: 34022-12035



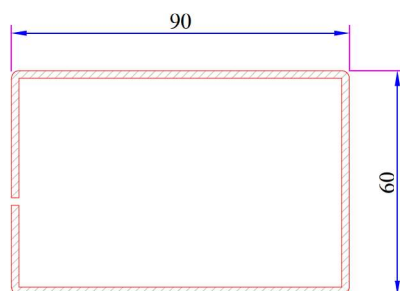
Mullion Profile Static  
Reinforcement  
Code: 34022-12122



90° Corner Profile  
Reinforcement  
Code: 34022-12306

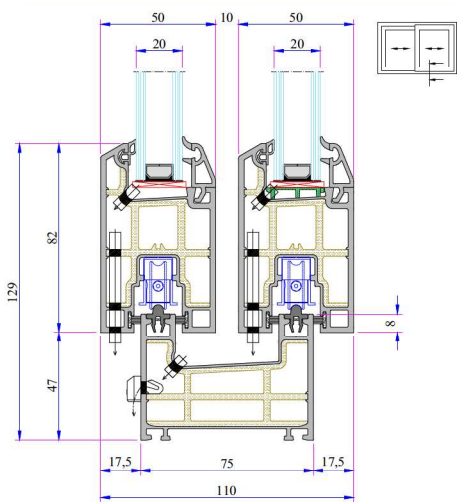


Universal Large Coupling  
Profile Reinforcement  
Code: 34022-12123

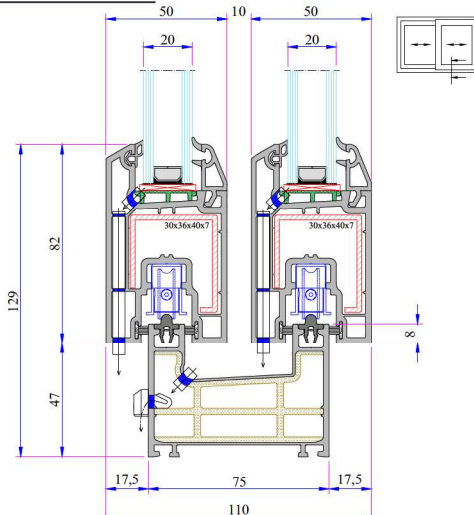


Box Profile Reinforcement  
Code: 34022-12121

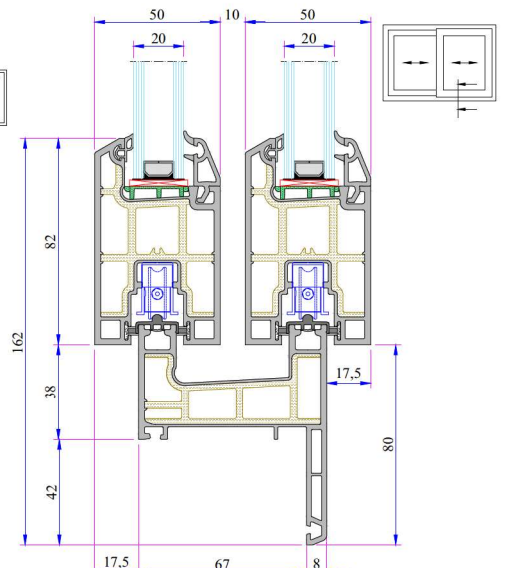
**Penwood 232 Sliding Installation**



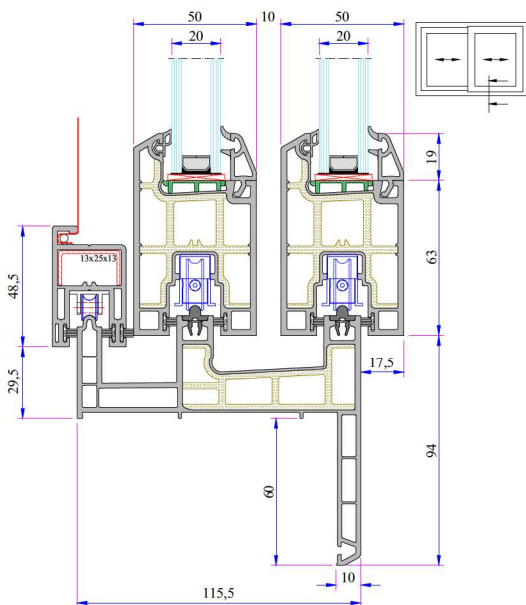
**Sliding Frame Sash Double Rail Installation**



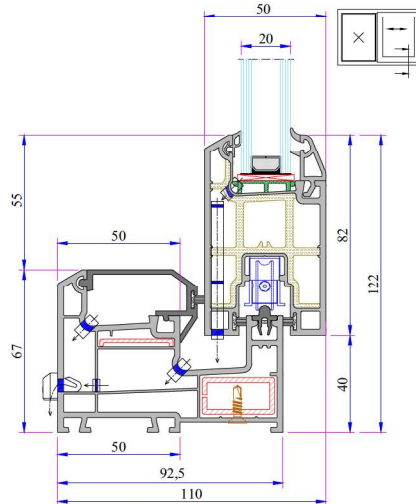
**Sliding Frame Static Sash Double Rail Installation**



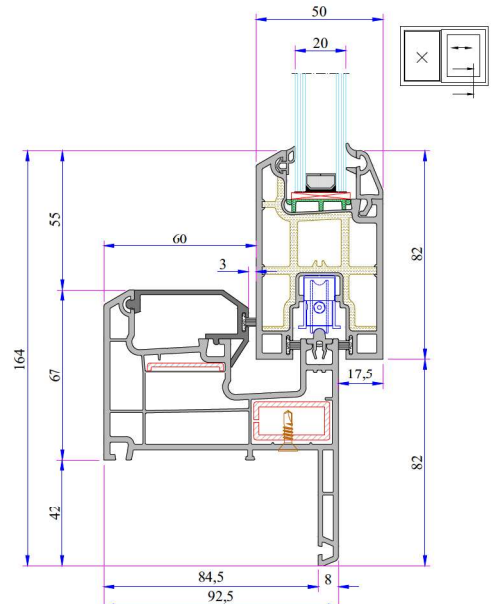
**Double Sliding Frame with Sill - Sash Installation**



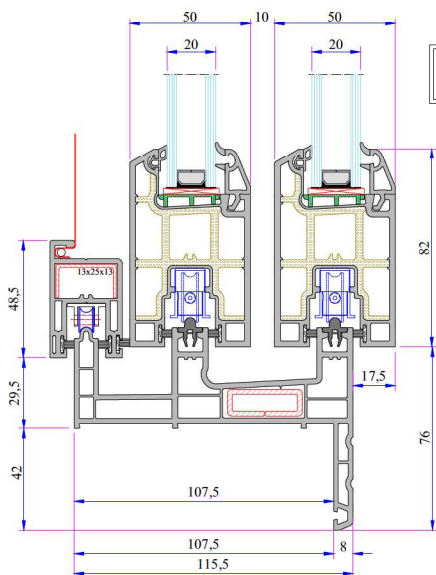
**Double Sliding Frame with Sill (60mm) - Sash Installation**



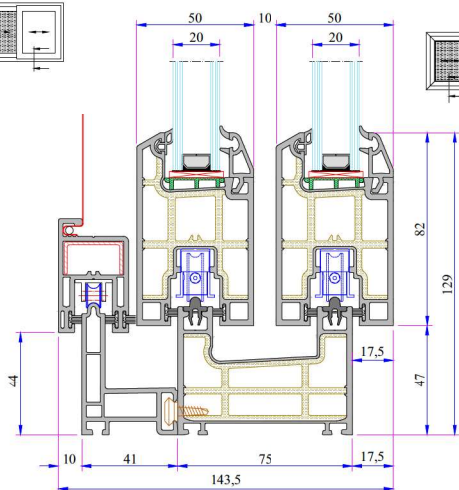
**Sliding Frame Sash Single Rail Installation**



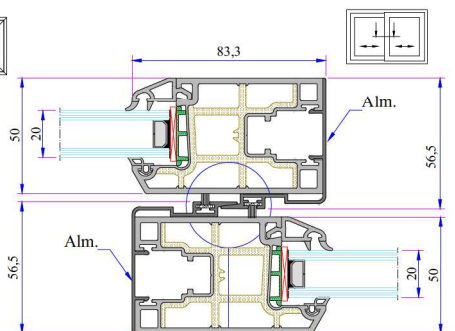
**Frame Profile With Sill (Single Rail) - Sash Installation**



**Sliding Frame - Sash - Screen - Sash Installation**



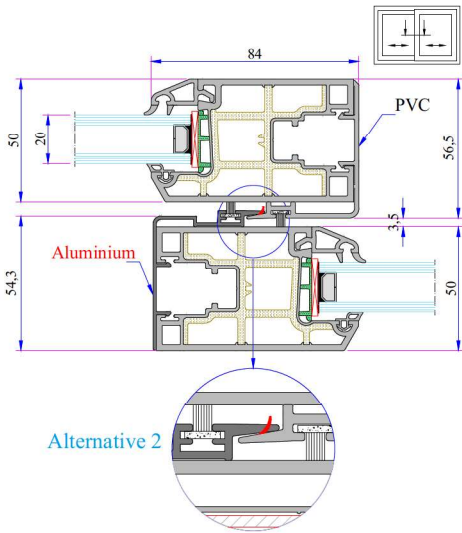
**Double Rail Sliding Frame - Sliding Sash - Screen Adaptor Profile Installation**



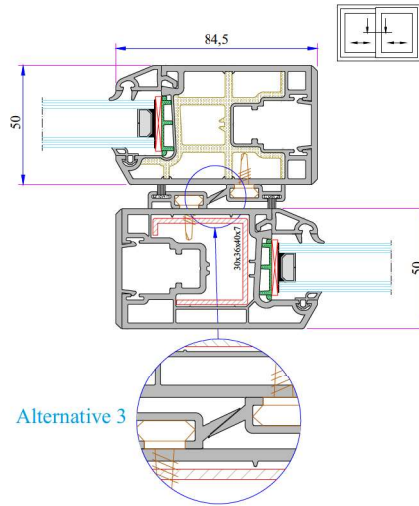
**Alternative 1**

**Alm. Sash Cover Profile Installation**

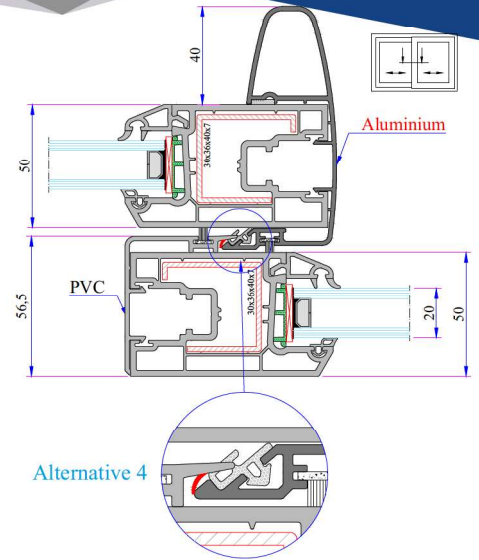
# PENWOOD 232 SLIDING SERIES PVC PROFILE SYSTEM



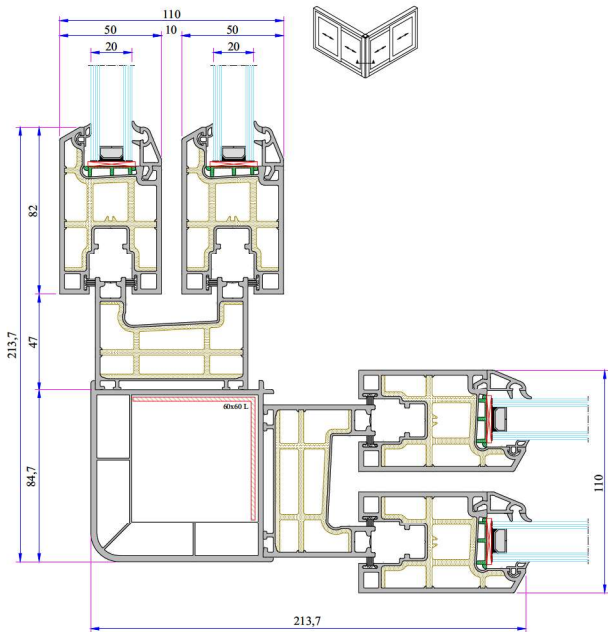
Alternative 2  
PVC and Aluminium Sash  
Cover Installation



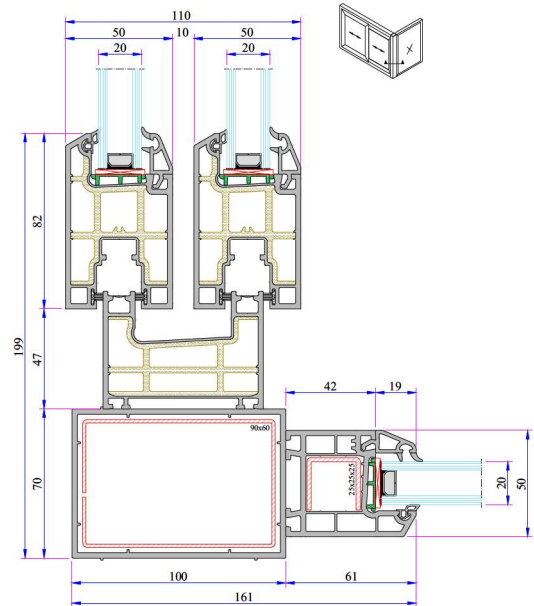
Alternative 3  
Sash Cover and Lap Strip  
Profile Installation



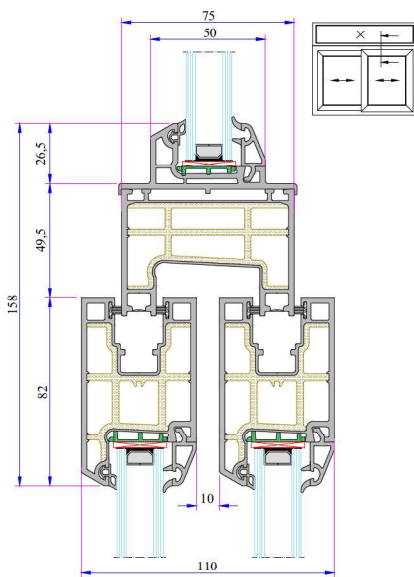
Alternative 4  
Alm. Sash Cover Griyaj Profile  
Installation



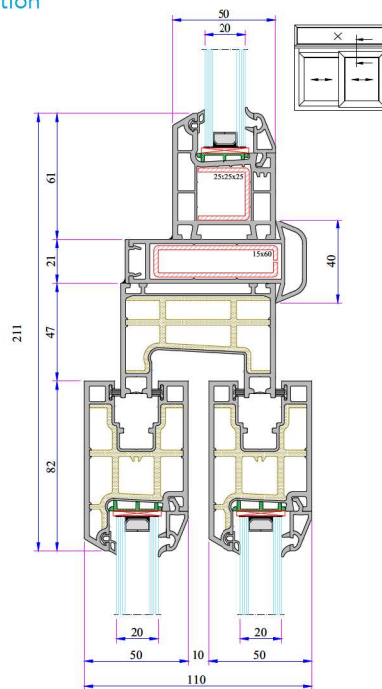
90° Corner Profile Installation



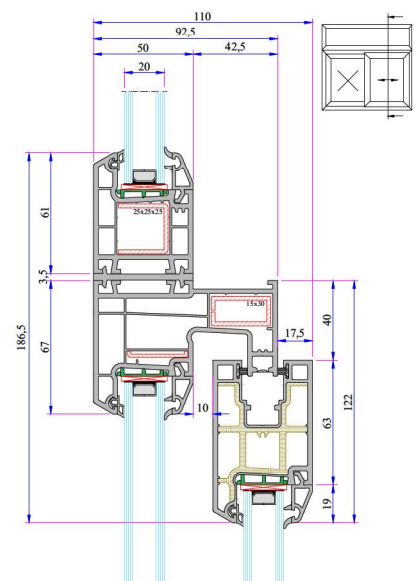
Box Profile Installation (70\*100)



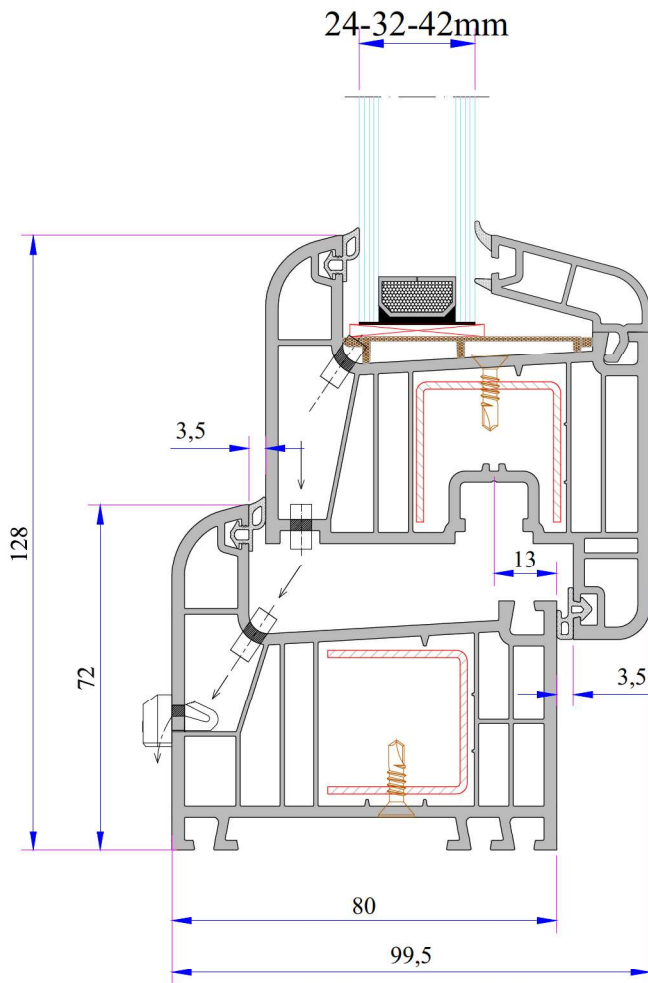
Top Fixed - Bottom Double  
Rail Sliding Installation



Large Coupling Profile  
Installation



Top Fixed - Bottom Single Rail  
Sliding Installation



## TECHNICAL

### W 800 SERIES

**Profile Width:** 80 mm

**Number of chambers:** 6

**Profile Class:** A Class (TS EN 12608-1) /  
RAL 716-GZ A Class

**Seal Type:** External / Internal double seal  
system

**Seal Type and Color:** TPE - Grey /Black

**Glass Thickness (mm):** 24, 32, 42 mm

**The thermal insulation Uf:** 1,2 W/m<sup>2</sup>K

### W 860 SERIES

**Profile Width:** 80 mm

**Number of chamber:** 6

**Profile Class:** B Class (TS EN 12608-1) /  
RAL 716-GZ B Class

**Seal Type:** External / Internal double seal  
system

**Seal Type and Color:** TPE - Grey / Black

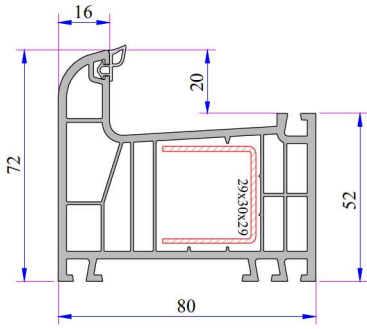
**Glass Thickness (mm):** 24, 32, 42 mm

**The thermal insulation Uf:** 1,2 W/m<sup>2</sup>K

## INSTRUCTION

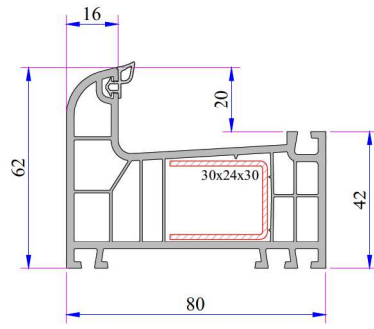
- The profiles have 80 mm width.
- Because of the elastic grey and black seal which does not leave any stain on profiles will be provided maximum air, water, dust and sound isolation.
- Due to the 6 chambers profiles, it has maximum performance for thermal, sound and water isolation.
- It is a series of profiles with very special design that provides maximum wind resistance on high rise buildings.
- Excluding normal sash profile there is also chance to have a choice for offset type sash profile.
- In addition to white profile a different laminated color range is available.
- Application of 24, 32, 42 mm glazing beads give us alternatives of using double, triple glazing and panels.

# W 800 - W 860 SERIES PVC PROFILE SYSTEM



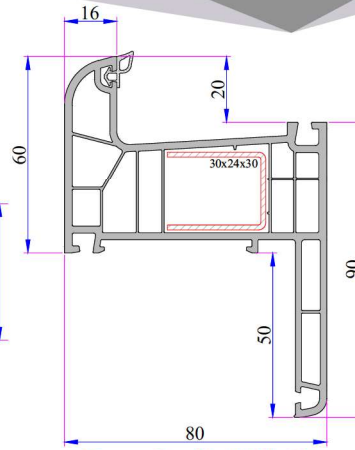
**Frame Profile**

Code: P.A.860.1000.600.0.BC.03



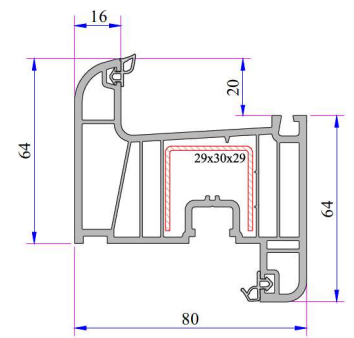
**Eco Frame Profile**

Code: P.A.860.1003.600.0.BC.03



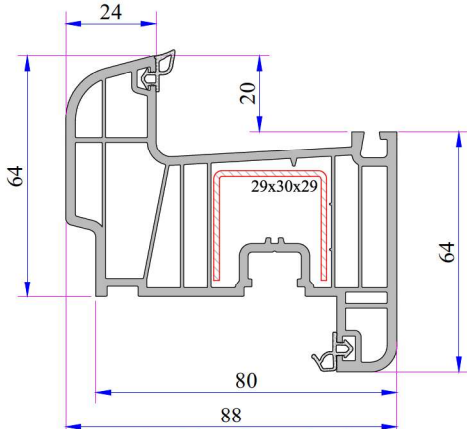
**Frame Profile With Sill**

Code: P.A.???



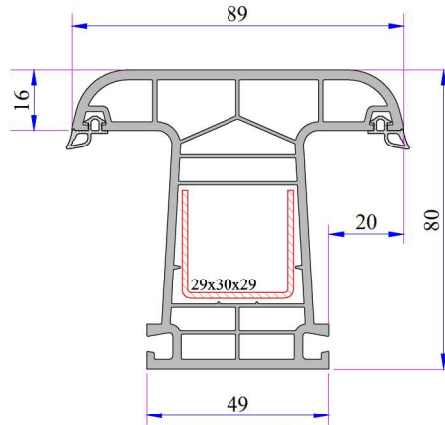
**Sash Profile**

Code: P.A.860.2000.600.0.BC.03



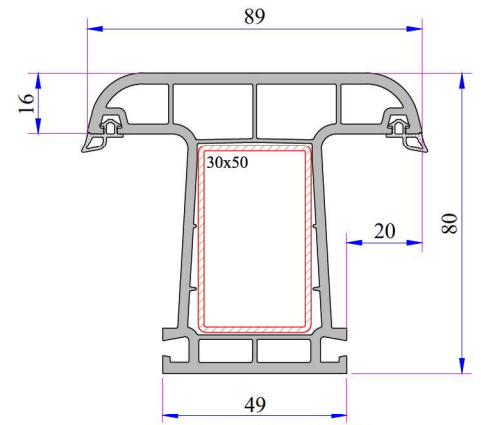
**Offset Type Sash Profile**

Code: P.A.860.2200.600.0.BC.03



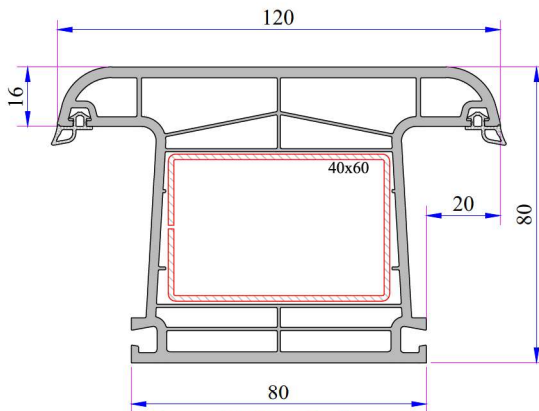
**Mullion Profile**

Code: P.A.860.3000.600.0.BC.03



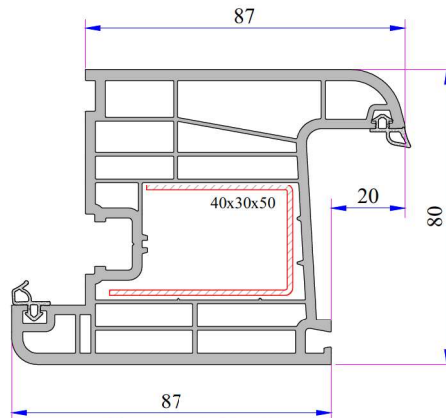
**Static Mullion Profile**

Code: P.A.800.3009.600.0.BC.03



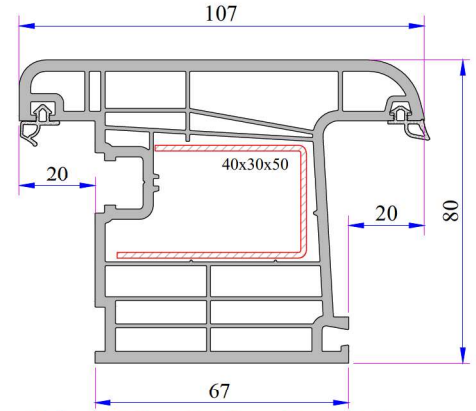
**Super Mullion Profile**

Code: P.A.800.3008.600.0.BC.03



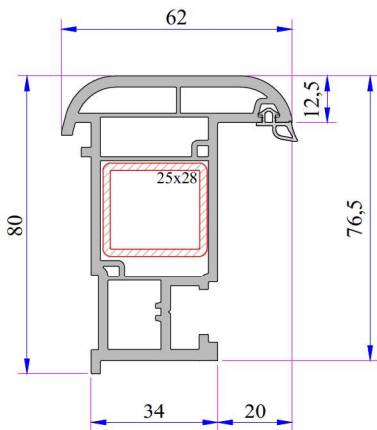
**Door Sash Profile**

Code: P.A.800.2100.600.0.BC.03



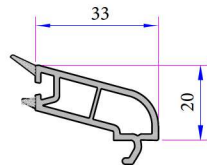
**Outward Opening Door Sash Profile**

Code: P.A.800.2101.600.0.BC.03



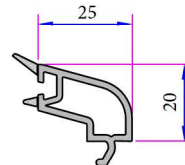
**Lap Joint Profile**

Code: P.A.800.3100.600.0.BC.19



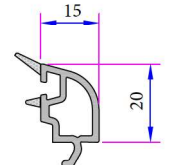
**Double Glazing Bead 24 mm**

Code: P.A.800.4200.600.0.HC



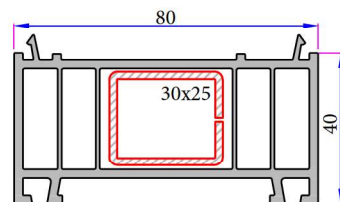
**Triple Glazing Bead 32 mm**

Code: P.A.800.4500.600.0.HC



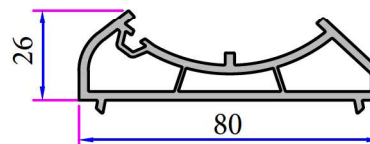
**Triple Glazing Bead 42 mm**

Code: P.A.800.4600.600.0.HC



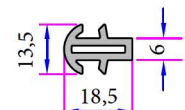
**Frame Lifting Profile**

Code: P.A.080.5300.600.0.00.19



**Corner Lag Profile**

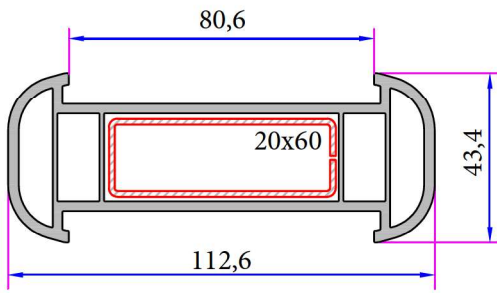
Code: P.A.080.5104.600.0.00.19



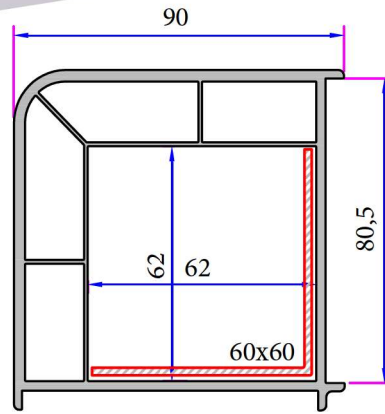
**Coupling Profile**

Code: P.A.099.5003.600

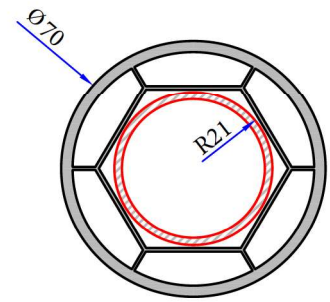
# W 800 - W 860 SERIES PVC PROFILE SYSTEM



**Large Coupling Profile**  
Code: P.A.080.5000.600.0.00.19

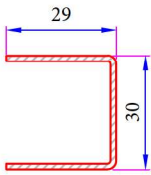


**90° Corner Profile**  
Code: P.A.080.5100.600.0.00.19

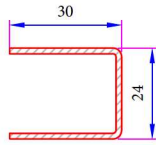


**Pipe Profile**  
Code: P.A.070.5106.600

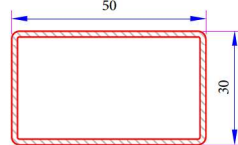
## W 800 - W 860 Re-Inforcement Profiles



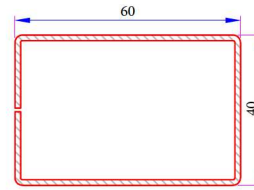
**Lap Joint Profile Reinforcement**  
Code: 34022-12002



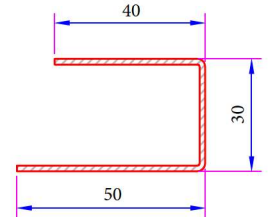
**Eco Frame Reinforcement**  
Code: 34022-12004



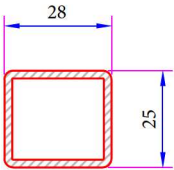
**Static Mullion Reinforcement**  
Code: 34022-12111



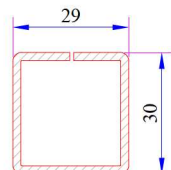
**Super Mullion Reinforcement**  
Code: 34022-12110



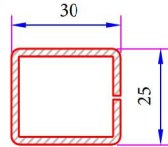
**Door Sash - Outward Opening Door Sash Reinforcement**  
Code: 34022-12014



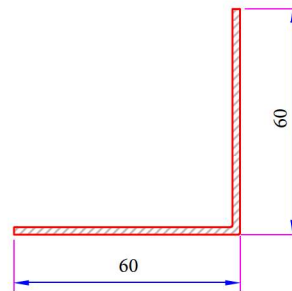
**Lap Joint Frame Lifting Profile Reinforcement**  
Code: 34022-12117



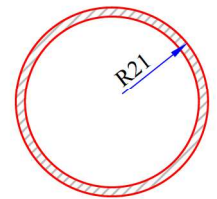
**Mullion Profile Static Reinforcement**  
Code: 34022-15129



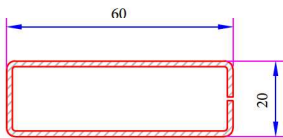
**Frame Lifting Profile Reinforcement**  
Code: 34022-12119



**90° Corner Profile Reinforcement**  
Code: 34022-12306

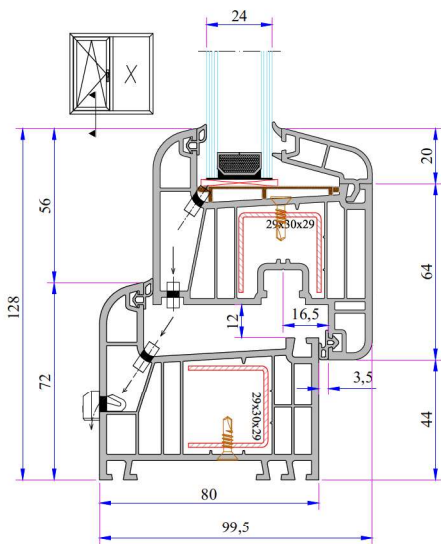


**Pipe Profile Reinforcement**  
Code: 34022-12502

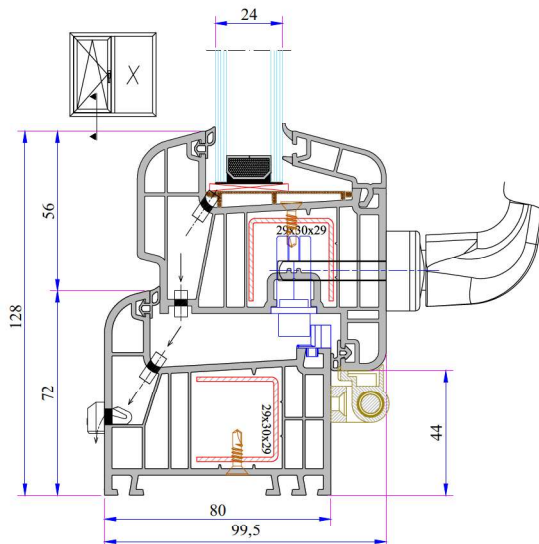


**Large Coupling Profile Reinforcement**  
Code: 34022-12106

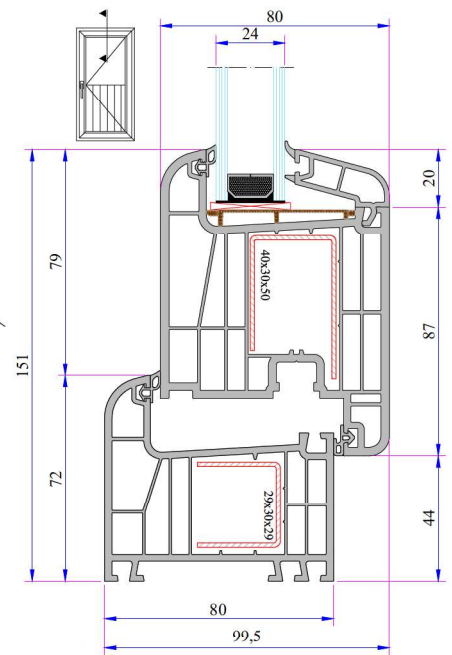
## W 800 - W 860 Installation



**Frame Sash Installation**



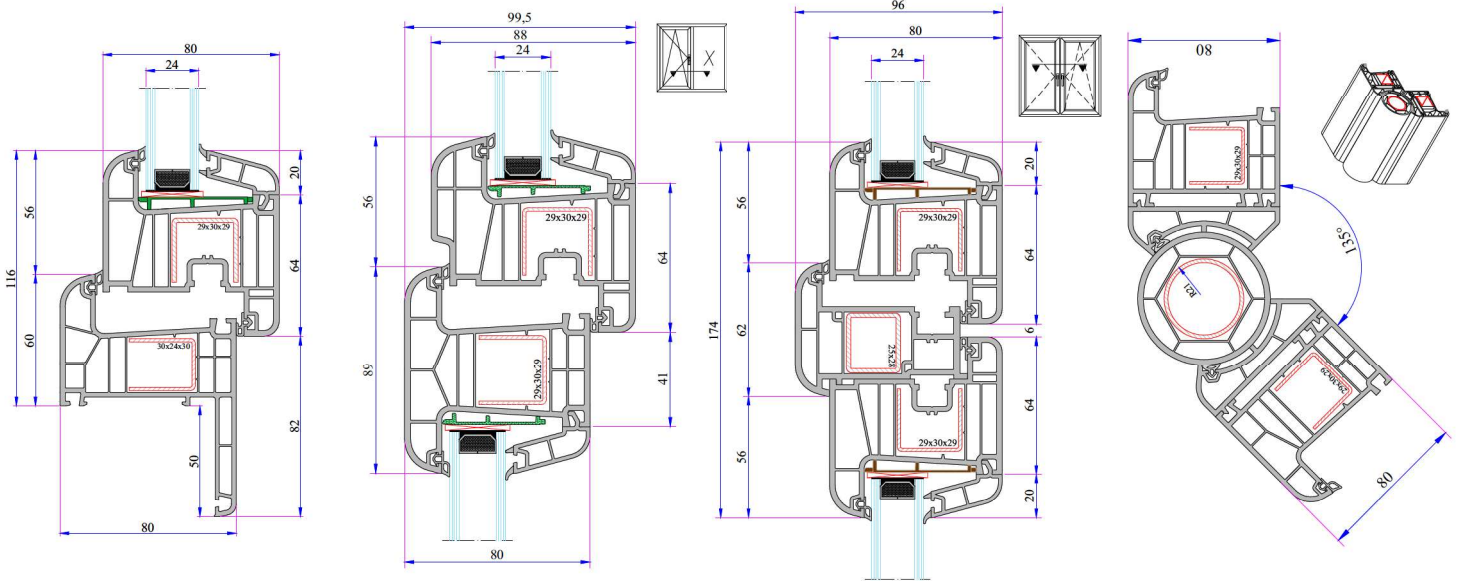
**Frame - Offset Type Sash Installation**



**Frame - Door Sash Installation**



# W 800 - W 860 SERIES PVC PROFILE SYSTEM

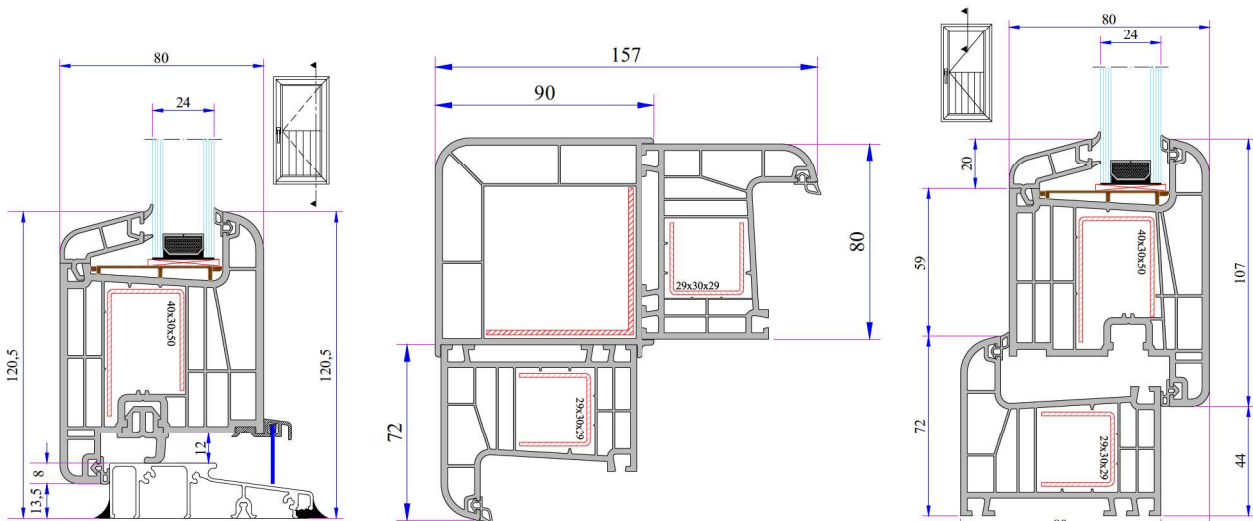


Frame Profile with Sill - Sash Installation

Sash - Mullion Profile Installation

Sash - Lap Joint Installation

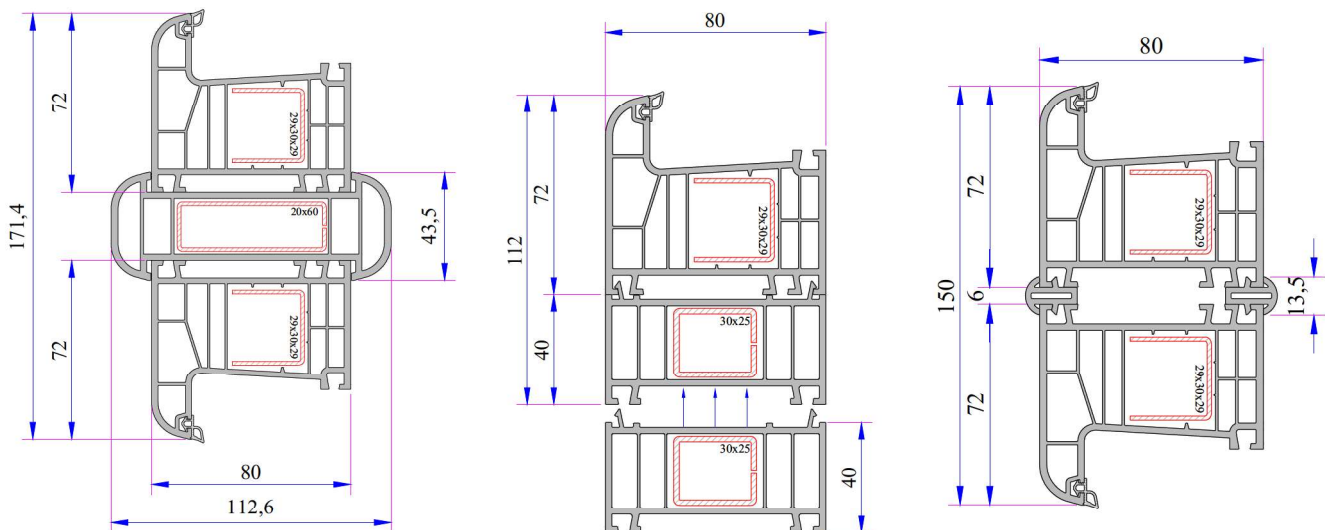
Pipe Profile Installation



With Aluminium Threshold - Door Sash Installation

90° Corner Profile Installation

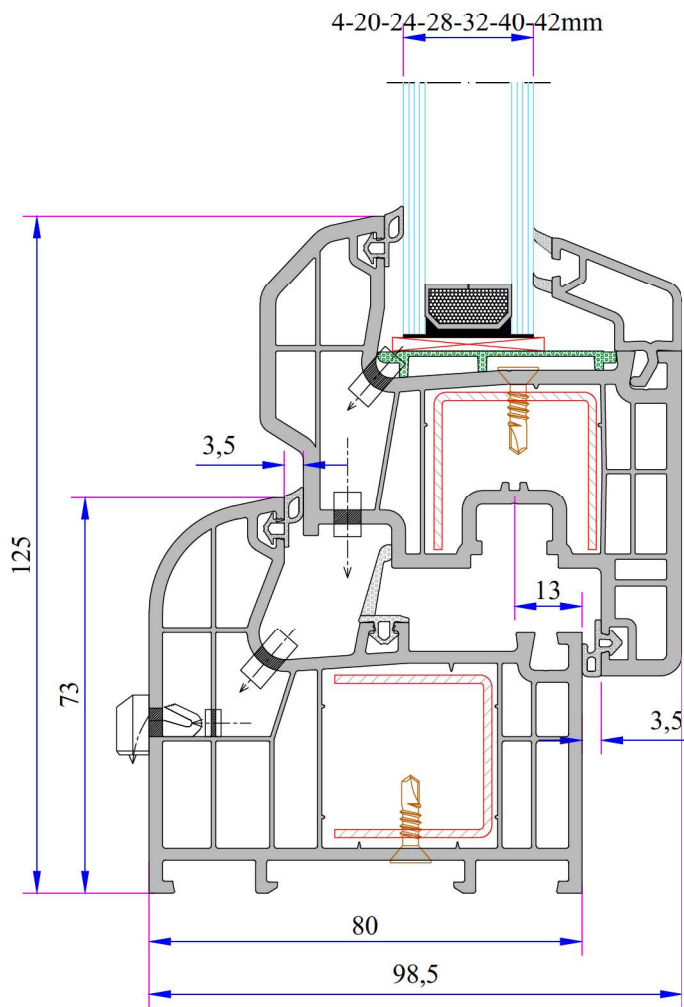
Frame - Outward Opening Door Sash Installation



Large Coupling Installation

Frame Lifting Installation

Short Coupling Installation



## TECHNICAL

### W 873 SERIES

**Profile Width:** 80 mm

**Number of chambers:** 6

**Profile Class:** B Class (TS EN 12608-1)

**Seal Type:** External / Internal triple seal system

**Seal Type and Color:** TPE - Grey /Black

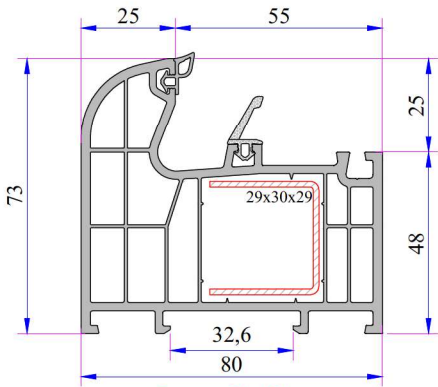
**Glass Thickness (mm):** 4, 20, 24, 28, 32, 40, 42 mm

**The thermal insulation Uf:** 1,15 W/m<sup>2</sup>K

## INSTRUCTION

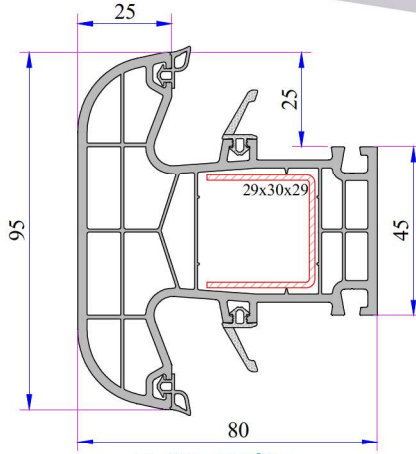
- The profiles have frame 80 mm, sash 70 mm width.
- Because of the elastic grey and black seal which does not leave any stain on profiles will be provided maximum air, water, dust and sound isolation.
- Due to the 6 chambers profiles, it has maximum performance for thermal, sound and water isolation.
- It is a series of profiles with very special design that provides maximum wind resistance on high rise buildings.
- In addition to white profile a different laminated color range is available.
- 4-5 mm single glazing, application of 20, 24, 32, 42 mm glazing beads give us alternatives of using double, triple glazing and panels.

# W 873 SERIES PVC PROFILE SYSTEM



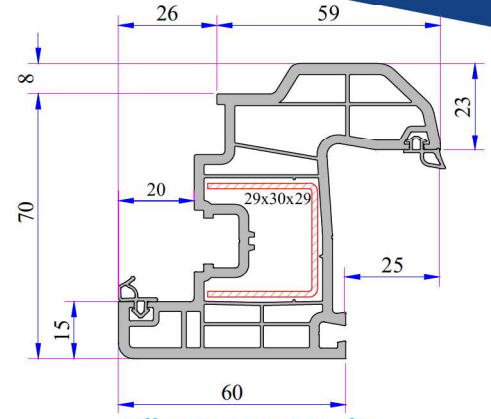
**Frame Profile**

Code: P.A.873.1000.600.0.BC.03



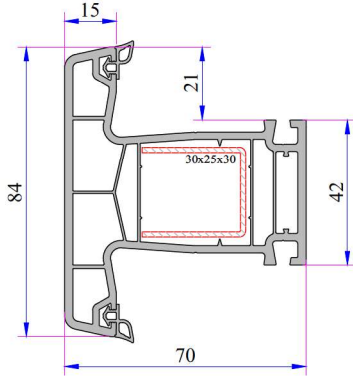
**Mullion Profile**

Code: P.A.873.3000.600.0.BC.03



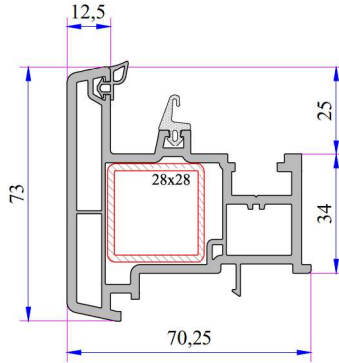
**Offset Type Sash Profile**

Code: P.A.777.2000.600.0.BC.03



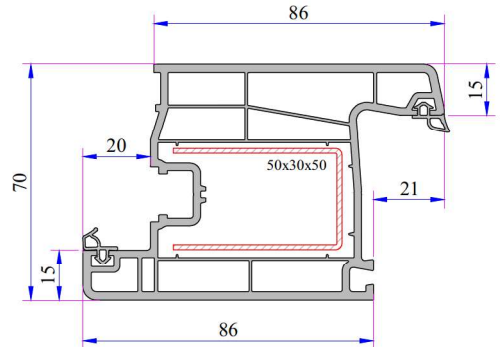
**Mullion Profile For Door**

Code: P.A.750.3000.600.0.BC.03



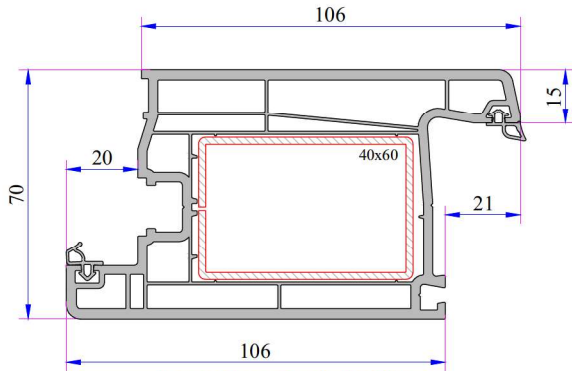
**Lap Joint Profile**

Code: P.A.777.3100.600.0.BC.19



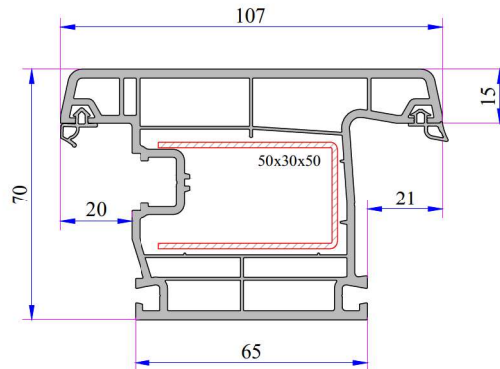
**Door Sash Profile**

Code: P.A.750.2100.600.0.BC.03



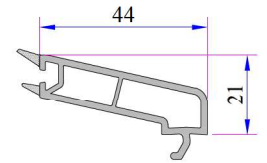
**Super Door Sash Profile**

Code: P.A.750.2103.600.0.BC.03



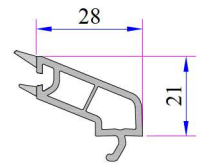
**Outward Opening Door Sash Profile**

Code: P.A.750.2101.600.0.BC.03



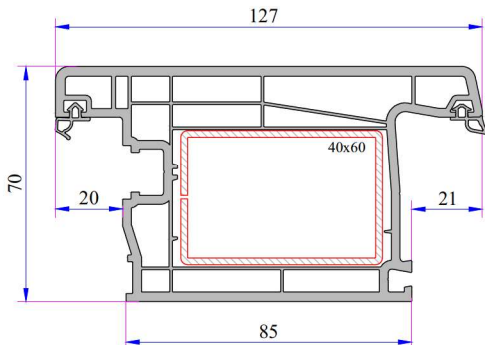
**Single Glazing Bead 4-6 mm**

Code: P.A.750.4000.600.0.HC



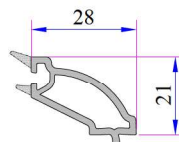
**Double Glazing Bead 20 mm**

Code: P.A.750.4100.600.0.HC



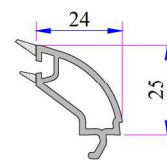
**Outward Opening Super Door Sash Profile**

Code: P.A.752.2104.600.0.BC.03



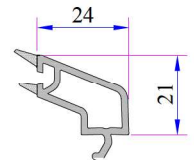
**Dec. Double Glazing Bead 20 mm**

Code: P.A.750.4102.600.0.HC



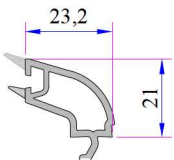
**Double Glazing Bead 24 mm**

Code: P.A.777.4204.600.0.HC



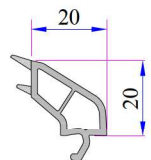
**Double Glazing Bead 24 mm**

Code: P.A.750.4200.600.0.HC



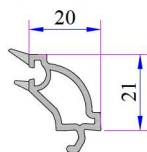
**Double Glazing Bead 24 mm**

Code: P.A.750.4204.600.0.HC



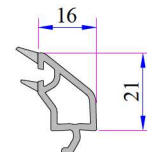
**Double Glazing Bead 28 mm**

Code: P.A.101.4100.600.0.HC



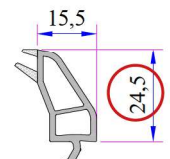
**Dec. Double Glazing Bead 28 mm**

Code: P.A.101.4102.600.0.HC



**Triple Glazing Bead 32 mm**

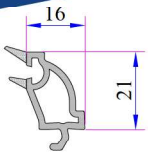
Code: P.A.750.4500.600.0.HC



**Triple Glazing Bead 32 mm**

Code: P.A.777.4302.600.0.HC

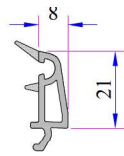
# W 873 SERIES PVC PROFILE SYSTEM



**Dec. Triple Bead 32 mm**

Code:

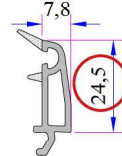
P.A.101.4202.600.0.HC



**Triple Glazing Bead 40 mm**

Code:

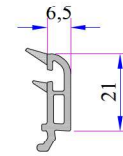
P.A.101.4500.600.0.HC



**Triple Glazing Bead 40 mm**

Code:

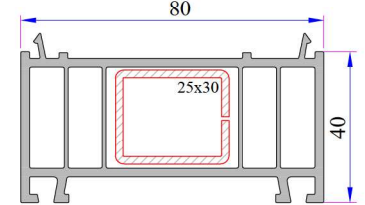
P.A.433.4500.600.0.HC



**Triple Glazing Bead 42 mm**

Code:

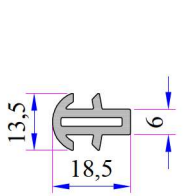
P.A.532.4500.600.0.HC



**Frame Lifting Profile**

Code:

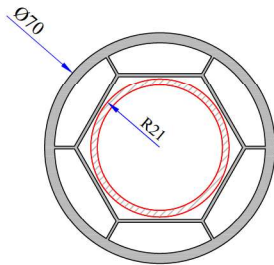
P.A.080.5300.600.0.00.19



**Coupling Profile**

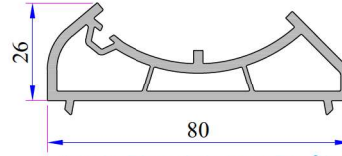
Code:

P.A.099.5003.600



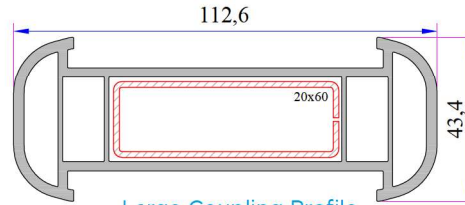
**Pipe Profile**

Code: P.A.070.5106.600



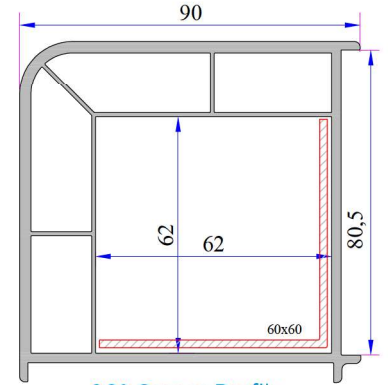
**Angle Pipe Adaptor Profile**

Code: P.A.080.5104.600.0.00.19



**Large Coupling Profile**

Code: P.A.080.5000.600.0.00.19

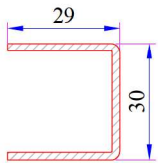


**90° Corner Profile**

Code:

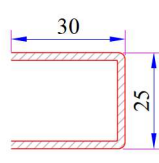
P.A.080.5100.600.0.00.19

## W 873 Re-Inforcement Profiles



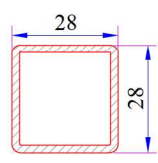
**Frame, Sash, Mullion Profile Reinforcement**

Code: 34022-12002



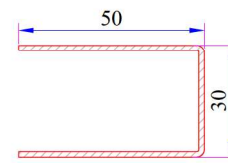
**Mullion Profile For Door Reinforcement**

Code: 34022-12004



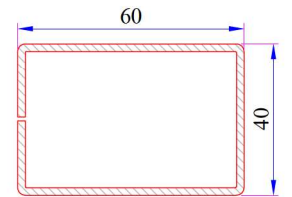
**Lap Joint Profile Reinforcement**

Code: 34022-12113



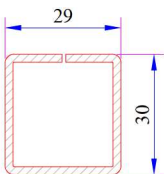
**Door Sash - Outward Opening Door Sash Profile Reinforcement**

Code: 34022-12013



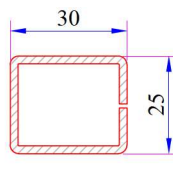
**Super Door Sash - Super Outward Opening Door Sash Profile Reinforcement**

Code: 34022-12110



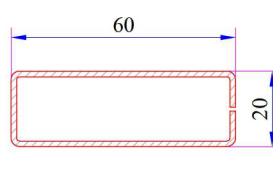
**Mullion Profile Static Reinforcement**

Code: 34022-15129



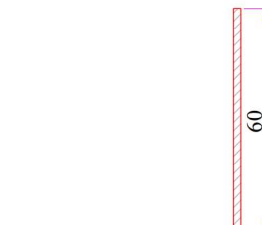
**Frame Lifting Profile Reinforcement**

Code: 34022-12119



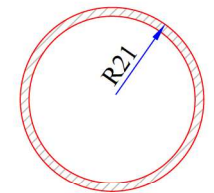
**Large Coupling Profile Reinforcement**

Code: 34022-12106



**90° Corner Profile Reinforcement**

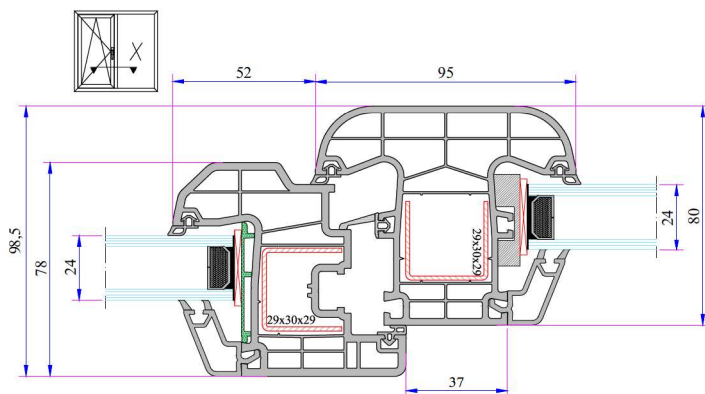
Code: 34022-12306



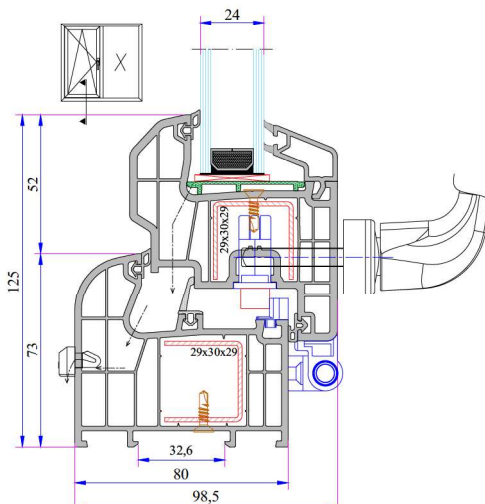
**Pipe Profile Reinforcement**

Code: 34022-12502

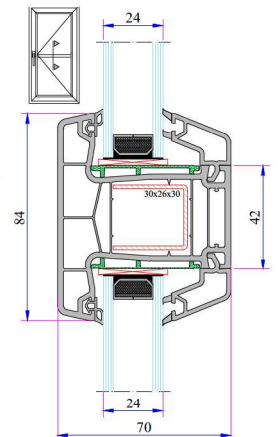
## W 873 Installation



**Mullion - Offset type sash Installation**

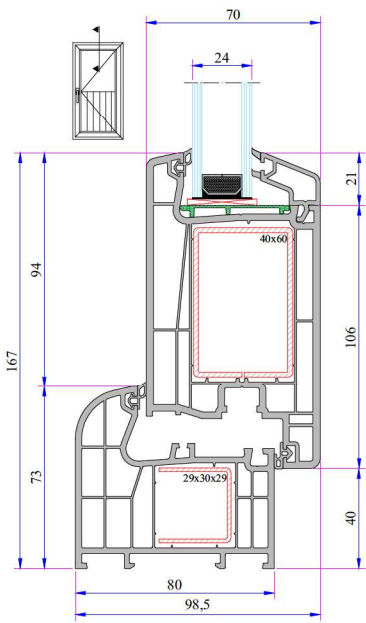


**Frame-Sash Installation**

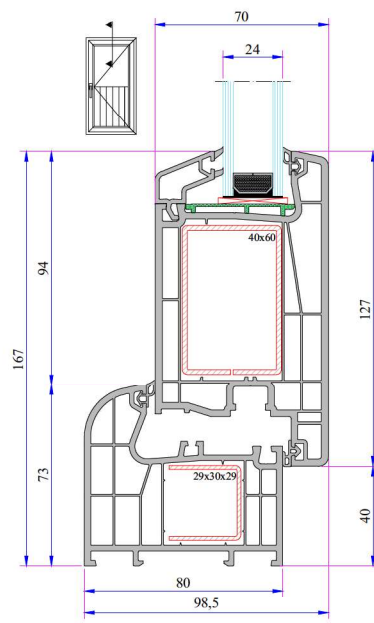


**Door Sash- Mullion Installation**

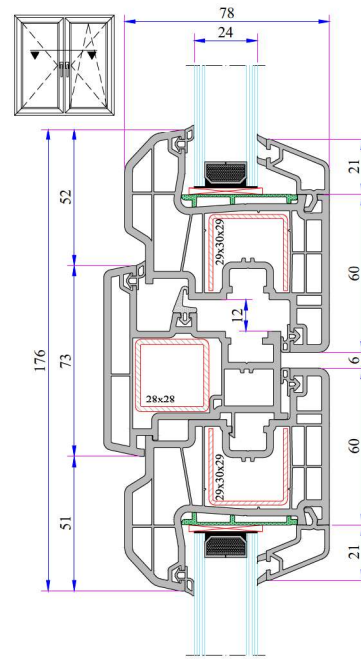
# W 873 SERIES PVC PROFILE SYSTEM



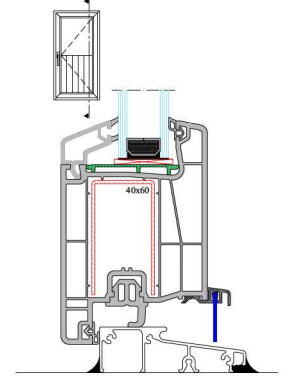
Frame - Super Door Sash Installation



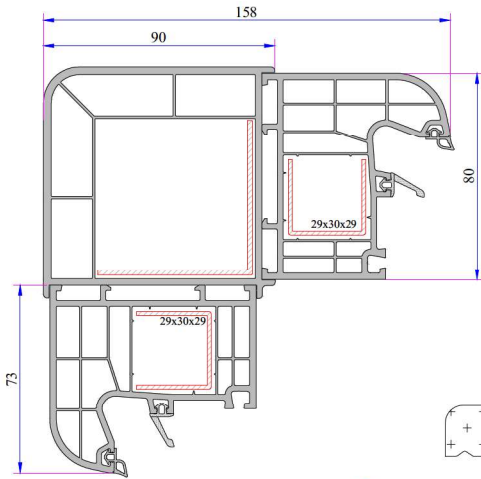
Frame - Super Outward Opening Door Sash Installation



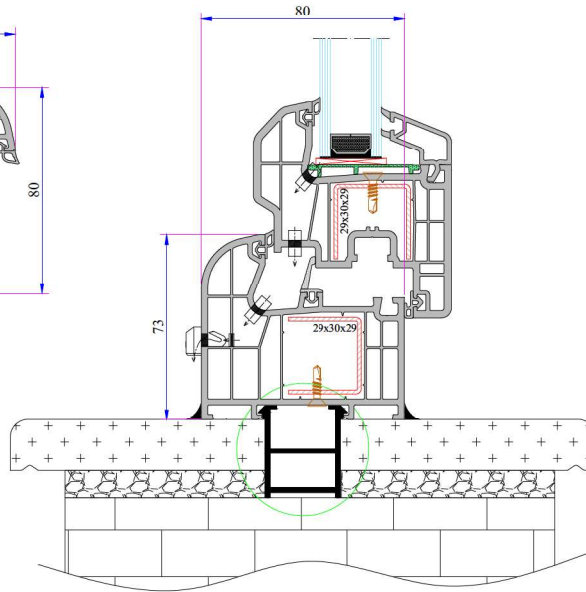
Sash -Lap Joint - Sash Installation



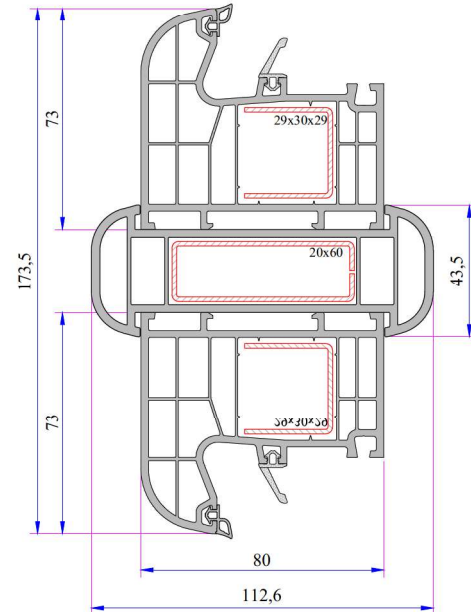
With Aluminium Threshold - Door Sash Installation



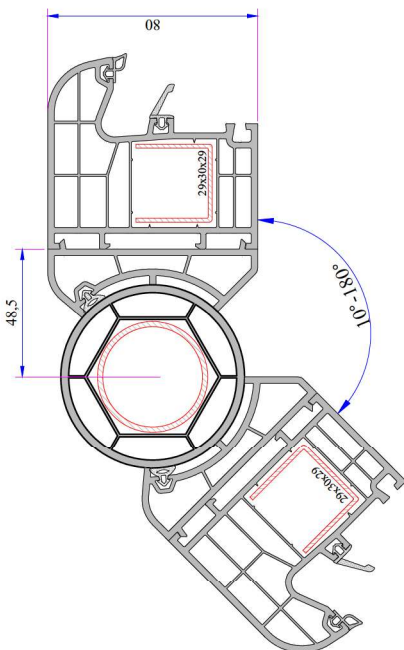
90° Corner Profile Installation



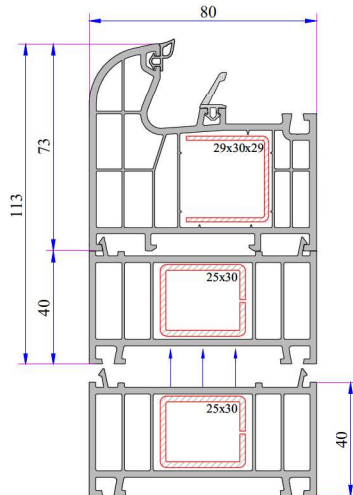
Frame Profile Installation



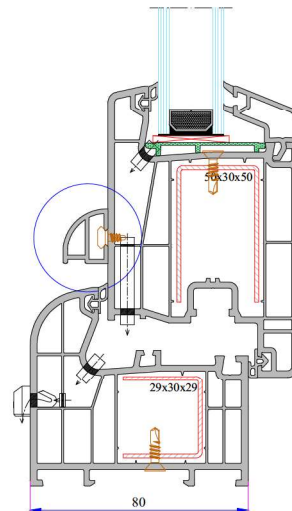
Large Coupling Profile Installation



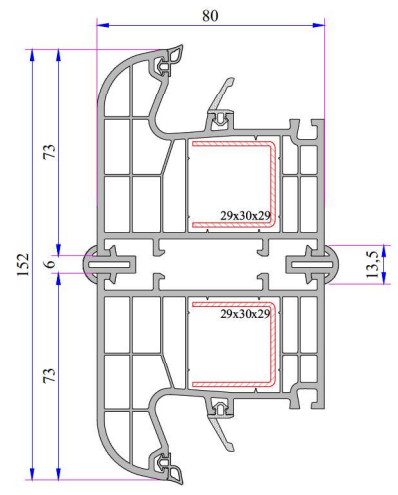
Pipe Profile Installation



Frame Lifting Profile Installation



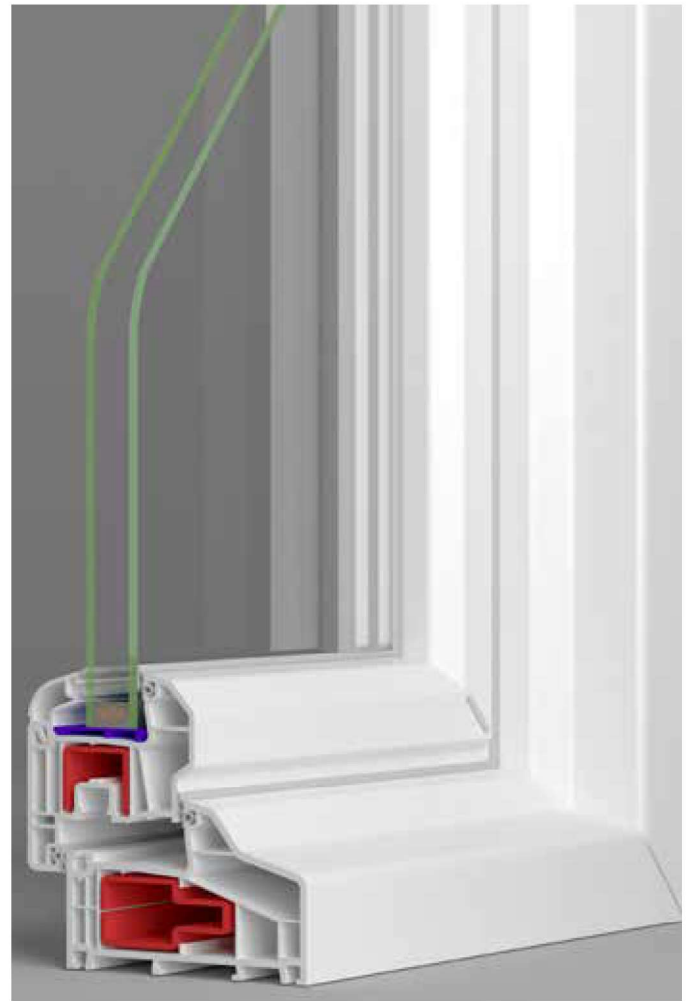
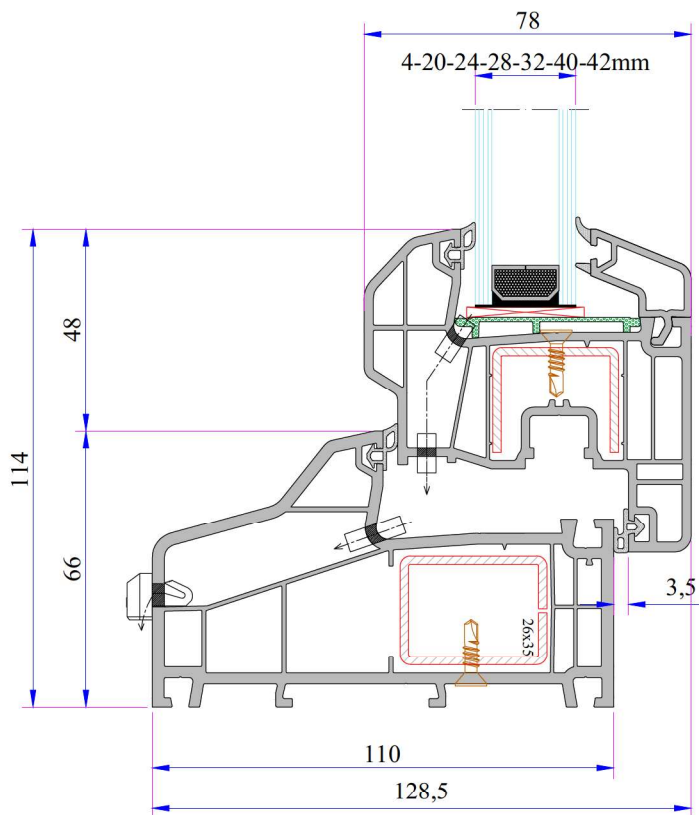
Offset Profile Installation



Short Coupling Profile Installation







## TECHNICAL

### W 790 SERIES

**Profile Width:** 110 mm

**Number of chambers:** 5

**Profile Class:** A Class (TS EN 12608-1) /  
RAL 716-GZ A Class

**Seal Type:** External / Internal double seal  
system

**Seal Type and Color:** TPE - Grey /Black

**Glass Thickness (mm):** 4, 20, 24, 28, 32,  
40, 42 mm

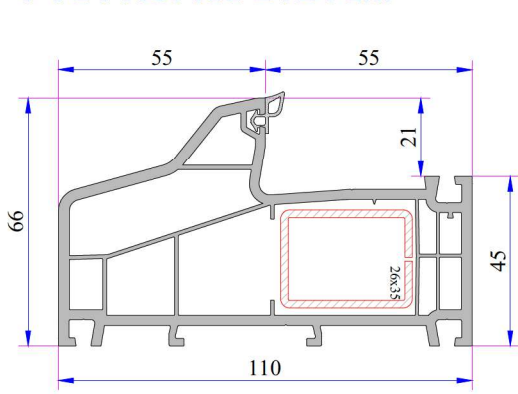
**The thermal insulation Uf:** 1,36 W/m<sup>2</sup>K

## INSTRUCTION

- The main profiles have 110 mm width.
- Because of the elastic grey and black seal which does not leave any stain on profiles will be provided maximum air, water, dust and sound isolation.
- Due to the 5 chambers profiles, it has maximum performance for thermal, sound and water isolation.
- It is a series of profiles with very special design that provides maximum wind resistance on high rise buildings.
- In addition to main white profile it has a different laminated color range.
- 4-5 mm single glazing application of 4, 20, 24, 28, 32, 40, 42 mm glazing beads give us alternatives of using double, triple glazing and panels.

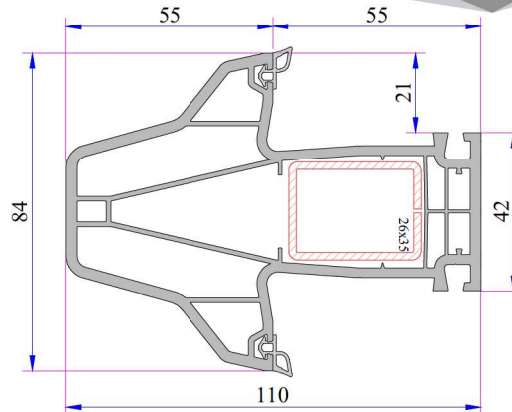


# W 790 SERIES PVC PROFILE SYSTEM



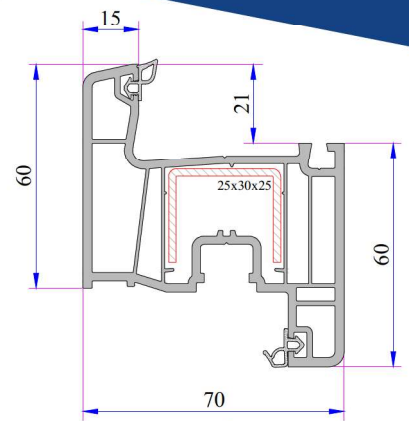
W 790 Frame Profile

Code: P.A.790.1000.600.0.BC.03



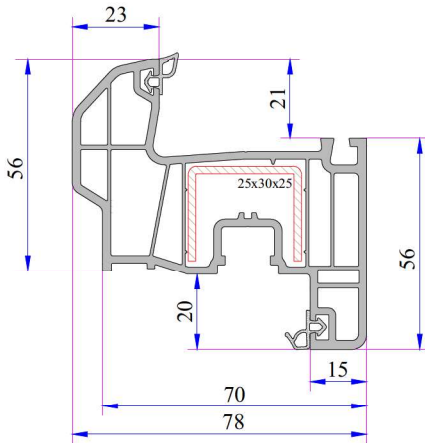
W 790 Mullion Profile

Code: P.A.790.3000.600.0.BC.03



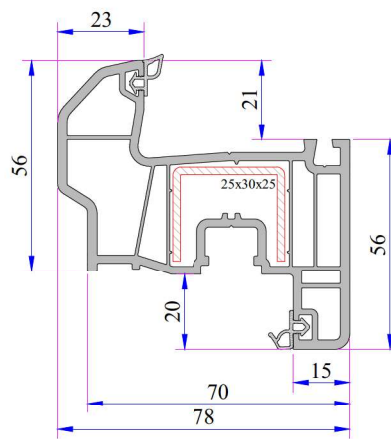
Sash Profile

Code: P.A.750.2000.600.0.BC.03



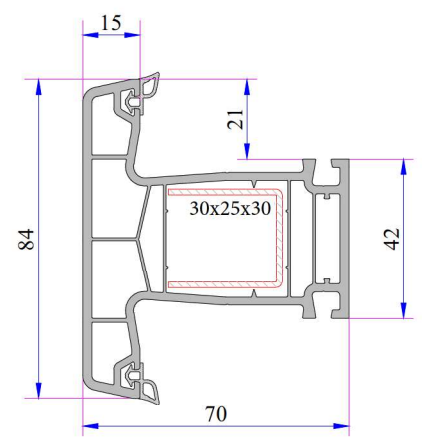
Offset Type Sash Profile  
(6 Chambers)

Code: P.A.750.2205.600.0.BC.03



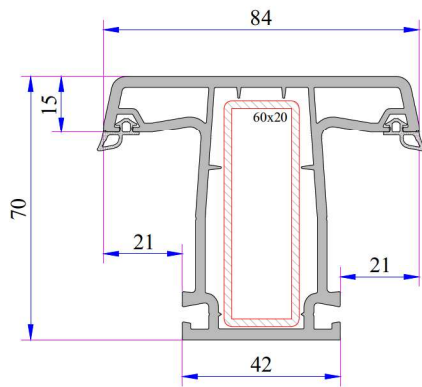
Offset Type Sash Profile

Code: P.A.750.2200.600.0.BC



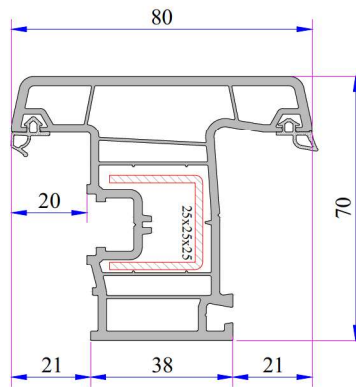
Mullion For Door Profile

Code: P.A.750.3000.600.0.BC.03



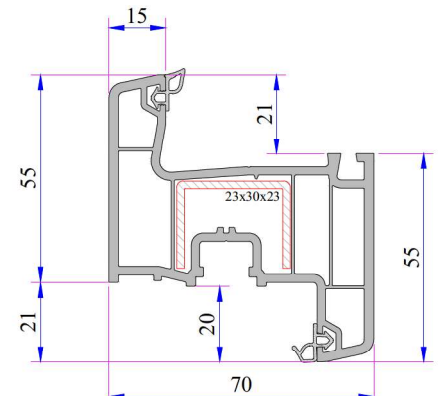
Static Mullion Profile

Code: P.A.750.3009.600.0.BC.03



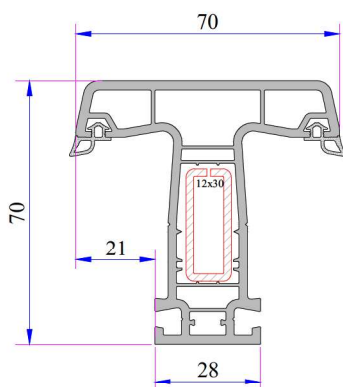
Outward Opening Sash Profile

Code: P.A.750.2001.600.0.BC.03



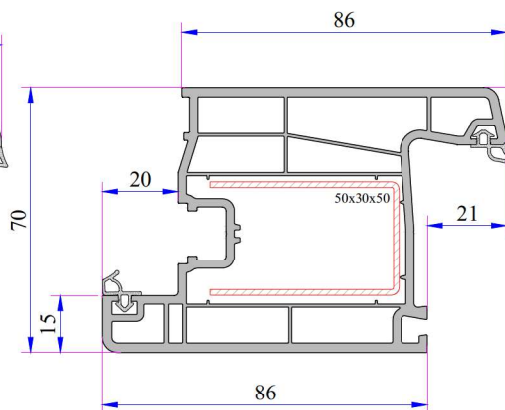
24 Axis. Sash Profile

Code: P.A.750.2003.600.0.BC.03



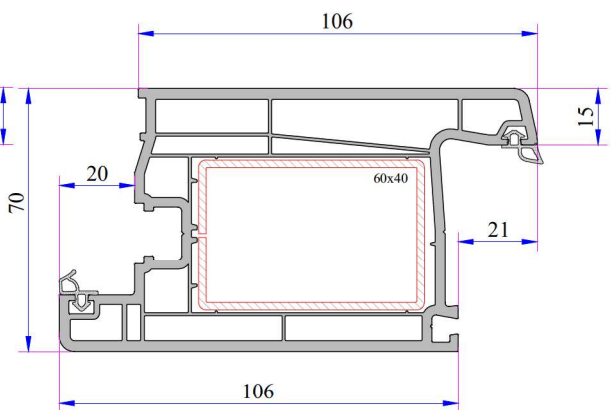
Eco Mullion Profile

Code: P.A.750.3006.600.0.BC.03



Door Sash Profile

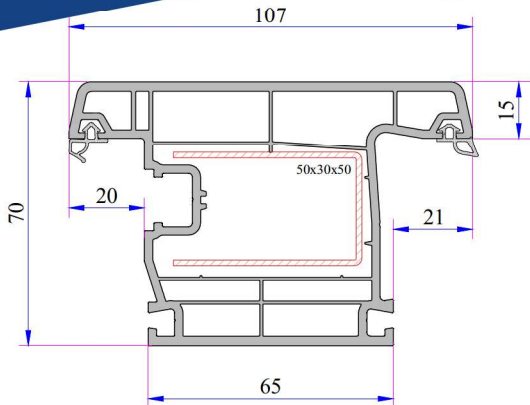
Code: P.A.750.2100.600.0.BC.03



Super Door Sash Profile

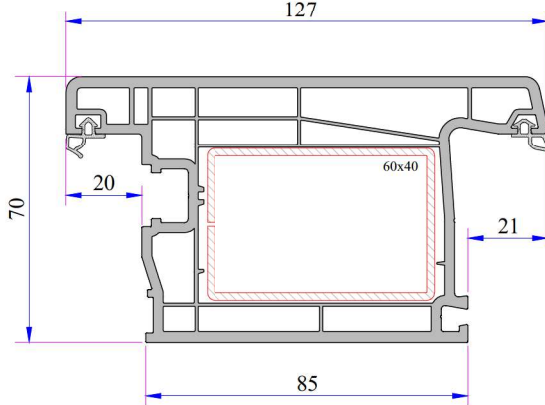
Code: P.A.750.2103.600.0.BC.03

# W 790 SERIES PVC PROFILE SYSTEM



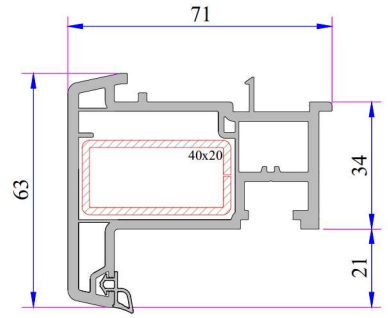
**Outward Opening Door Sash Profile**

Code: P.A.750.2101.600.0.BC.03



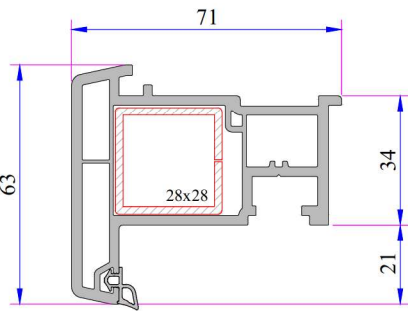
**Outward Opening Super Door Sash Profile**

Code: P.A.752.2104.600.0.BC.03



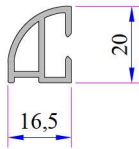
**Static Lap Joint Profile (Spiked)**

Code: P.A.750.3101.600.0.BC.19



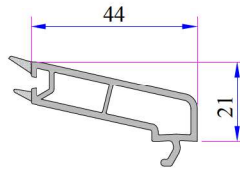
**Lap Joint Profile**

Code: P.A.750.3100.600.0.BC.19



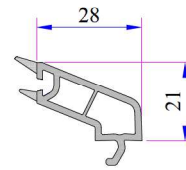
**Offset Profile**

Code: P.A.900.6307.600



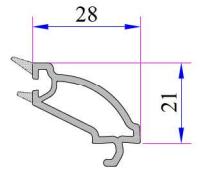
**Single Glazing Bead 4-6mm**

Code: P.A.750.4000.600.0.HC



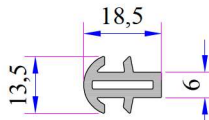
**Double Glazing Bead 20 mm**

Code: P.A.750.4100.600.0.HC



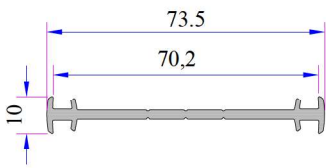
**Double Glazing Bead 20 mm**

Code: P.A.750.4102.600.0.HC



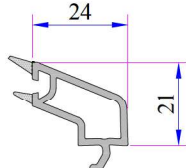
**Short Coupling Profile**

Code: P.A.099.5003.600



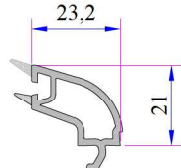
**Narrow Coupling Profile**

Code: P.A.070.5001.600



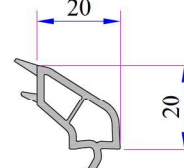
**Double Glazing Bead 24 mm**

Code: P.A.750.4200.600.0.HC



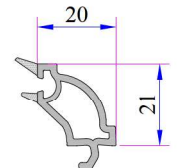
**Double Glazing Bead 24 mm**

Code: P.A.750.4204.600.0.HC



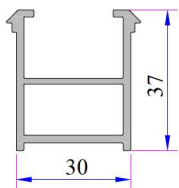
**Double Glazing Bead 28 mm**

Code: P.A.101.4100.600.0.HC



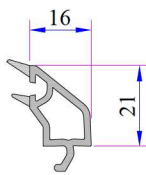
**Dec. Double Glazing Bead 28 mm**

Code: P.A.101.4102.600.0.HC



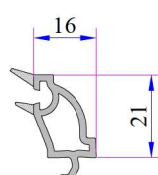
**Frame Montage Profile**

Code: P.A.060.5301.600.0.00.19



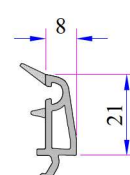
**Triple Glazing Bead 32 mm**

Code: P.A.750.4500.600.0.HC



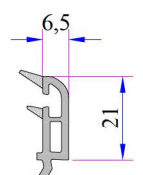
**Triple Glazing Bead 32 mm**

Code: P.A.101.4202.600.0.HC



**Triple Glazing Bead 40 mm**

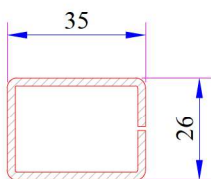
Code: P.A.101.4500.600.0.HC



**Triple Glazing Bead 42 mm**

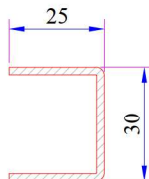
Code: P.A.532.4500.600.0.HC

## W 790 Re-Inforcement Profiles



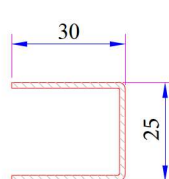
**Frame - Mullion Profile Reinforcement**

Code: 34022-12116



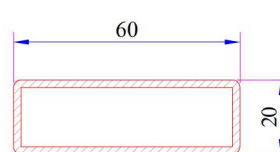
**Sash - Offset Type Sash Profile Reinforcement**

Code: 34022-12025



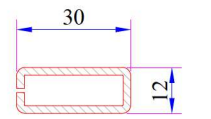
**Mullion For Door Profile Reinforcement**

Code: 34022-12004



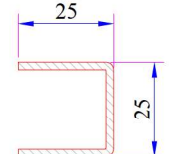
**Static Mullion Profile Reinforcement**

Code: 34022-12106



**Eco Mullion Profile Reinforcement**

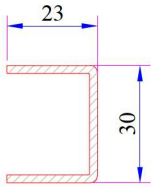
Code: 34022-12115



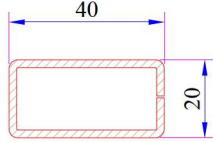
**Outward Opening Sash Profile Reinforcement**

Code: 34022-12003

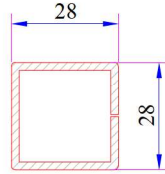
# W 790 SERIES PVC PROFILE SYSTEM



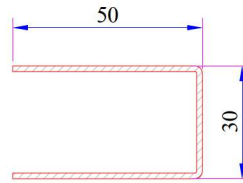
24 Axis Sash Profile Reinforcement  
Code: 34022-12030



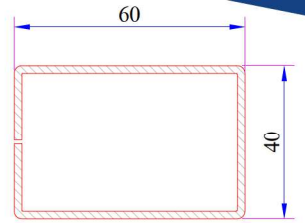
Static Lap Joint Profile Reinforcement  
Code: 34022-12114



Lap Joint Profile Reinforcement  
Code: 34022-12113

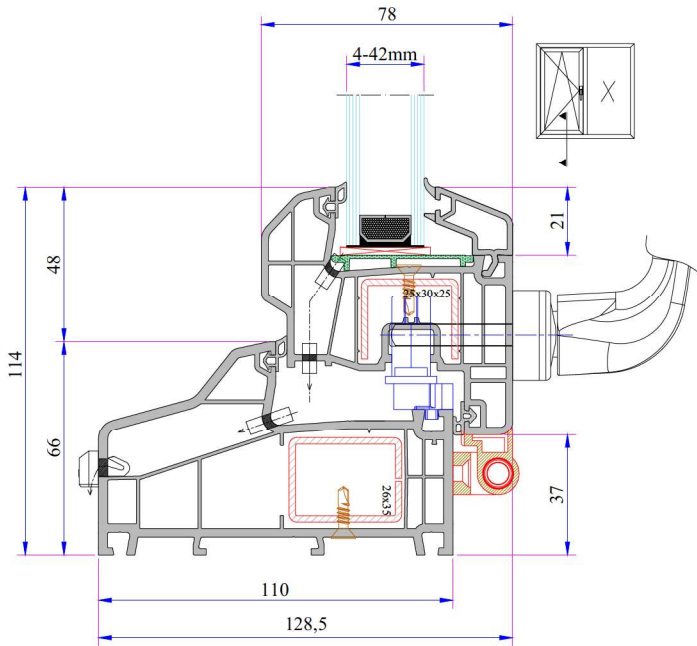


Door Sash - Outward Opening Door Sash Reinforcement  
Code: 34022-12013

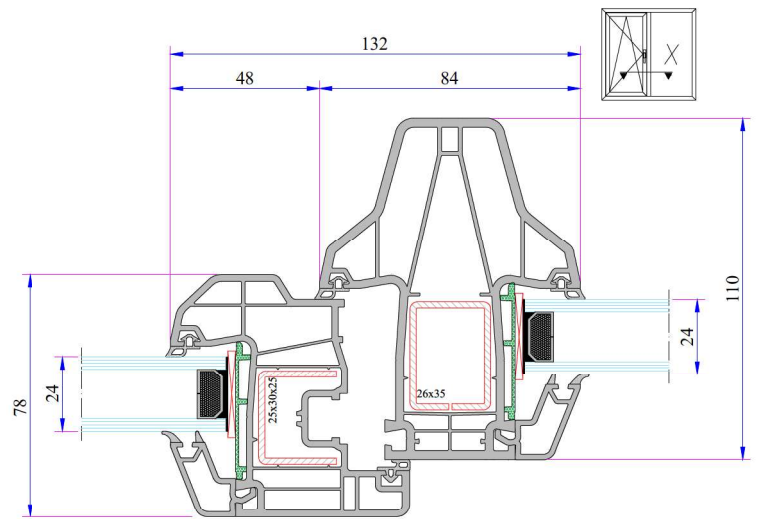


Super Door Sash - Outward Opening Super Door Sash Reinforcement  
Code: 34022-12110

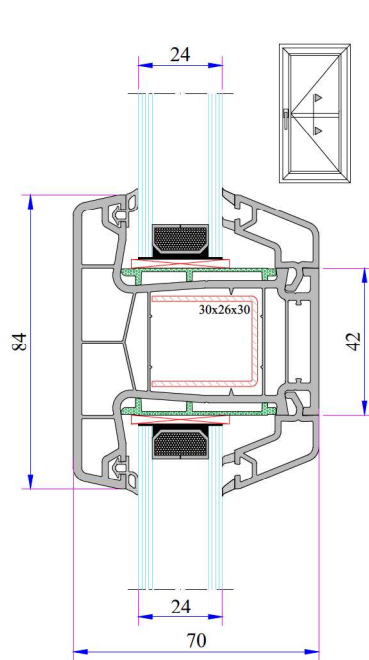
## W 790 Installation



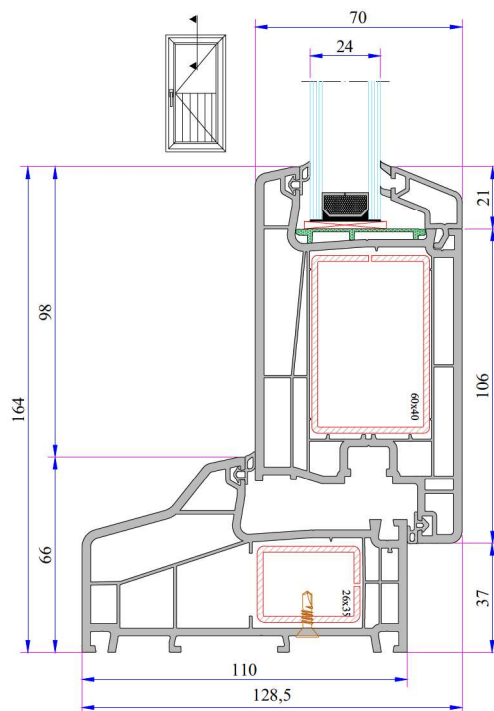
Frame - Sash Installation



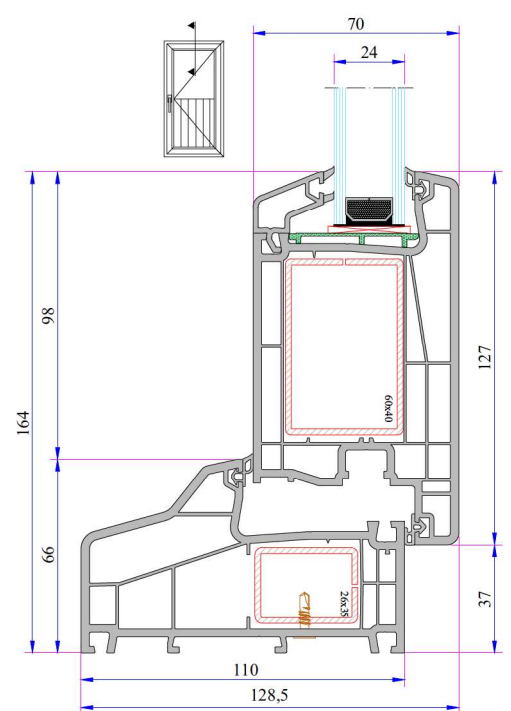
Mullion - Offset Type Sash Installation



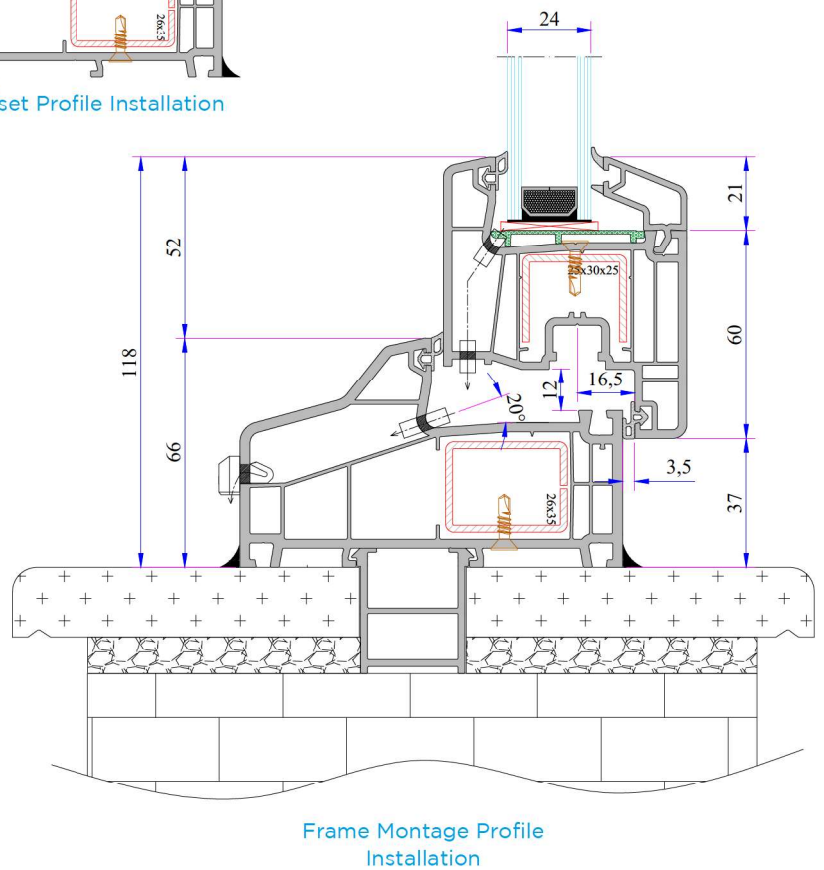
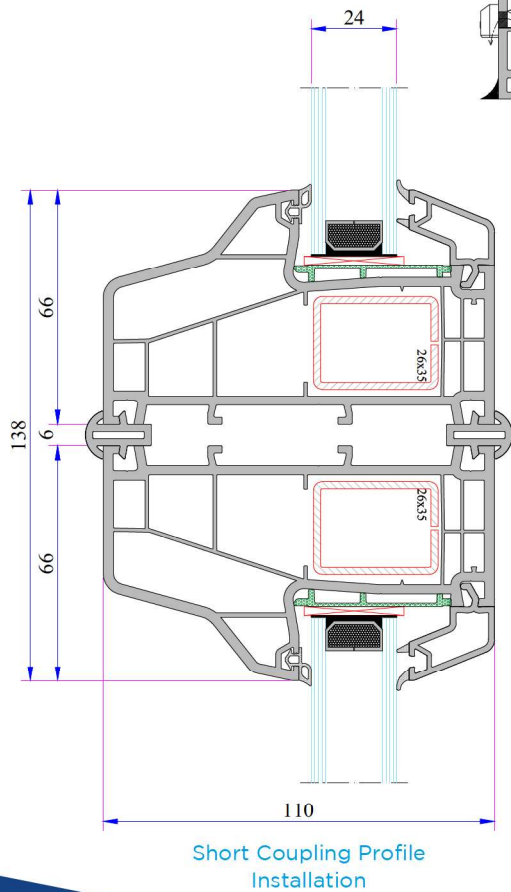
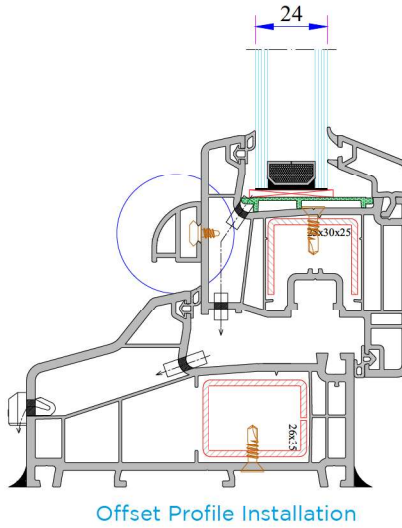
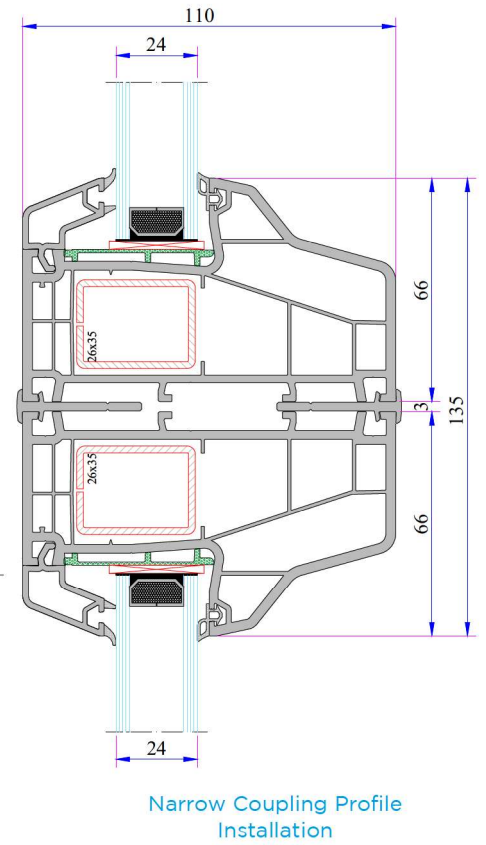
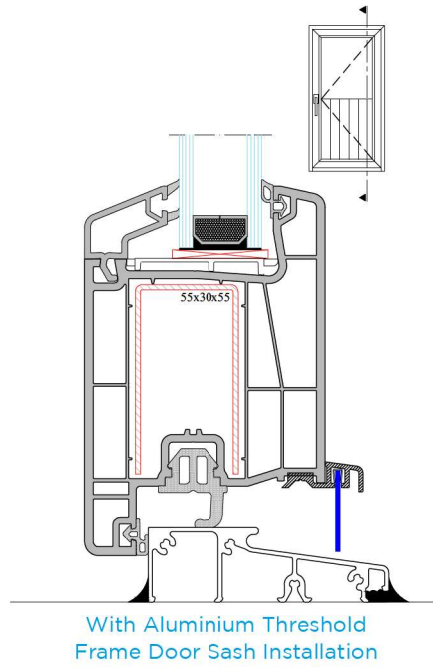
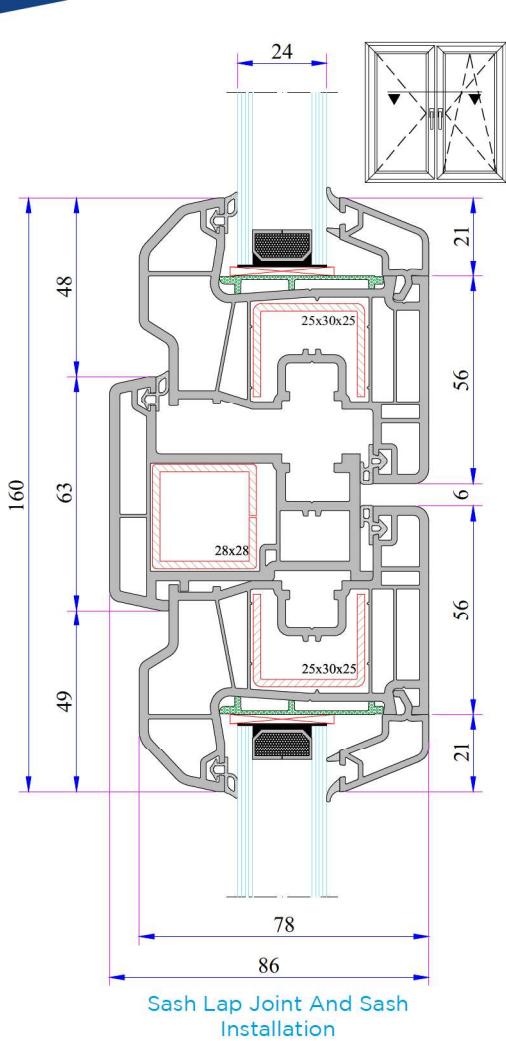
Mullion For Door Profile Installation



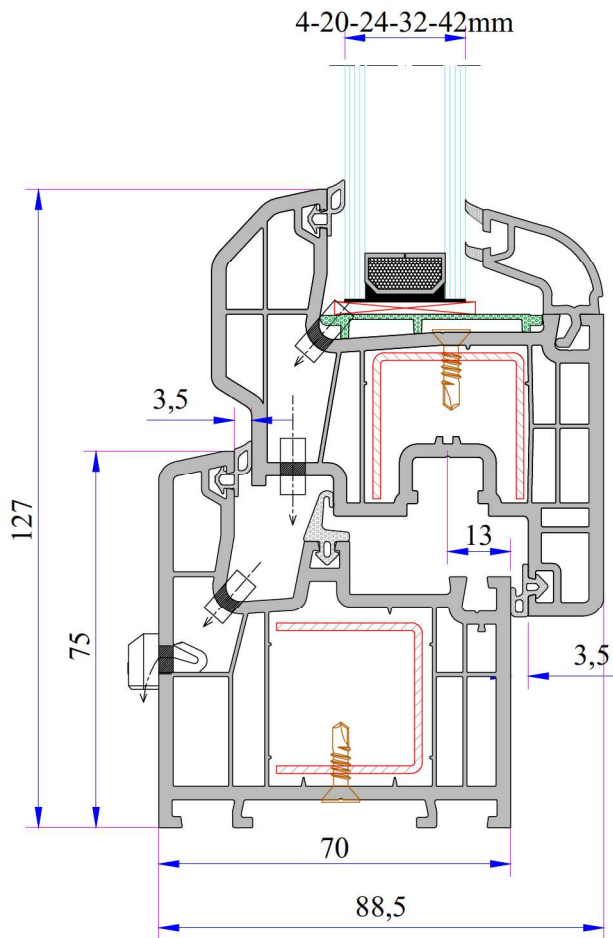
Frame - Super Door Sash Installation



Frame - Outward Opening Super Door Sash Installation







## TECHNICAL

### W 777 SERIES

**Profile Width:** 70 mm

**Number of chambers:** 5

**Profile Class:** A Class (TS EN 12608-1)

**Seal Type:** External / Internal triple seal system

**Seal Type and Color:** TPE - Grey /Black

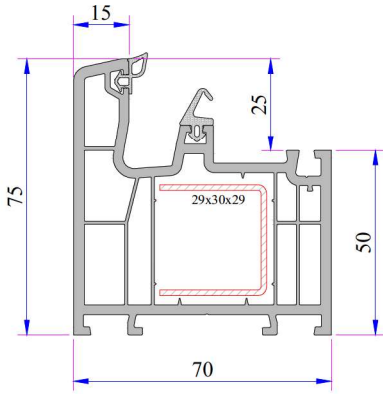
**Glass Thickness (mm):** 4, 20, 24, 28, 32, 40, 42 mm

**The thermal insulation Uf:** 1,22 W/m<sup>2</sup>K

## INSTRUCTION

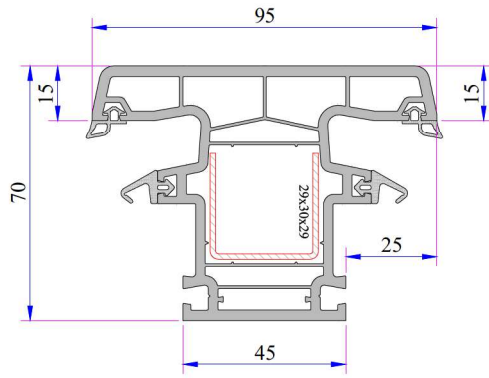
- The main profiles have 70 mm width.
- Because of the elastic grey and black seal which does not leave any stain on profiles will be provided maximum air, water, dust and sound isolation.
- Due to the 5 chambers profiles, it has maximum performance for thermal, sound and water isolation.
- It is a series of profiles with very special design that provides maximum wind resistance on high rise buildings.
- In addition to white profile a different laminated color range is available.
- 4-5 mm single glazing application of 20, 24, 28, 32, 40, 42 mm glazing beads give us alternatives of using double, triple glazing and panels.

# W 777 SERIES PVC PROFILE SYSTEM



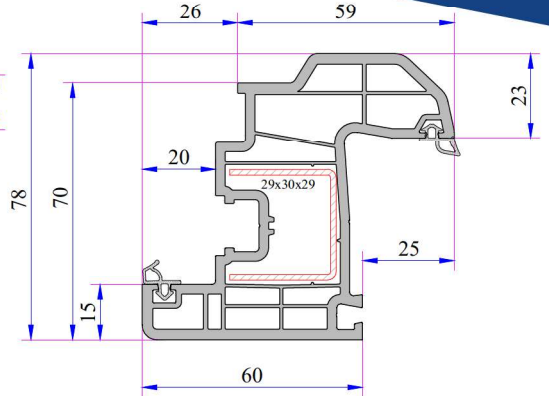
**Frame Profile**

Code: P.A.777.1000.600.0.BC.03



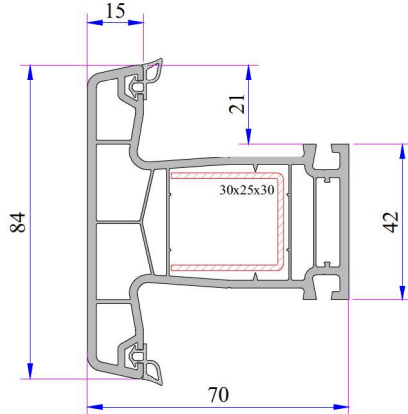
**Mullion Profile**

Code: P.A.777.3000.600.0.BC.03



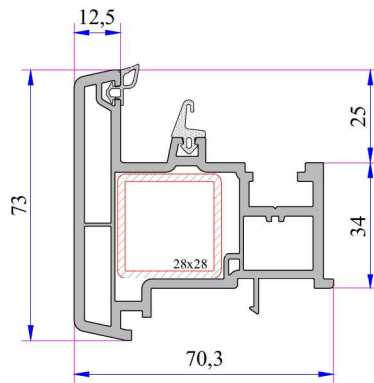
**Offset Type Sash Profile**

Code: P.A.777.2000.600.0.BC.03



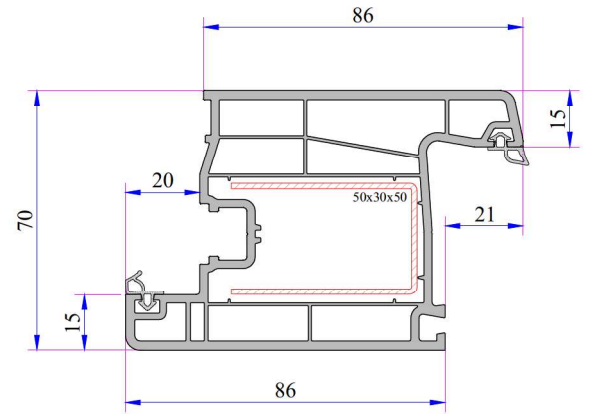
**Mullion For Door Profile**

Code: P.A.750.3000.600.0.BC.03



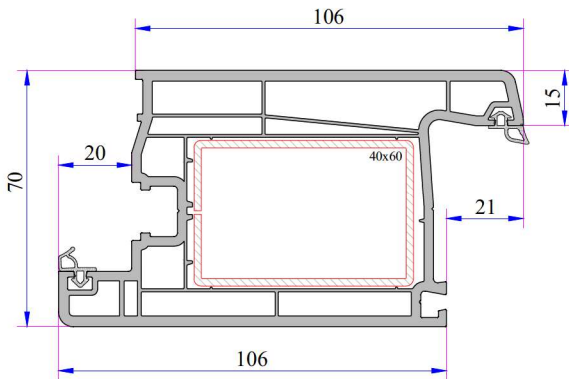
**Lap Joint Profile**

Code: P.A.777.3100.600.0.BC.19



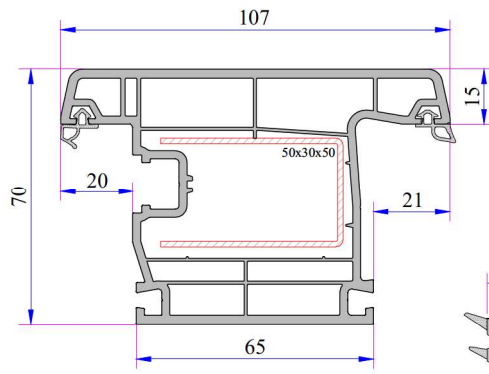
**Door Sash Profile**

Code: P.A.750.2100.600.0.BC.03



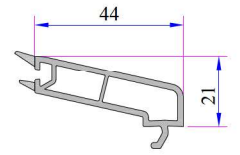
**Super Door Sash Profile**

Code: P.A.750.2103.600.0.BC.03



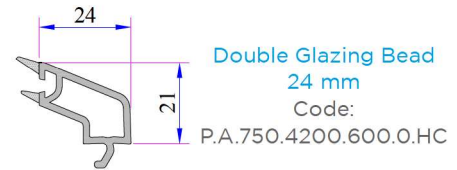
**Outward Opening Door Sash Profile**

Code: P.A.750.2101.600.0.BC.03



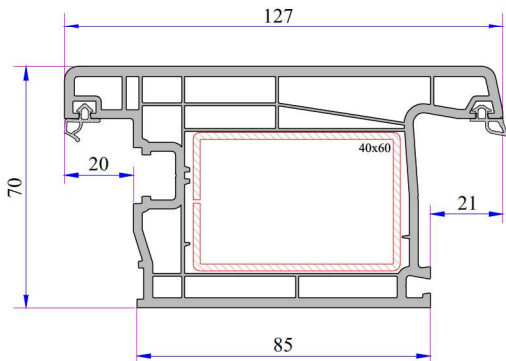
**Single Glazing Bead  
4-6 mm**

Code:  
P.A.750.4000.600.0.HC



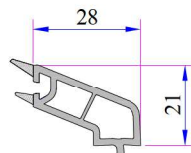
**Double Glazing Bead  
24 mm**

Code:  
P.A.750.4200.600.0.HC



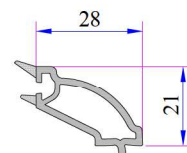
**Outward Opening Super Door  
Sash Profile**

Code: P.A.752.2104.600.0.BC.03



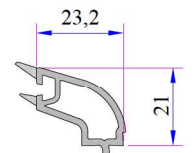
**Double Glazing Bead  
20 mm**

Code:  
P.A.750.4100.600.0.HC



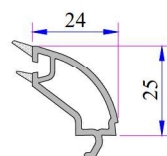
**Dec. Double Glazing  
Bead 20 mm**

Code:  
P.A.750.4102.600.0.HC



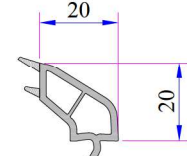
**Double Glazing Bead  
24 mm**

Code:  
P.A.750.4204.600.0.HC



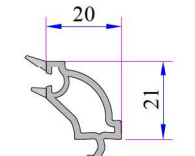
**Double Glazing Bead  
24 mm**

Code:  
P.A.777.4204.600.0.HC



**Double Glazing Bead  
28 mm**

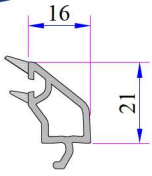
Code:  
P.A.101.4100.600.0.HC



**Dec. Double Glazing  
Bead 28 mm**

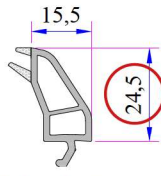
Code:  
P.A.101.4102.600.0.HC

# W 777 SERIES PVC PROFILE SYSTEM



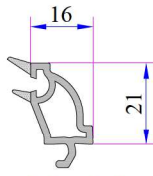
**Triple Glazing Bead  
32 mm**

Code:  
P.A.750.4500.600.0.HC



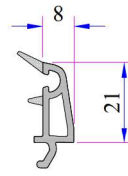
**Triple Glazing Bead  
32 mm**

Code:  
P.A.777.4302.600.0.HC



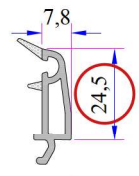
**Dec. Triple Glazing Bead  
32 mm**

Code:  
P.A.101.4202.600.0.HC



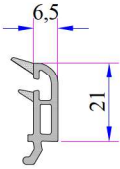
**Triple Glazing Bead  
40 mm**

Code:  
P.A.101.4500.600.0.HC



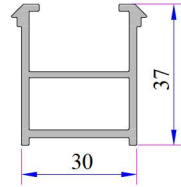
**Triple Glazing Bead  
40 mm**

Code:  
P.A.433.4500.600.0.HC



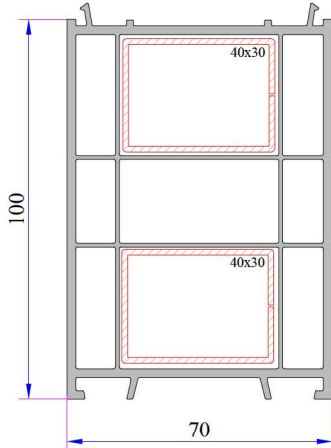
**Triple Glazing Bead  
42 mm**

Code:  
P.A.532.4500.600.0.HC



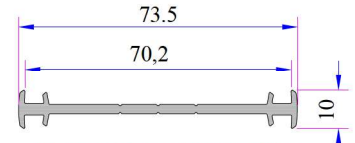
**Frame Montage Profile**

Code:  
P.A.060.5301.600.0.00.19



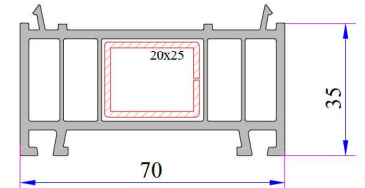
**100mm Frame Lifting Profile**

Code:  
P.A.070.5302.600.0.00.19



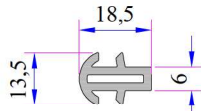
**Narrow Coupling Profile**

Code: P.A.070.5001.600



**35mm Frame Lifting Profile**

Code:  
P.A.070.5300.600.0.00.19



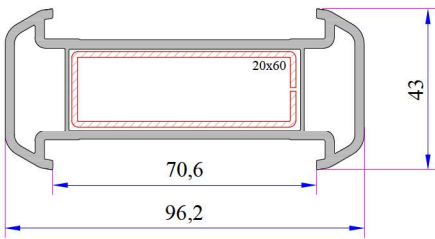
**Short Coupling Profile**

Code:  
P.A.099.5003.600



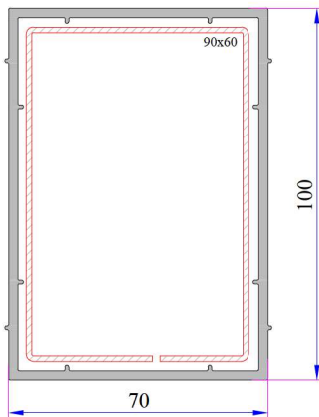
**Offset Profile**

Code: P.A.900.6307.600



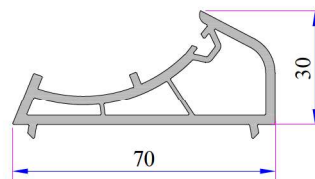
**Large Coupling Profile**

Code: P.A.070.5000.600.0.00.19



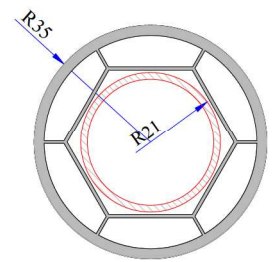
**70x100 mm Box Profile**

Code:  
P.A.070.5202.600.0.00.19



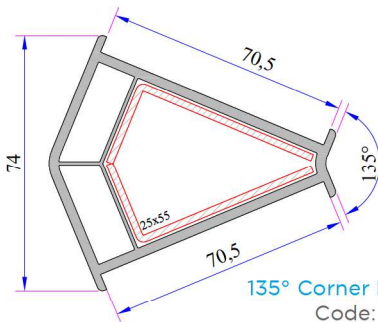
**Corner Lag Profile**

Code:  
P.A.070.5104.600.0.00.19



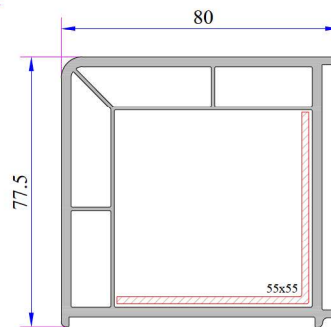
**Pipe Profile**

Code: P.A.070.5106.600



**135° Corner Profile**

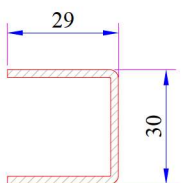
Code:  
P.A.070.5102.600.0.00.19



**90° Corner Profile**

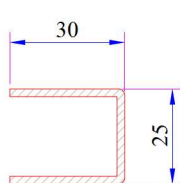
Code:  
P.A.070.5100.600.0.00.19

## W 777 Re-Inforcement Profiles



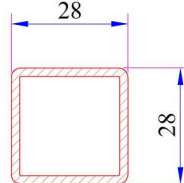
**Frame - Sash - Mullion  
Reinforcement**

Code: 34022-12002



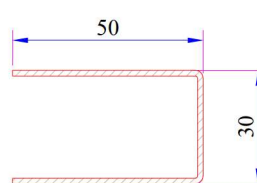
**Mullion For Door Profile  
Reinforcement**

Code: 34022-12004



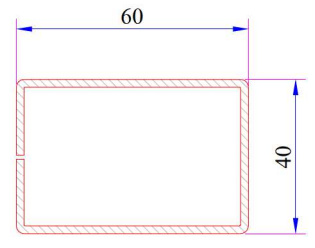
**Lap Joint Profile  
Reinforcement**

Code: 34022-12113



**Door Sash - Outward  
Opening Door Sash  
Reinforcement**

Code: 34022-12013

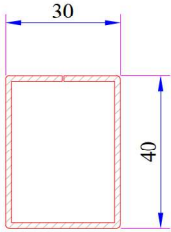


**Super Door Sash - Super  
Outward Opening Door  
Sash Reinforcement**

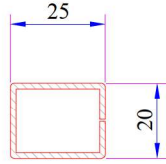
Code: 34022-12110



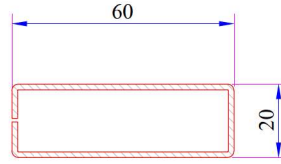
# W 777 SERIES PVC PROFILE SYSTEM



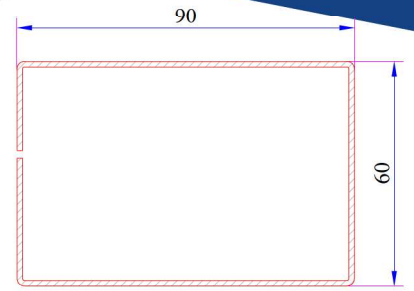
100mm Frame Lifting  
Profile Reinforcement  
Code: 34022-12120



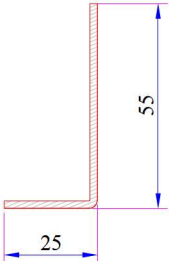
35mm Frame Lifting  
Profile Reinforcement  
Code: 34022-12104



Large Coupling Profile  
Reinforcement  
Code: 34022-12106



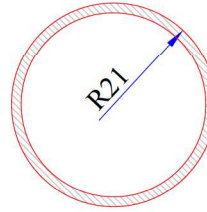
70x100mm Box Profile  
Reinforcement  
Code: 34022-12121



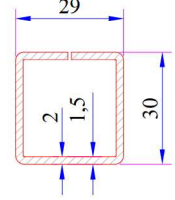
135° Corner Profile Reinforcement  
Code: 34022-12303



90° Corner Profile Reinforcement  
Code: 34022-12305

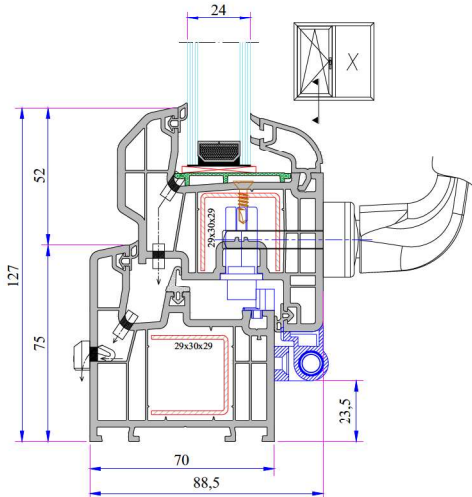


Pipe Profile Reinforcement  
Code: 34022-12502

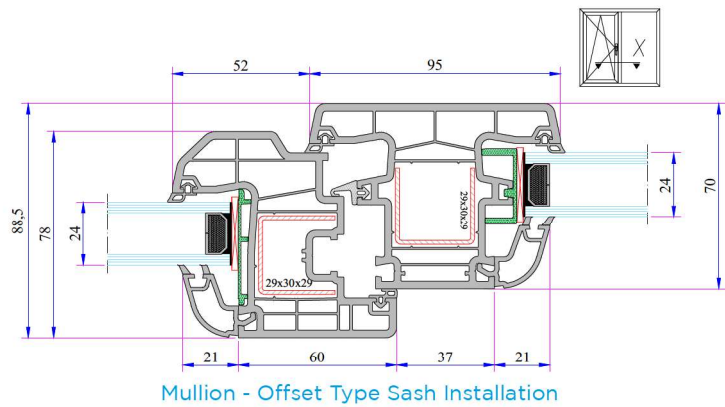


Mullion Profile Static  
Reinforcement  
Code: 34022-15129

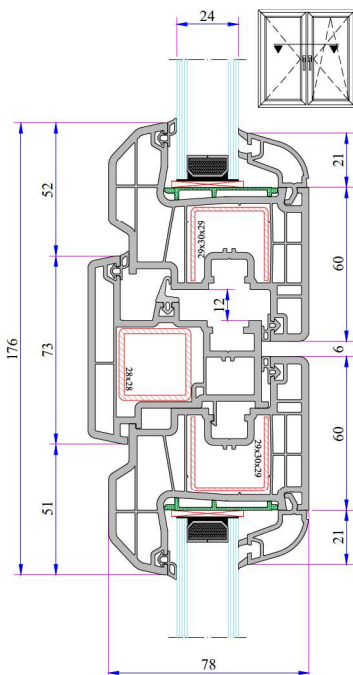
## W 777 Installation



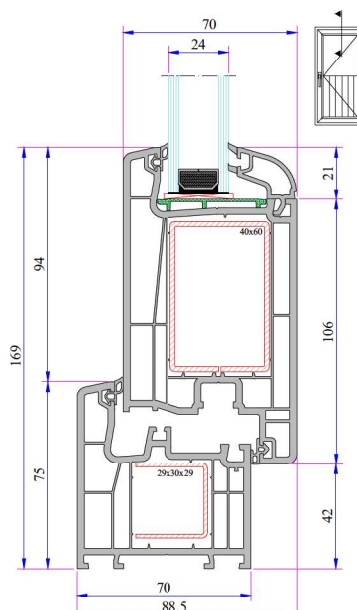
Frame - Offset Type Sash Installation



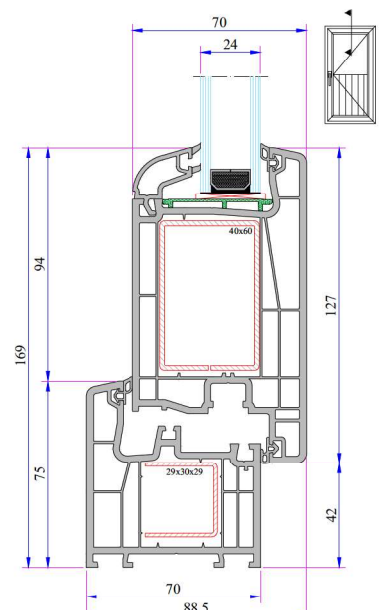
Mullion - Offset Type Sash Installation



Sash Lap Joint And Sash  
Installation

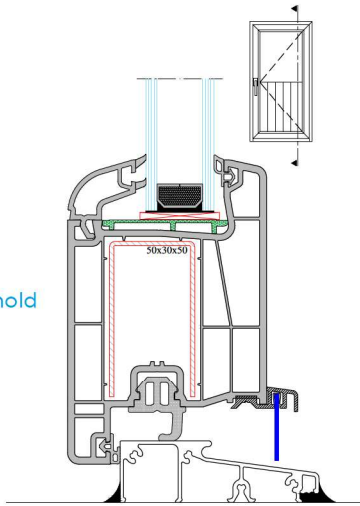


Frame - Super Door Sash  
Installation

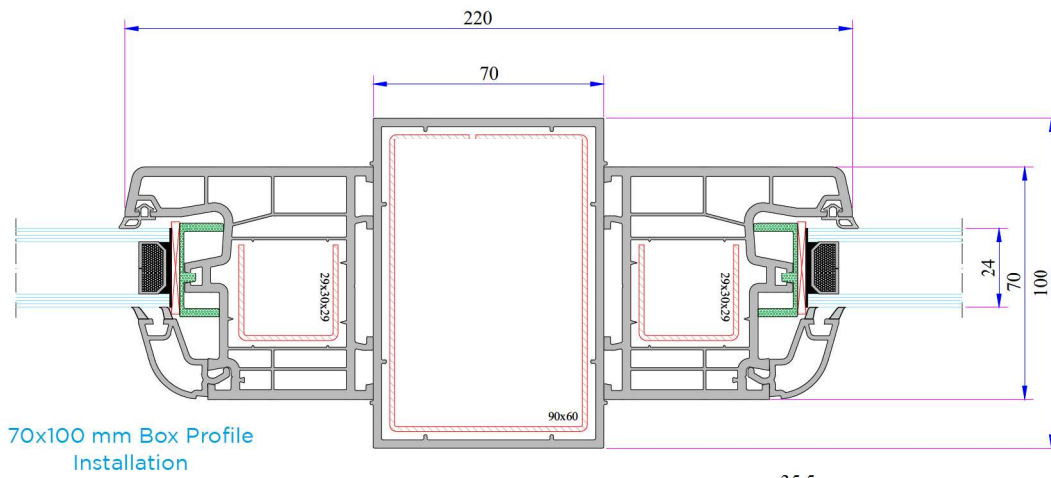
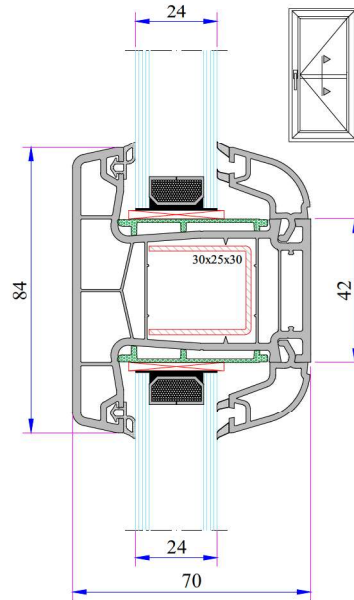


Frame - Super Outward Opening  
Door Sash Installation

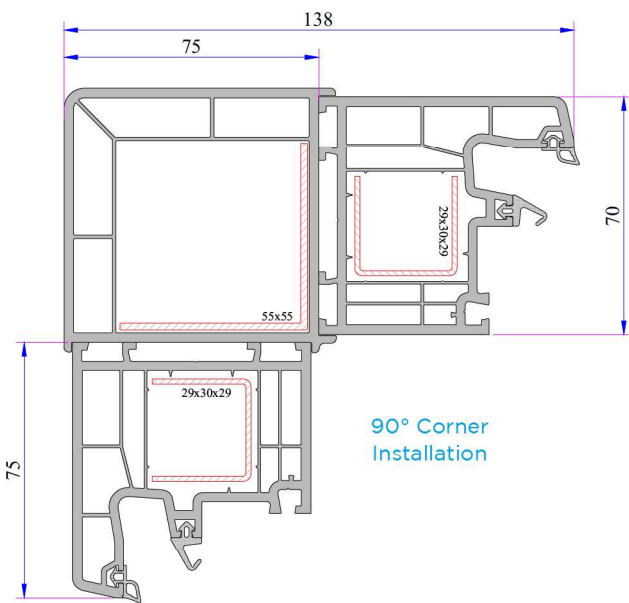
With Aluminium Threshold  
Frame Door Sash  
Installation



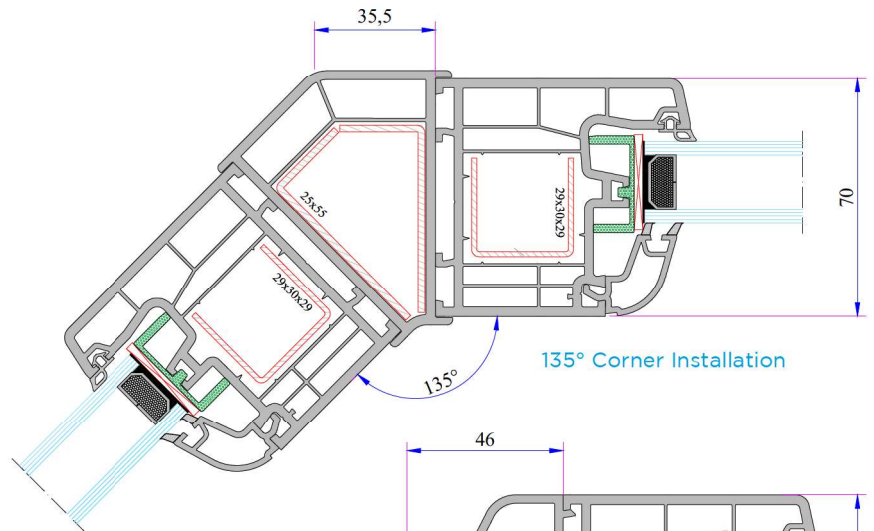
Door Sash Mullion  
Installation



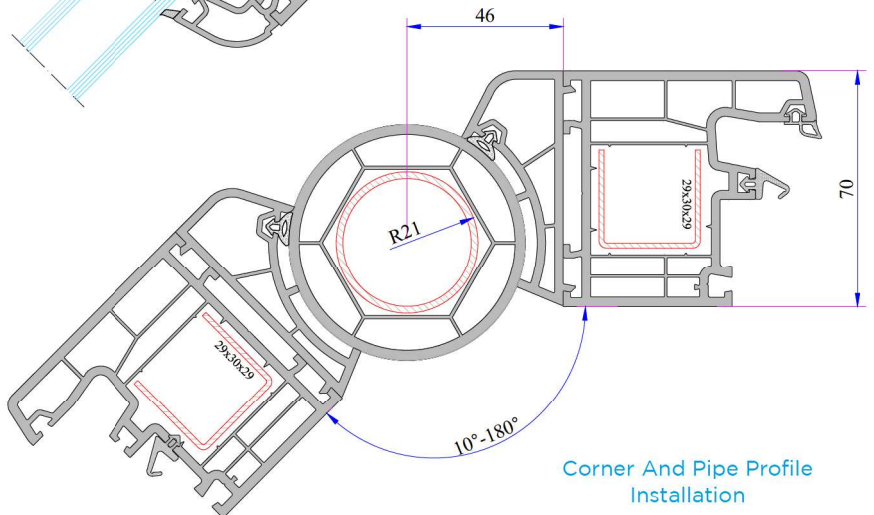
70x100 mm Box Profile  
Installation



90° Corner  
Installation

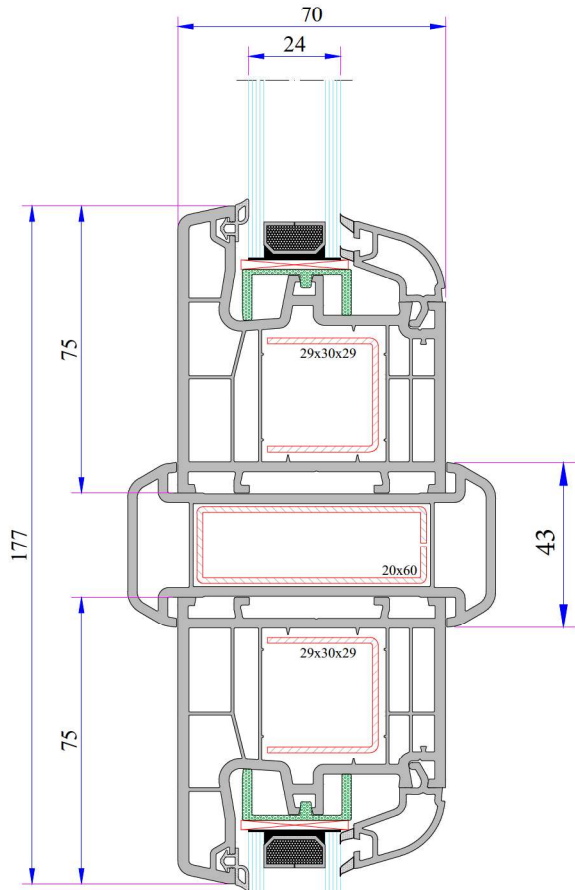


135° Corner Installation

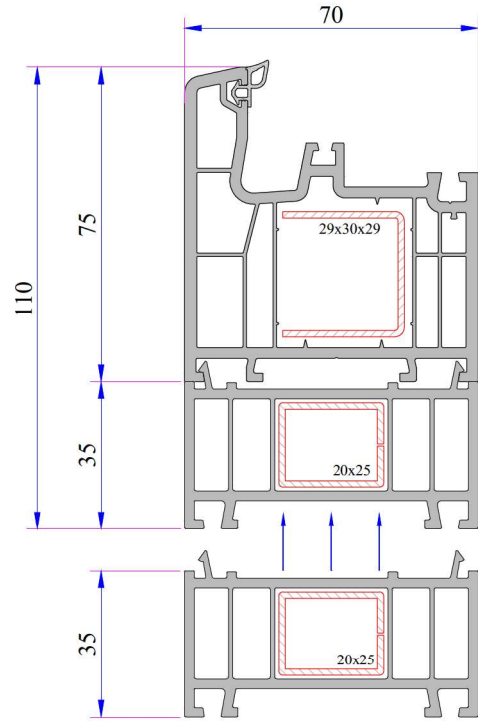


Corner And Pipe Profile  
Installation

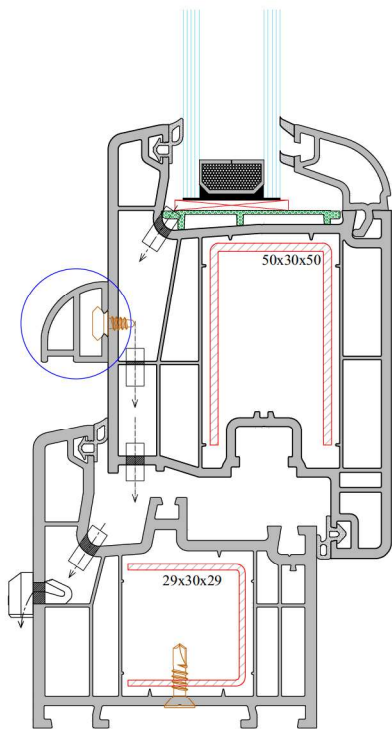
**W 777 SERIES  
PVC PROFILE SYSTEM**



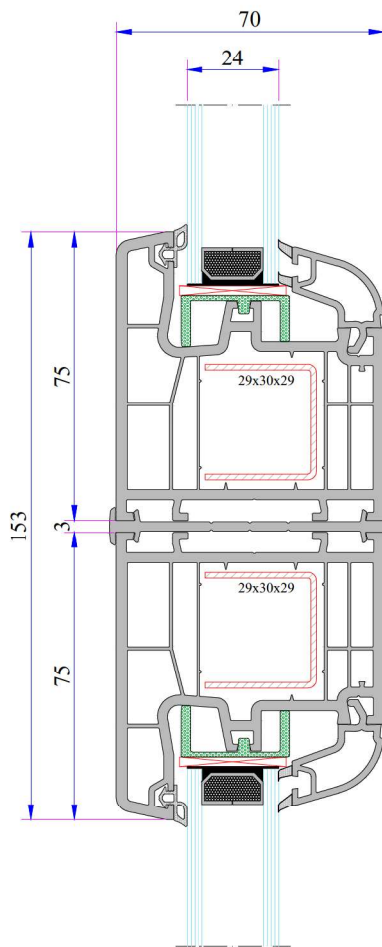
Large Coupling Profile Installation



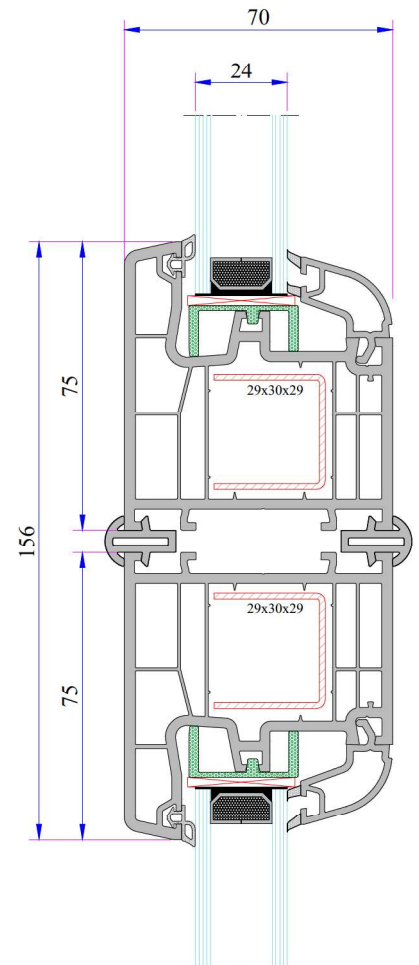
35 mm Frame Lifting Profile



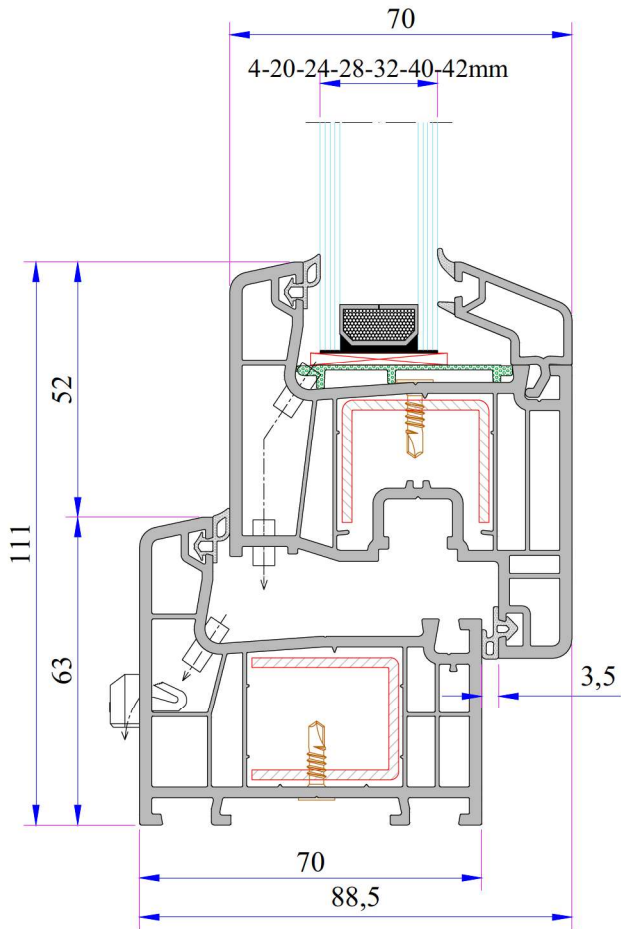
Offset Profile Installation



Narrow Coupling Profile Installation



Short Coupling Profile Installation



## TECHNICAL

### W 750 - 752 SERIES

**Profile Width:** 70 mm

**Number of chambers:** 5

**Profile Class:** W 752 A Class (TS EN 12608-1) / RAL 716-GZ

W 750 B Class (TS EN 12608-1)

**Seal Type:** External / Internal double seal system

**Seal Type and Color:** TPE - Grey /Black

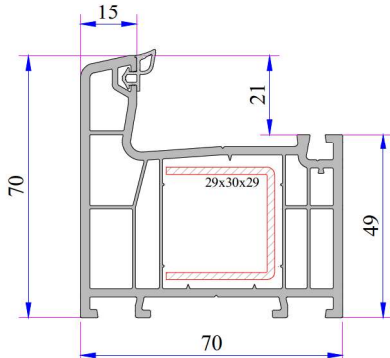
**Glass Thickness (mm):** 4, 20, 24, 28, 32, 40, 42 mm

**The thermal insulation Uf:** 1,30 W/m<sup>2</sup>K

## INSTRUCTION

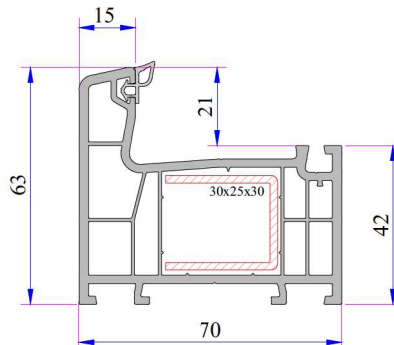
- The main profiles have 70 mm width.
- Because of the elastic grey and black seal which does not leave any stain on profiles will be provided maximum air, water, dust and sound isolation.
- Due to the 5 chambers profiles, it has maximum performance for thermal, sound and water isolation.
- It is a series of profiles with very special design that provides maximum wind resistance on high rise buildings.
- Excluding normal sash profile, there is also chance to have a choice for offset type sash profile.
- In addition to white profile a different laminated color range is available.
- 4-5 mm single glazing application of 20, 24, 28, 32, 40, 42 mm glazing beads give us alternatives of using double, triple glazing and panels.
- It provides the visual integrity in the inner surface and the frame-wall connections due to integrated frame with sill profile.

# W 750 - W 752 SERIES PVC PROFILE SYSTEM



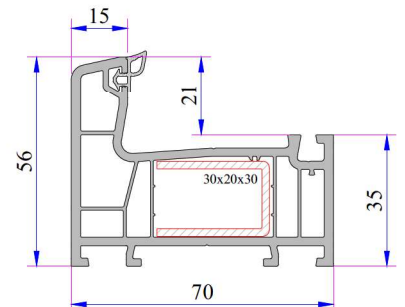
**Super Frame Profile**

Code: P.A.750.1001.600.0.BC.03



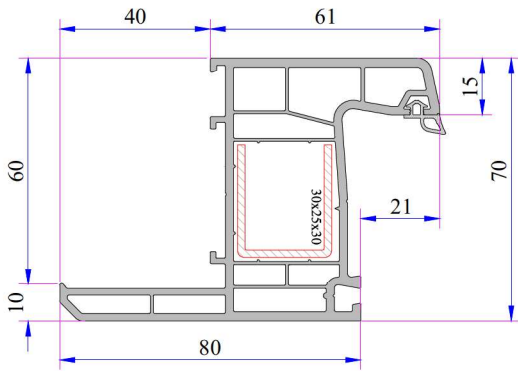
**Frame Profile**

Code: P.A.750.1000.600.0.BC.03



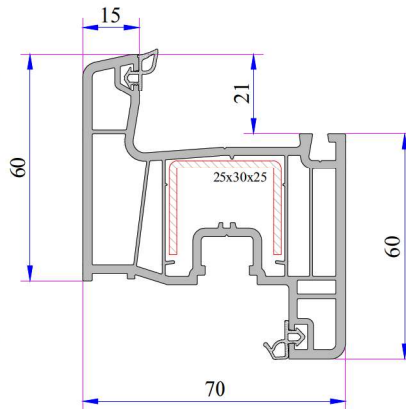
**Eco Frame Profile**

Code: P.A.750.1003.600.0.BC.03



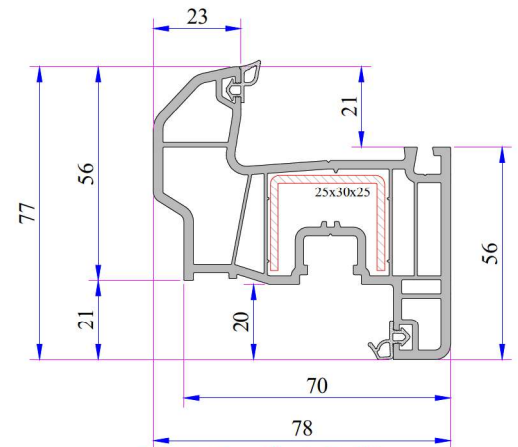
**Frame Profile With Sill**

Code: P.A.750.1200.600.0.BC.03



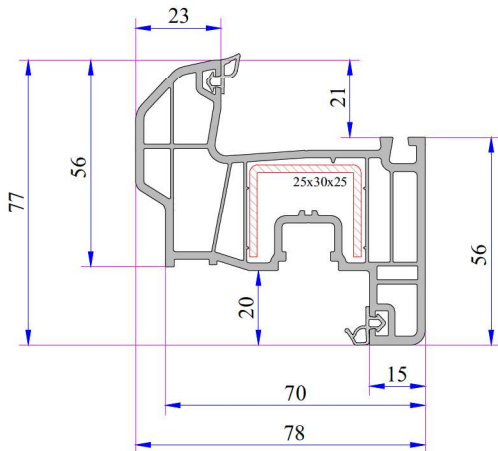
**Sash Profile**

Code: P.A.750.2000.600.0.BC.03



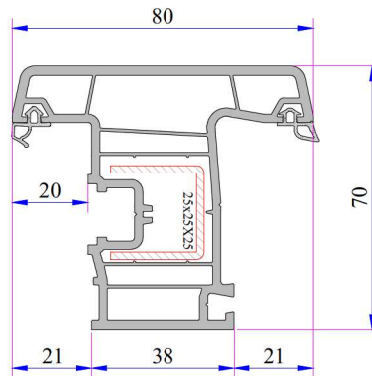
**Offset Type Sash Profile**

Code: P.A.750.2200.600.0.BC.03



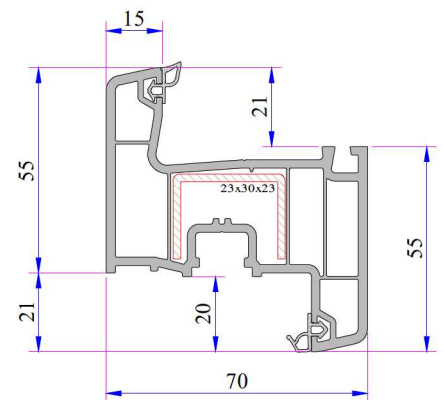
**Offset Type Sash Profile  
(6 Chambers)**

Code: P.A.750.2205.600.0.BC.03



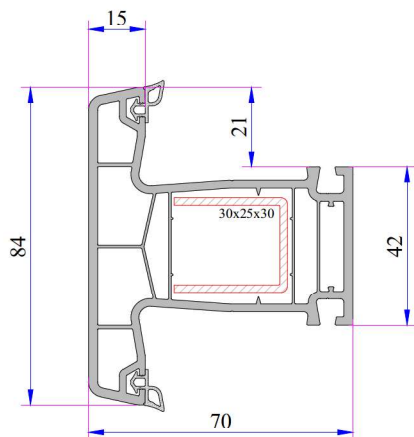
**Outward Opening Sash Profile**

Code: P.A.750.2001.600.0.BC.03



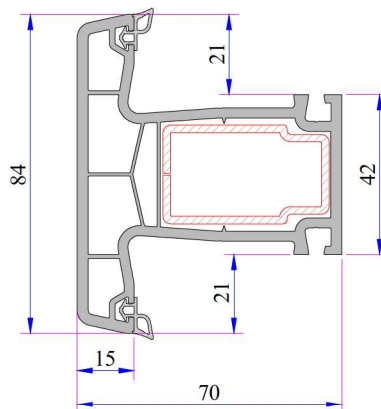
**24 Axis Sash Profile**

Code: P.A.750.2003.600.0.BC.03



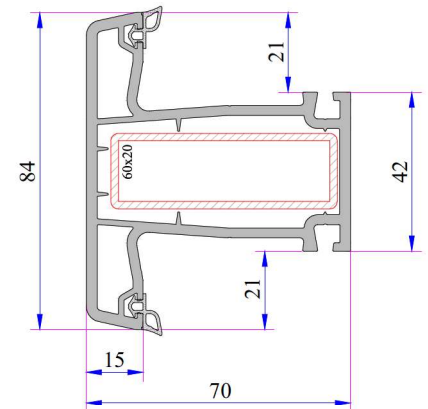
**Mullion Profile**

Code: P.A.750.3000.600.0.BC



**Static Mullion Profile**

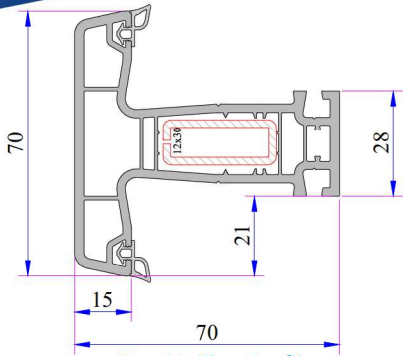
Code: P.A.750.3007.600.0.BC.03



**Super Static Mullion Profile**

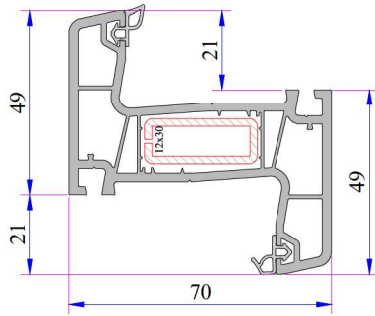
Code: P.A.750.3009.600.0.BC.03

# W 750 - W 752 SERIES PVC PROFILE SYSTEM



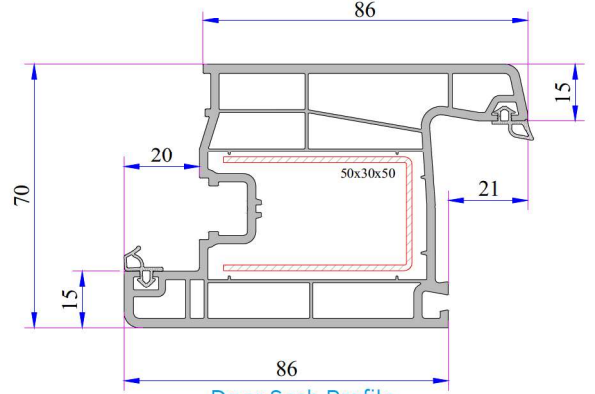
**Eco Mullion Profile**

Code: P.A.750.3006.600.0.BC.03



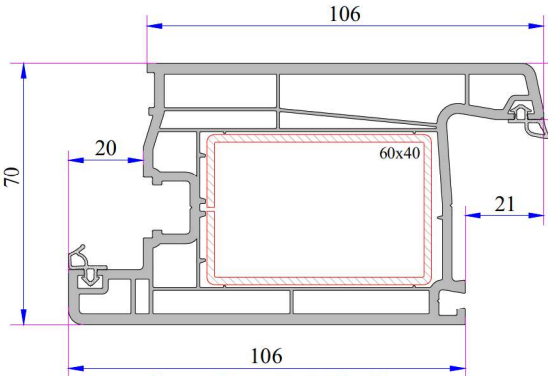
**Outward Opening Mullion Profile**

Code: P.A.750.3005.600.0.BC.03



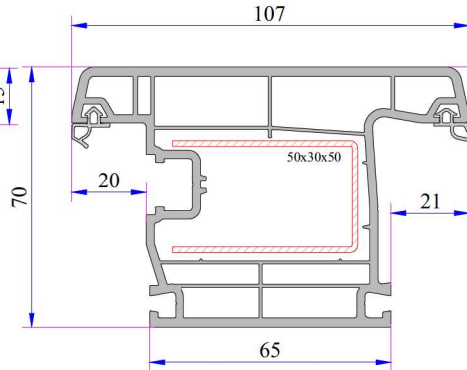
**Door Sash Profile**

Code: P.A.750.2100.600.0.BC.03



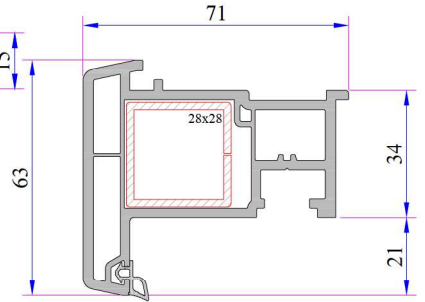
**Super Door Sash Profile**

Code: P.A.750.2103.600.0.BC.03



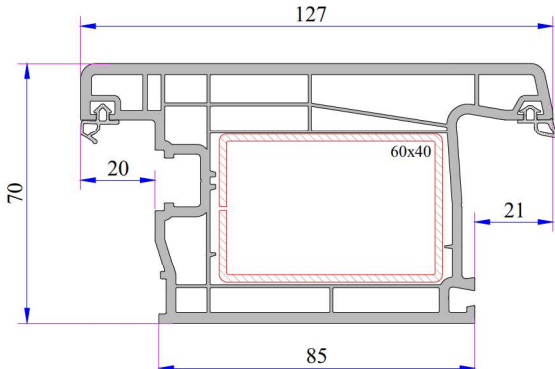
**Outward Opening Door Sash Profile**

Code: P.A.750.2101.600.0.BC.03



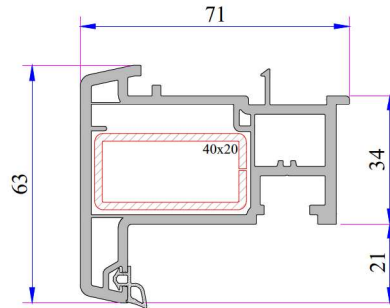
**Lap Joint Profile**

Code:  
P.A.750.3100.600.0.BC.19



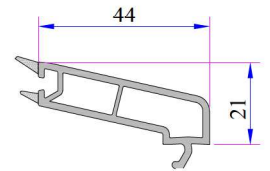
**Outward Opening Super Door Sash Profile**

Code: P.A.752.2104.600.0.BC.03



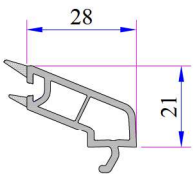
**Static Lap Joint Profile (Spiked)**

Code: P.A.750.3101.600.0.BC.19



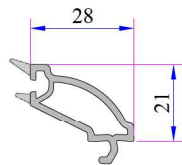
**Single Glazing Bead 4-6 mm**

Code:  
P.A.750.4000.600.0.HC



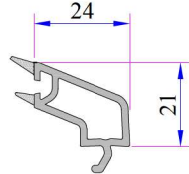
**Double Glazing Bead 20 mm**

Code:  
P.A.750.4100.600.0.HC



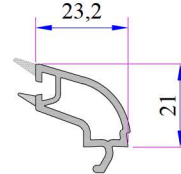
**Decorative Double Glazing Bead 20 mm**

Code:  
P.A.750.4102.600.0.HC



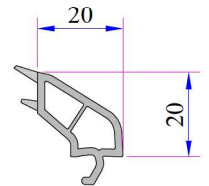
**Double Glazing Bead 24 mm**

Code:  
P.A.750.4200.600.0.HC



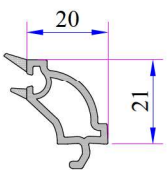
**Decorative Double Glazing Bead 24 mm**

Code:  
P.A.750.4204.600.0.HC



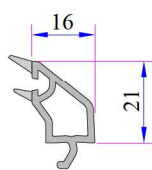
**Double Glazing Bead 28 mm**

Code:  
P.A.101.4100.600.0.HC



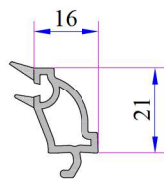
**Decorative Double Glazing Bead 28 mm**

Code:  
P.A.101.4102.600.0.HC



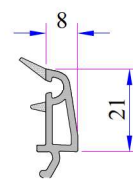
**Triple Glazing Bead 32 mm**

Code:  
P.A.750.4500.600.0.HC



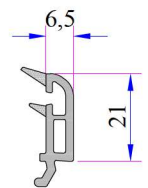
**Decorative Triple Glazing Bead 32 mm**

Code:  
P.A.101.4202.600.0.HC



**Triple Glazing Bead 40 mm**

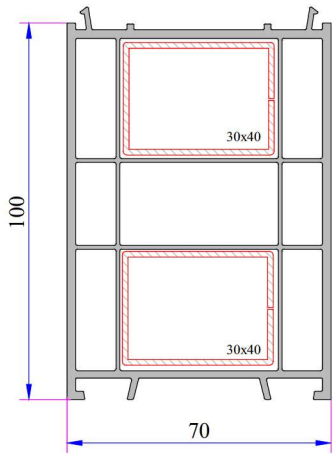
Code:  
P.A.532.4400.600.0.HC



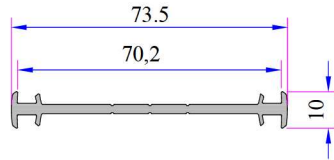
**Triple Glazing Bead 42 mm**

Code:  
P.A.532.4500.600.0.HC

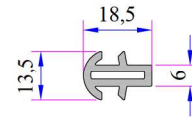
# W 750 - W 752 SERIES PVC PROFILE SYSTEM



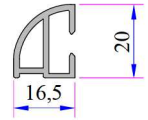
**100mm Frame Lifting Profile**  
Code: P.A.070.5302.600.0.00.19



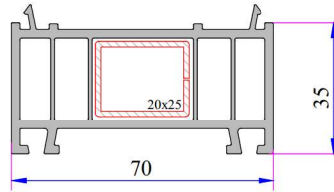
**Narrow Coupling Profile**  
Code: P.A.070.5001.600



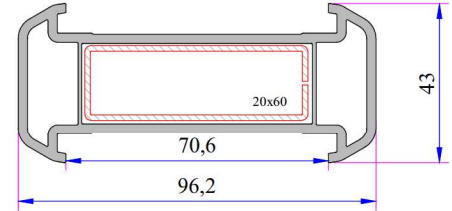
**Short Coupling Profile**  
Code: PA.099.5003.600



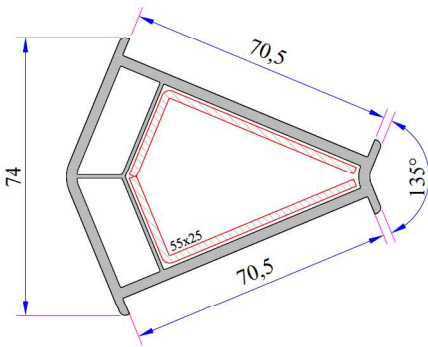
**Offset Profile**  
Code: P.A.900.6307.600



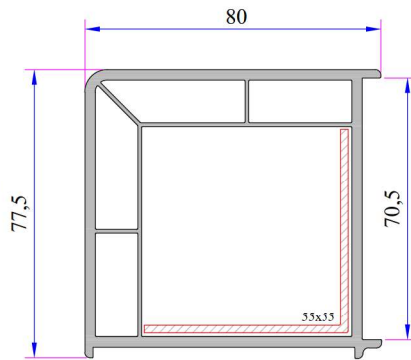
**35mm Frame Lifting Profile**  
Code: P.A.070.5300.600.0.00.19



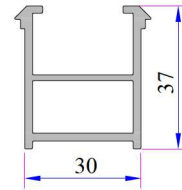
**Large Coupling Profile**  
Code: P.A.070.5000.600.0.00.19



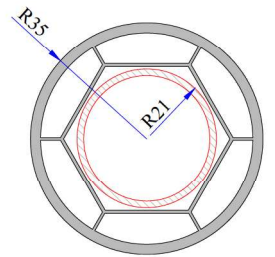
**135° Corner Profile**  
Code: P.A.070.5102.600.0.00.19



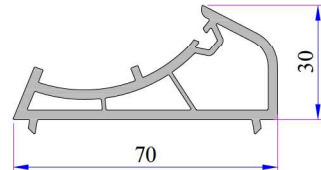
**90° Corner Profile**  
Code: P.A.070.5100.600.0.00.19



**Frame Montage Profile**  
Code: P.A.070.5301.600.0.00.19

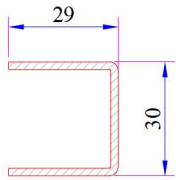


**Pipe Profile**  
Code: P.A.070.5106.600

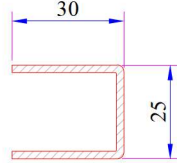


**Corner Lag Profile**  
Code: P.A.070.5104.600.0.00.19

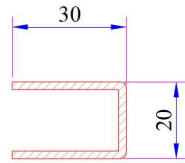
## W 750 - 752 Re-Inforcement Profiles



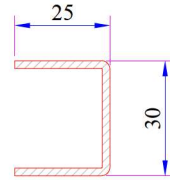
**Super Frame Profile Reinforcement**  
Code: 34022-12002



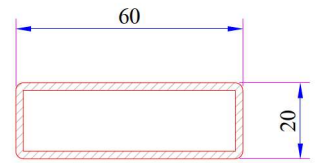
**Frame - Frame with Sill - Mullion Profile Reinforcement**  
Code: 34022-12004



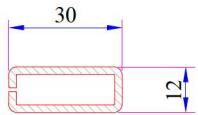
**Eco Frame Profile Reinforcement**  
Code: 34022-12006



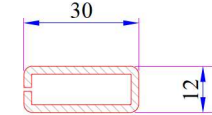
**Sash - Offset Type Sash Profile Reinforcement**  
Code: 34022-12025



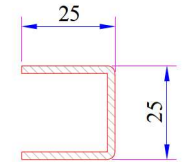
**Static Mullion Profile Reinforcement**  
Code: 34022-12106



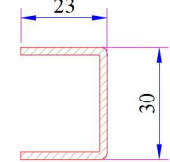
**Eco Mullion Profile Reinforcement**  
Code: 34022-12115



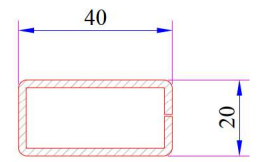
**Outward Opening Mullion Profile Reinforcement**  
Code: 34022-12115



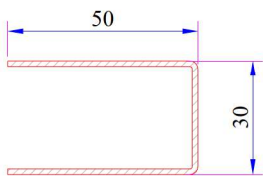
**24 Axis. Sash Profile Reinforcement**  
Code: 34022-12003



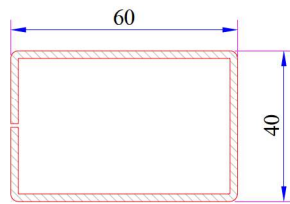
**Outward Opening Sash Profile Reinforcement**  
Code: 34022-12030



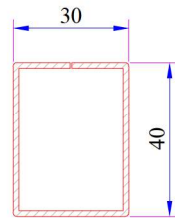
**Static Lap Joint Profile Reinforcement**  
Code: 34022-12114



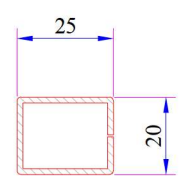
**Door Sash - Outward Opening Door Sash Profile Reinforcement**  
Code: 34022-12013



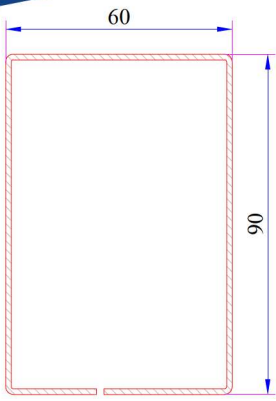
**Super Door Sash - Outward Opening Super Door Sash Profile Reinforcement**  
Code: 34022-12110



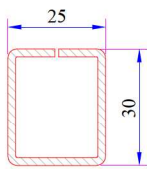
**100mm Frame Lifting Profile Reinforcement**  
Code: 34022-12120



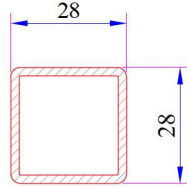
**35mm Frame Lifting Profile Reinforcement**  
Code: 34022-12104



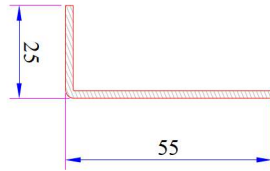
**70x100mm Box Profile Reinforcement**  
Code: 34022-12121



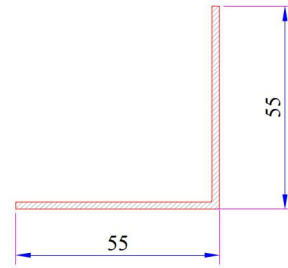
**Mullion Profile Static Reinforcement**  
Code: 34022-12119



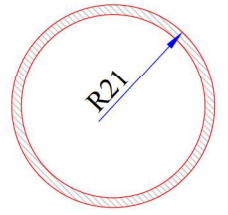
**Lap Joint Profile Reinforcement**  
Code: 34022-12113



**135° Corner Profile Reinforcement**  
Code: 34022-12303

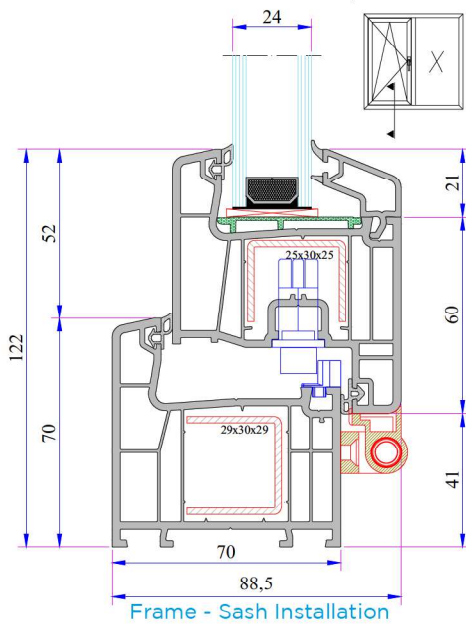


**90° Corner Profile Reinforcement**  
Code: 34022-12305

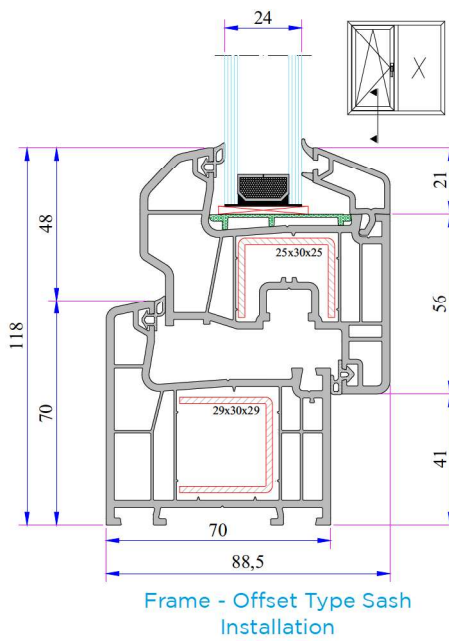


**Pipe Profile Reinforcement**  
Code: 34022-12502

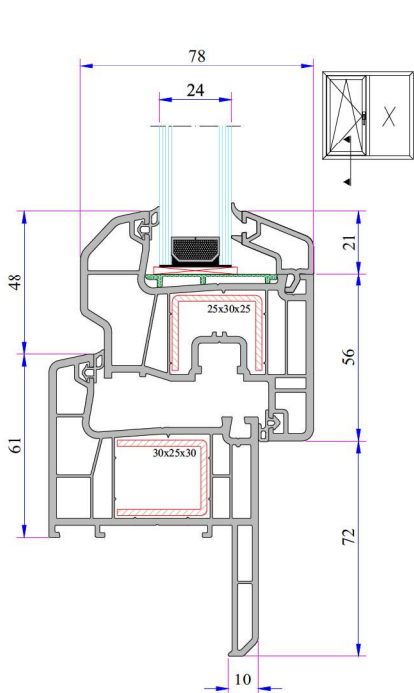
**W 750 - 752 Installation**



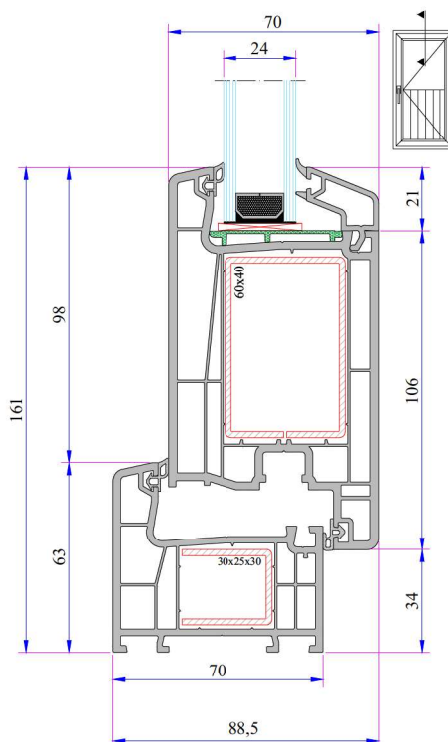
**Frame - Sash Installation**



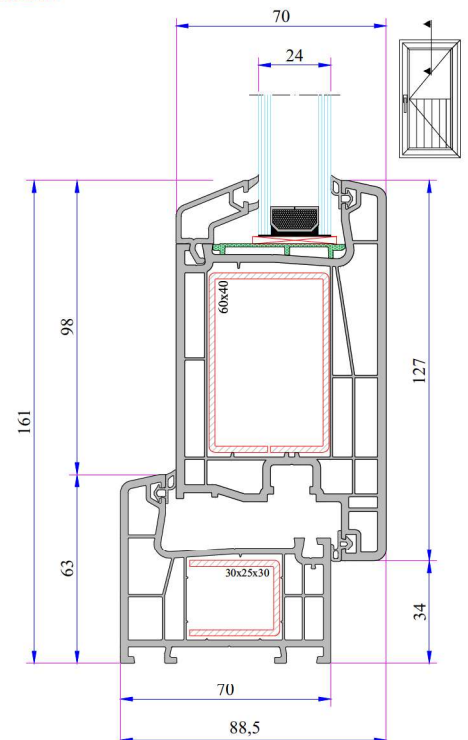
**Frame - Offset Type Sash Installation**



**Frame With Sill - Sash Installation**



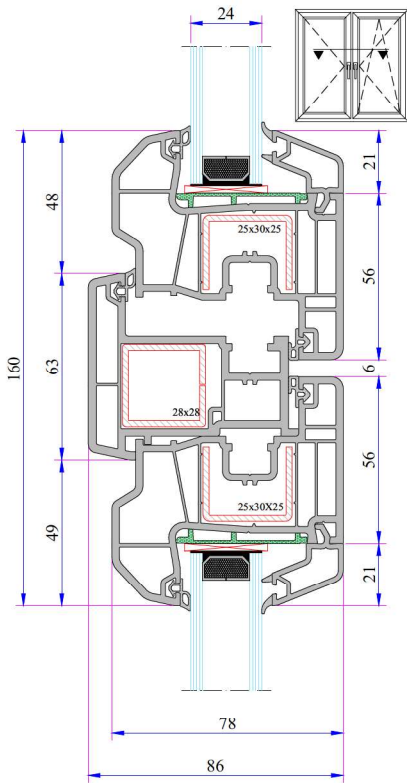
**Frame - Super Door Sash Installation**



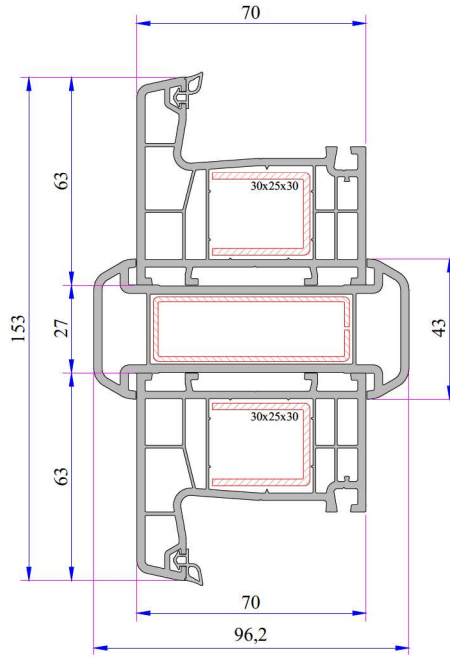
**Frame - Super Outward Opening Door Sash Installation**



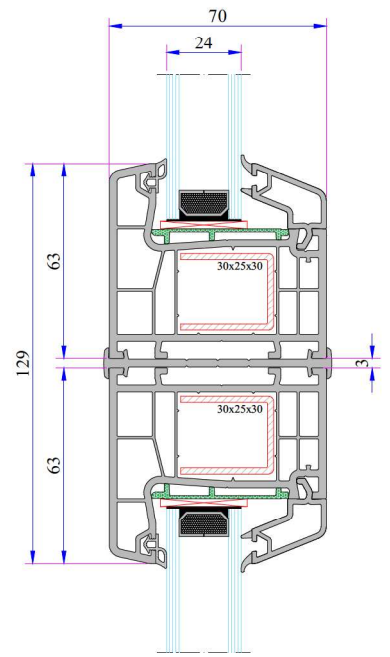
# W 750 - W 752 SERIES PVC PROFILE SYSTEM



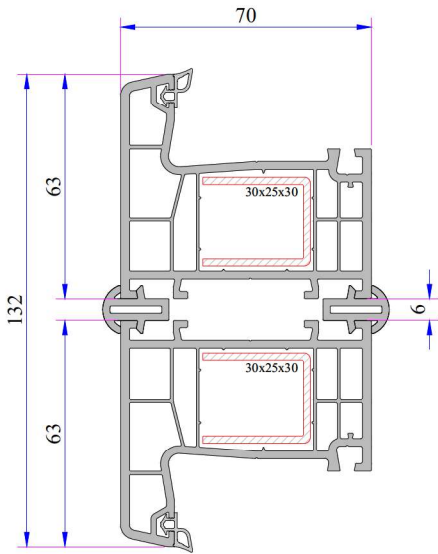
Sash - Lap Joint - Sash Profile Installation



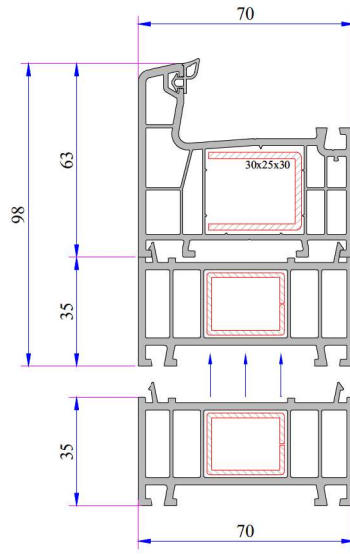
Large Coupling Profile Installation



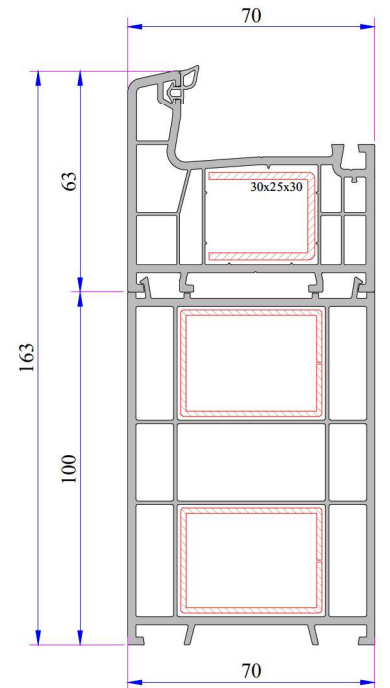
Narrow Coupling Profile Installation



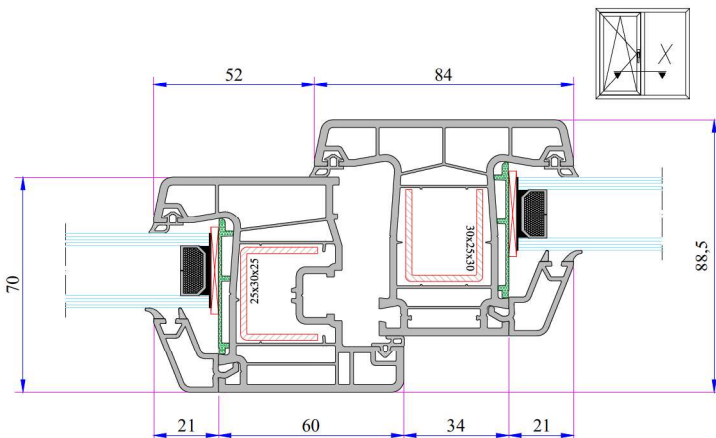
Short Coupling Profile Installation



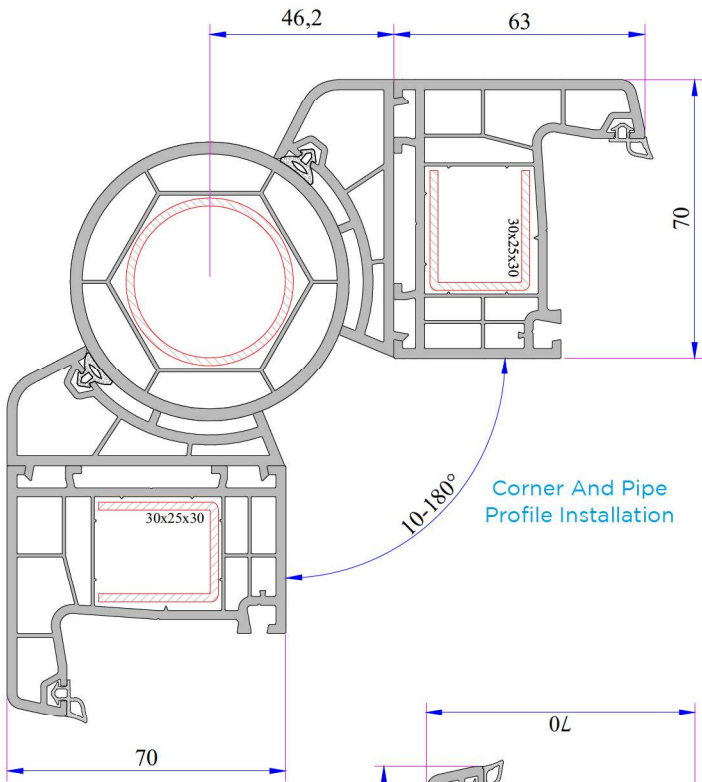
35mm Frame Lifting Profile Installation



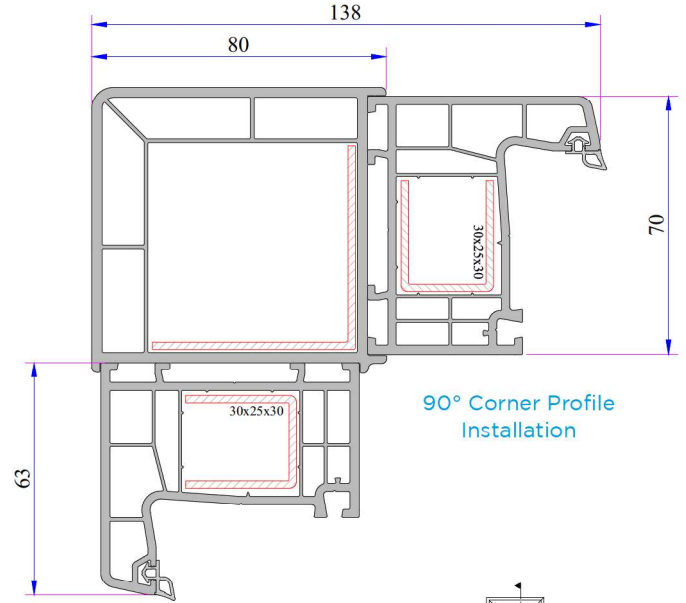
100mm Frame Lifting Profile Installation



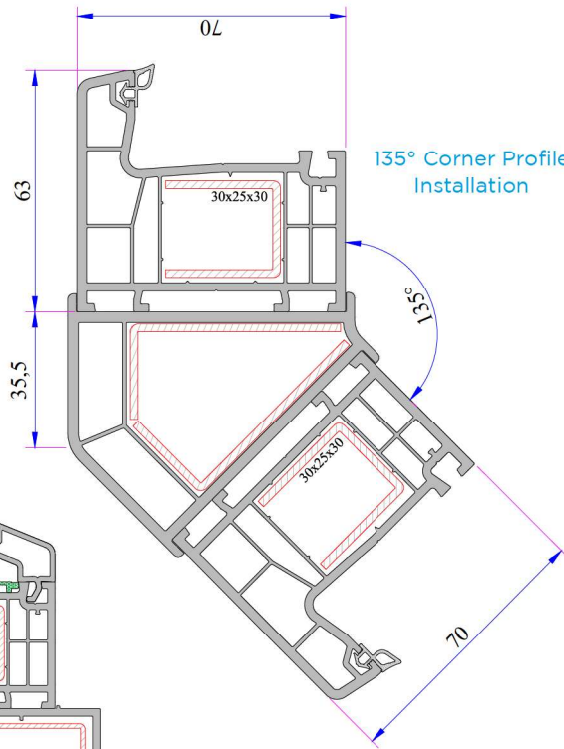
Mullion - Sash Installation



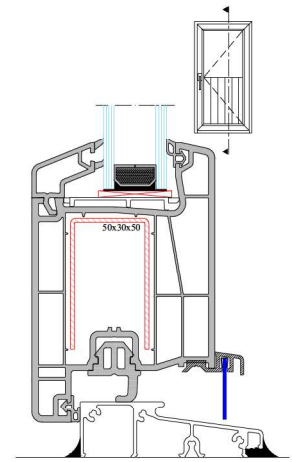
Corner And Pipe Profile Installation



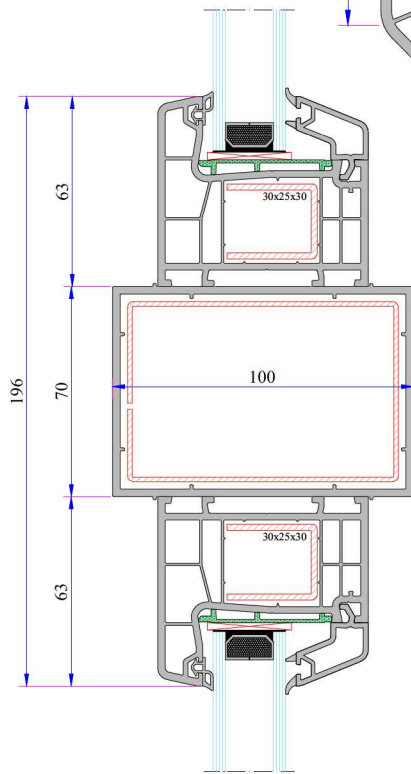
90° Corner Profile Installation



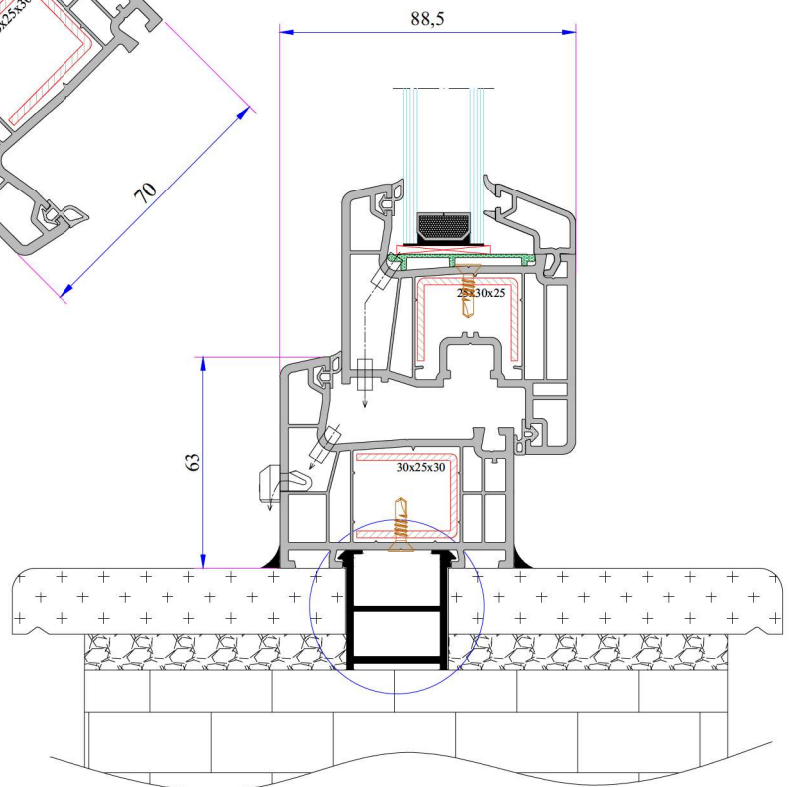
135° Corner Profile Installation



With Aluminium Threshold Frame Door Sash Installation

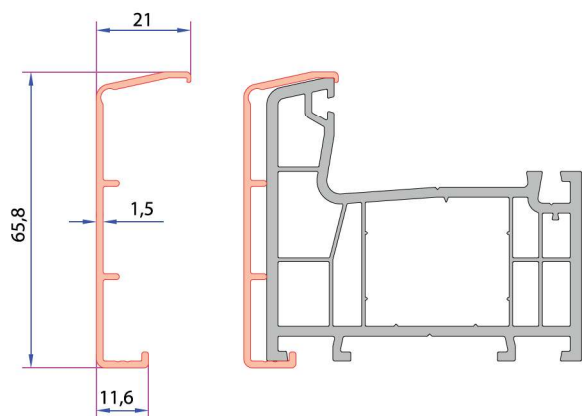


70x100mm Box Profile Installation



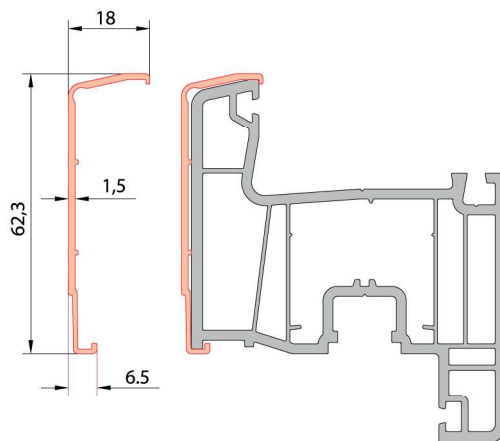
Frame Montage Profile Installation

# W 750 - W 752 SERIES PVC PROFILE SYSTEM



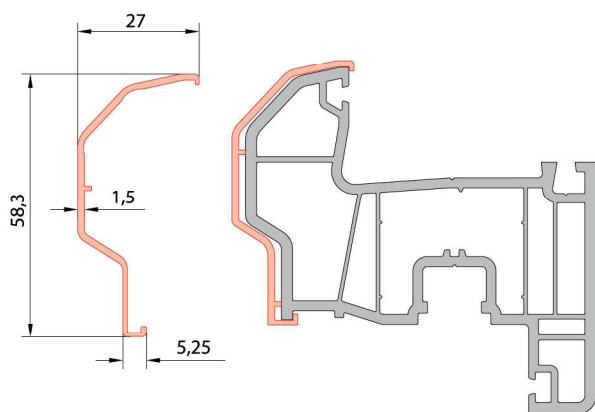
Aluminium Cladding Profile With Frame

Code:  
34025 - 28010 (Alm. Color)  
34025 - 29015 (Bronze)



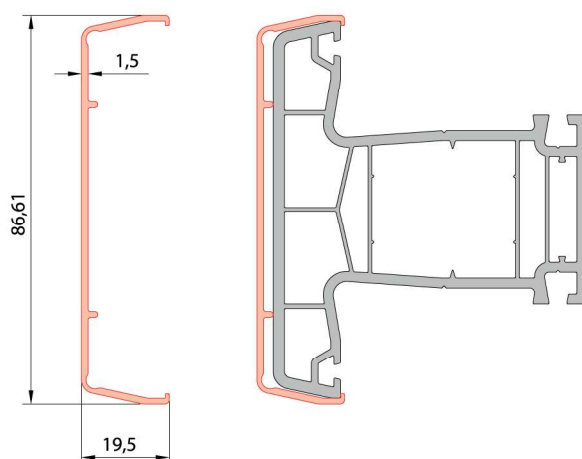
Aluminium Cladding Profile With Sash

Code:  
34025 - 28030 (Alm. Color)  
34025 - 29035 (Bronze)



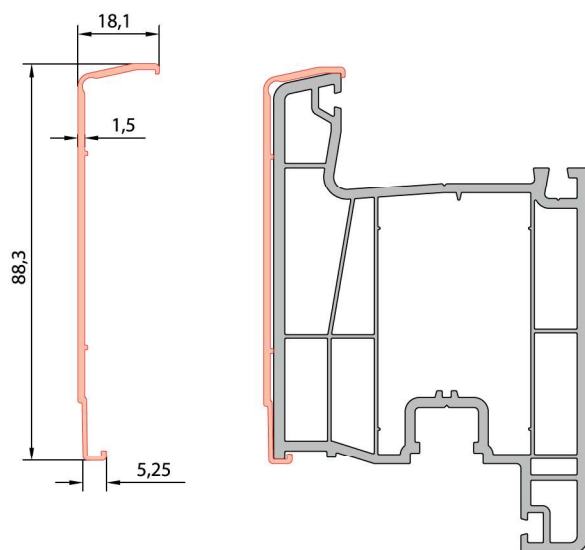
Aluminium Cladding Profile With Offset Sash

Code:  
34025 - 28040 (Alm. Color)  
34025 - 29045 (Bronze)



Aluminium Cladding Profile With Mullion

Code:  
34025 - 28050 (Alm. Color)  
34025 - 29055 (Bronze)



Aluminium Cladding Profile With Door Sash

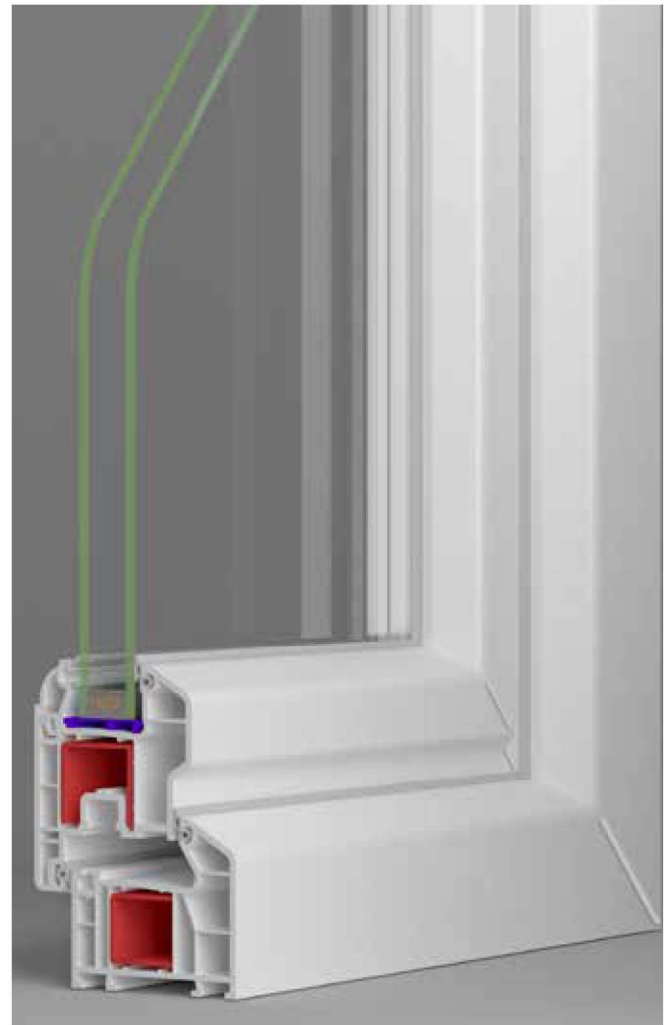
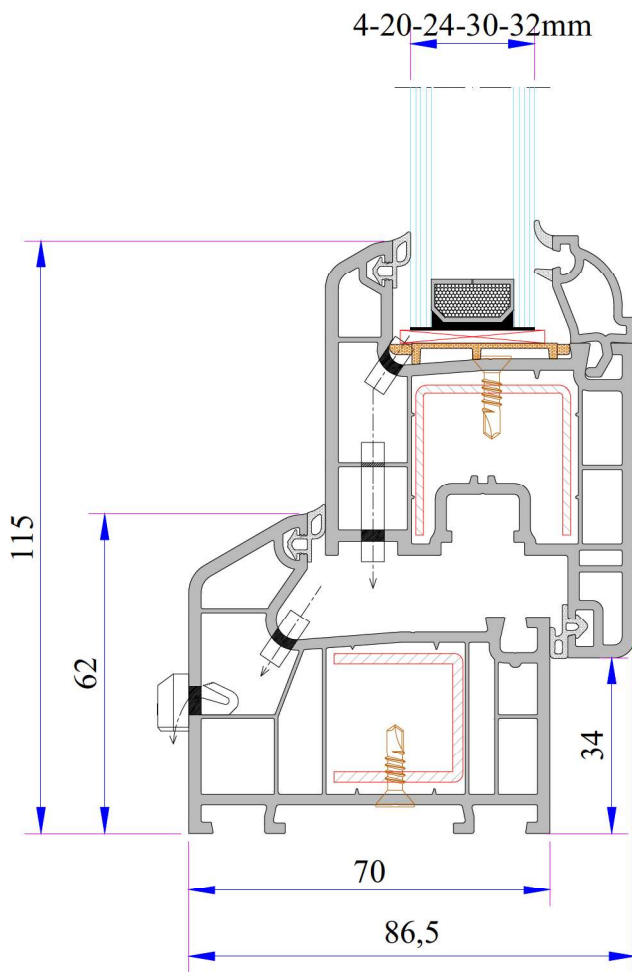
Code:  
34025 - 28060 (Alm. Color)  
34025 - 29065 (Bronze)



Aluminium Color



Bronze Color



## TECHNICAL

### W 760 SERIES

**Profile Width:** 70 mm

**Number of chambers:** 5

**Profile Class:** B Class (TS EN 12608-1)

**Seal Type:** External / Internal double seal system

**Seal Type and Color:** TPE - Grey /Black

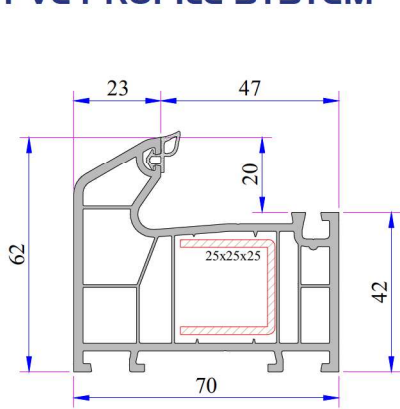
**Glass Thickness (mm):** 4, 20, 24, 30, 32 mm

**The thermal insulation Uf:** 1,45 W/m<sup>2</sup>K

## INSTRUCTION

- The main profiles have 70 mm width.
- Because of the elastic grey and black seal which does not leave any stain on profiles will be provided maximum air, water, dust and sound isolation.
- Due to the 5 chambers profiles, it has maximum performance for thermal, sound and water isolation.
- It is a series of profiles with very special design that provides maximum wind resistance on high rise buildings.
- In addition to white profile a different laminated color range is available.
- 4-5 mm single glazing application of 20, 24, 28, 30, 32 mm glazing beads give us alternatives of using double, triple glazing and panels.

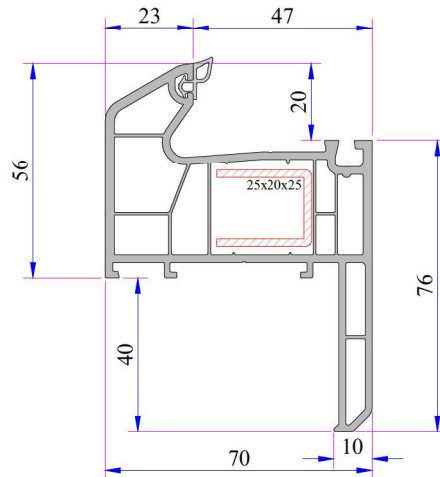
# W 760 SERIES PVC PROFILE SYSTEM



**Frame Profile**

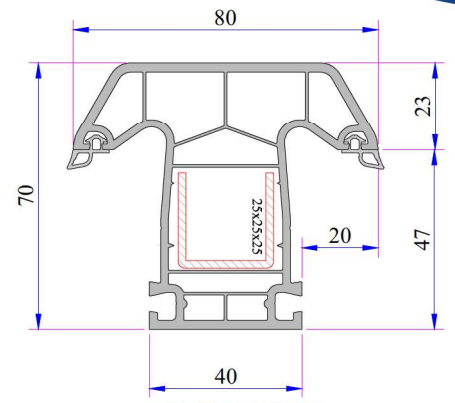
Code:

P.A.706.1000.600.0.BC.03



**Frame Profile With Sill**

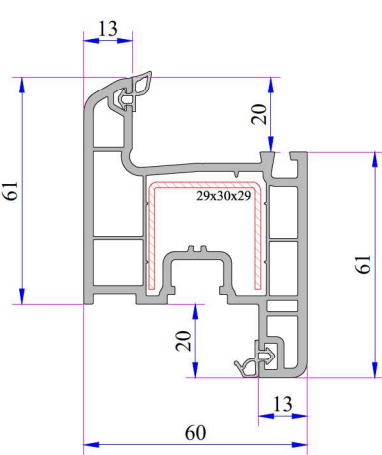
Code: P.A.706.1200.600.0.BC.03



**Mullion Profile**

Code:

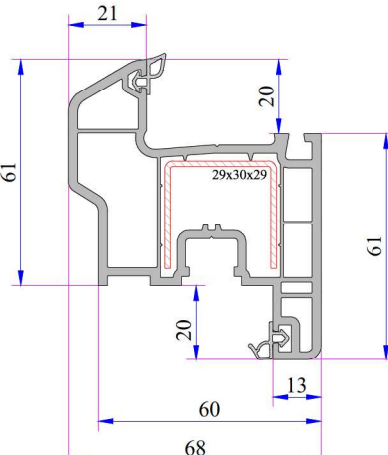
P.A.706.3000.600.0.BC.03



**Sash Profile**

Code:

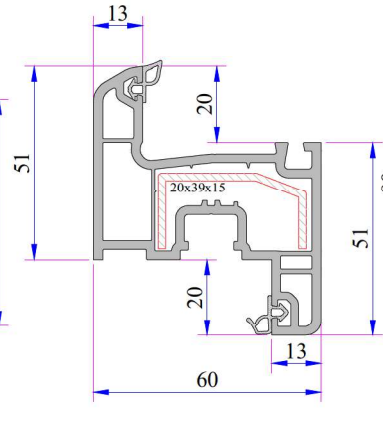
P.A.632.2000.600.0.BC.03



**Offset Type Sash Profile**

Code:

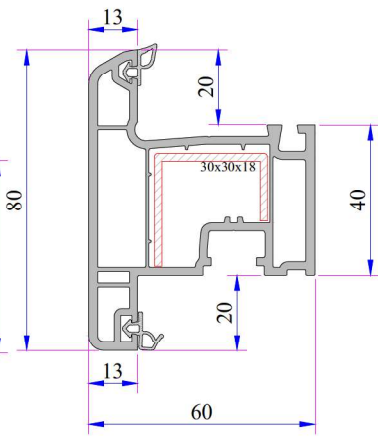
P.A.632.2200.600.0.BC.03



**Narrow Sash Profile**

Code:

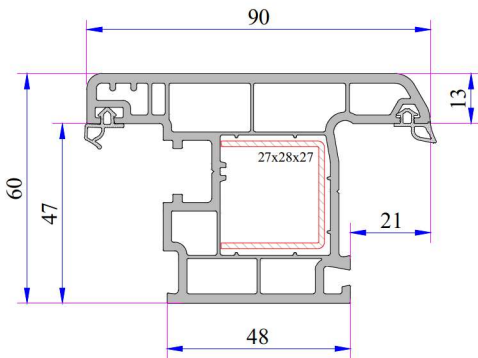
P.A.900.2005.600.0.BC.03



**Outward Opening Sash Profile**

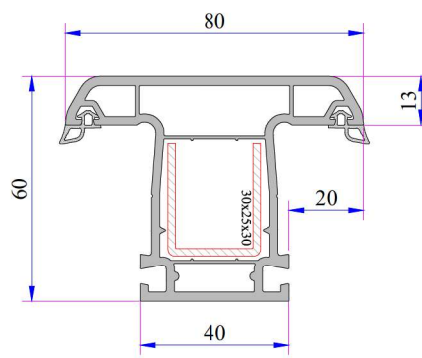
Code:

P.A.632.2014.600.0.BC.03



**Outward Opening Sash Profile (9 Axis)**

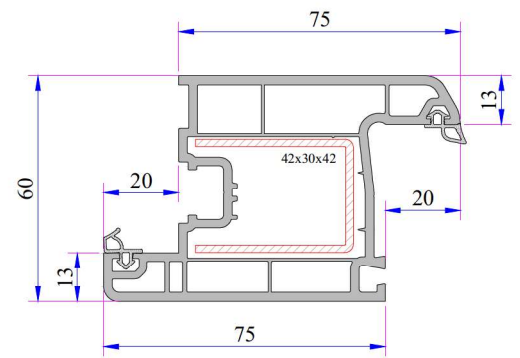
Code: P.A.430.2001.600.0.BC.03



**Mullion For Door Profile**

Code:

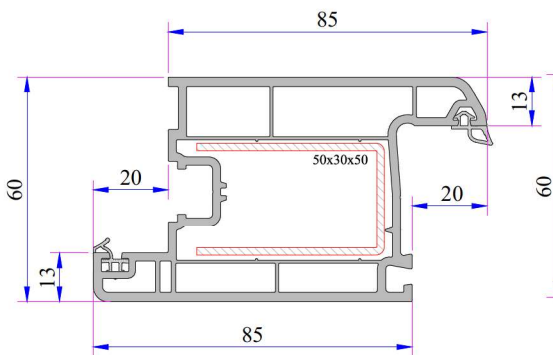
P.A.632.3000.600.0.BC.03



**Eco Door Sash Profile**

Code:

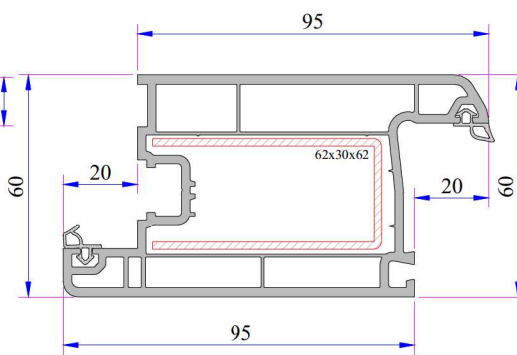
P.A.632.2107.600.0.BC.03



**Door Sash Profile**

Code:

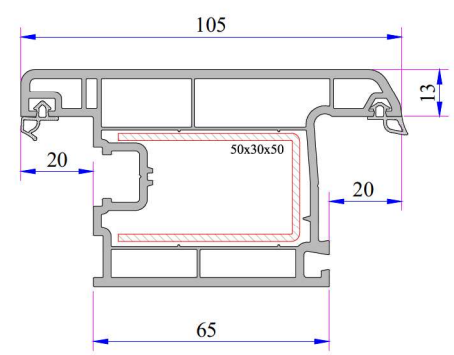
P.A.632.2100.600.0.BC.03



**Super Door Sash Profile**

Code:

P.A.632.2103.600.0.BC.03

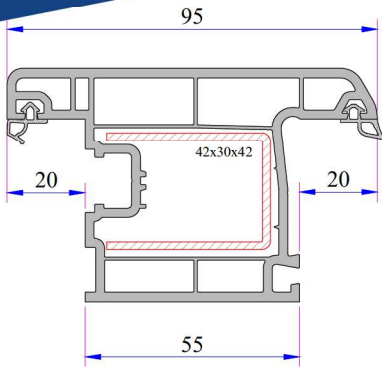


**Outward Opening Door Sash Profile**

Code:

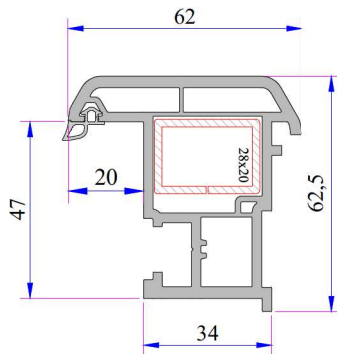
P.A.632.2101.600.0.BC.03

# W 760 SERIES PVC PROFILE SYSTEM



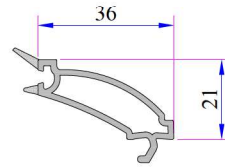
**Outward Opening Eco Door Sash Profile**

Code: P.A.632.2104.600.0.BC.03



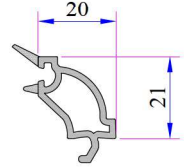
**Lap Joint Profile**

Code: P.A.632.3100.600.0.BC.19



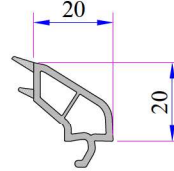
**Single Glazing Bead 4-6mm**

Code: P.A.101.4002.600.0.HC



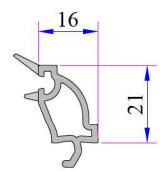
**Double Glazing Bead 20mm**

Code: P.A.101.4102.600.0.HC



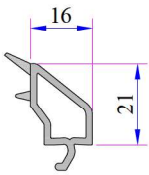
**Single Glazing Bead 20mm**

Code: P.A.101.4100.600.0.HC



**Double Glazing Bead 24mm**

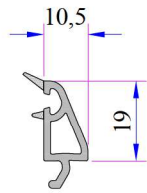
Code: P.A.101.4202.600.0.HC



**Double Glazing Bead 24mm**

Code:

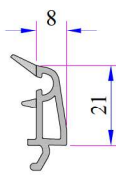
P.A.101.4200.600.0.HC (White)



**Triple Glazing Bead 30mm**

Code:

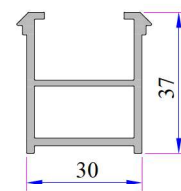
P.A.332.4100.600.0.HC (White)



**Triple Glazing Bead 32mm**

Code:

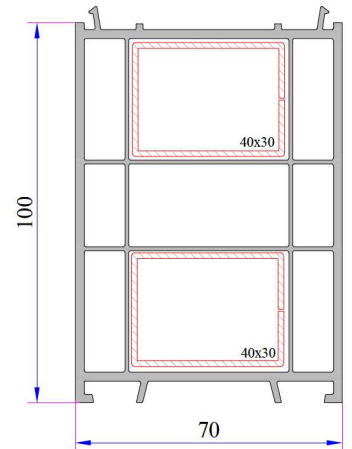
P.A.101.4500.600.0.HC (White)



**Frame Montage Profile**

Code:

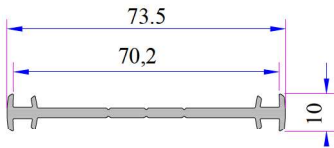
P.A.060.5301.600.0.00.19



**100mm Frame Lifting Profile**

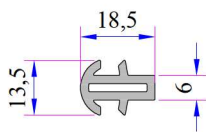
Code:

P.A.070.5302.600.0.00.19



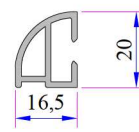
**Narrow Coupling Profile**

Code: P.A.070.5001.600



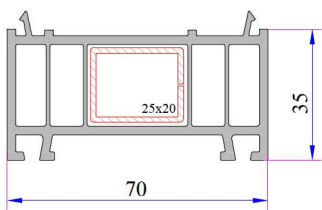
**Short Coupling Profile**

Code: P.A.099.5003.600



**Offset Coupling Profile**

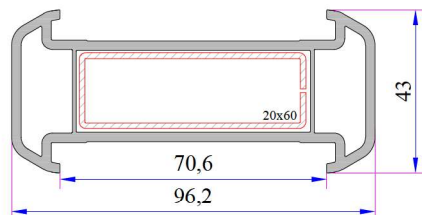
Code: P.A.900.6307.600



**35mm Frame Lifting Profile**

Code:

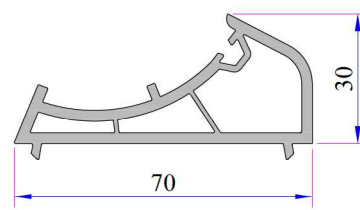
P.A.070.5300.600.0.00.19



**Large Coupling Profile**

Code:

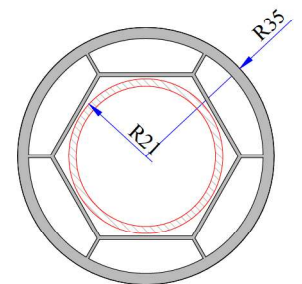
P.A.070.5000.600.0.00.19



**Corner Lag Profile**

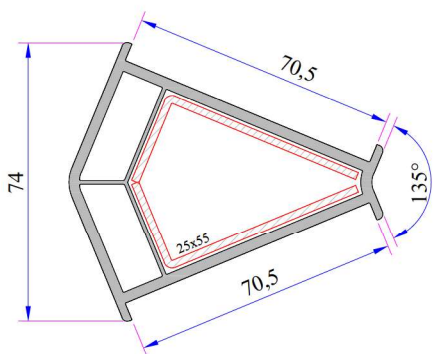
Code:

P.A.070.5104.600.0.00.19



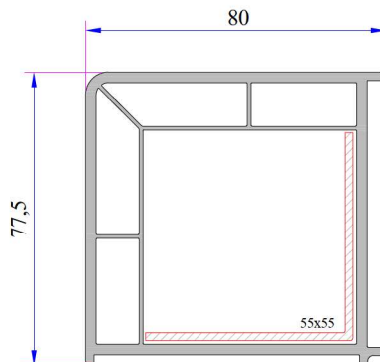
**Pipe Profile**

Code: P.A.070.5106.600



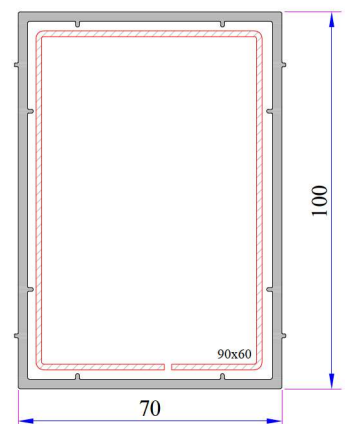
**135° Corner Profile**

Code: P.A.070.5102.600.0.00.19



**90° Corner Profile**

Code: P.A.070.5100.600.0.00.19

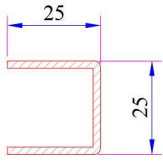


**70x100mm Box Profile**

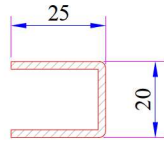
Code: P.A.070.5202.600.0.00.19

# W 760 SERIES PVC PROFILE SYSTEM

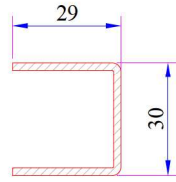
## W 760 Re-Inforcement Profiles



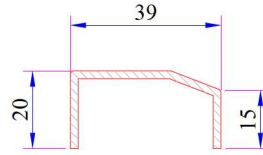
Frame - Mullion Profile Reinforcement  
Code: 34022-12003



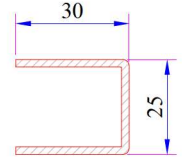
Frame with Sill Profile Reinforcement  
Code: 34022-12021



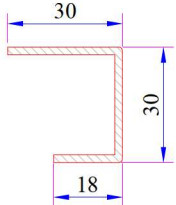
Sash - Offset Type Sash Profile Reinforcement  
Code: 34022-12002



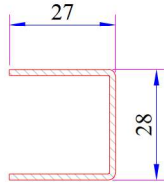
Narrow Sash Profile Reinforcement  
Code: 34022-12031



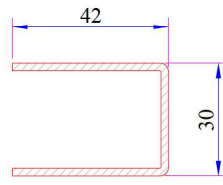
Mullion For Door Profile Reinforcement  
Code: 34022-12004



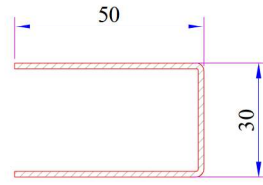
Outward Opening Sash Profile Reinforcement  
Code: 34022-12022



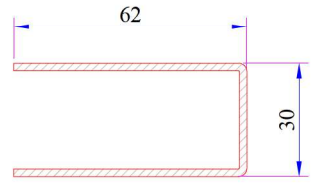
Outward Opening Sash Profile (9 Axis) Reinforcement  
Code: 34022-12020



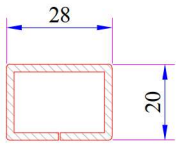
Eco Door Sash - Outward Opening Eco Door Sash Profile Reinforcement  
Code: 34022-12023



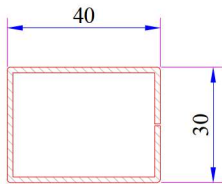
Door Sash - Outward Opening Door Sash Profile Reinforcement  
Code: 34022-12013



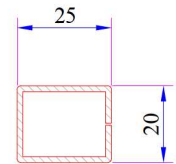
Super Door Sash Profile Reinforcement  
Code: 34022-12029



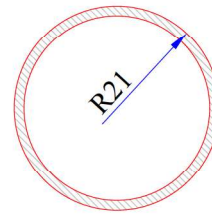
Lap Joint Profile Reinforcement  
Code: 34022-12118



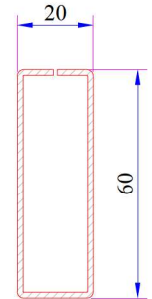
100mm Frame Lifting Profile Reinforcement  
Code: 34022-12120



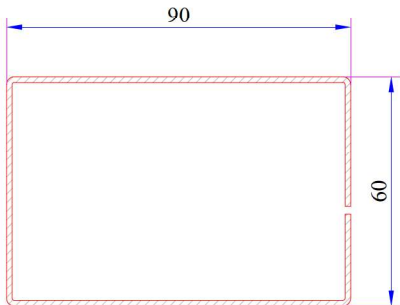
35mm Frame Lifting Profile Reinforcement  
Code: 34022-12104



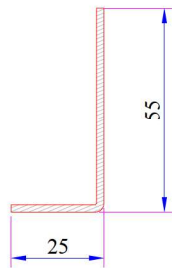
Pipe Profile Reinforcement  
Code: 34022-12502



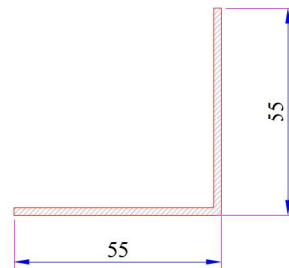
Large Coupling Profile Reinforcement  
Code: 34022-12106



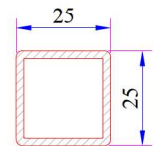
70x100 mm Box Profile Reinforcement  
Code: 34022-12121



135° Corner Profile Reinforcement  
Code: 34022-12303

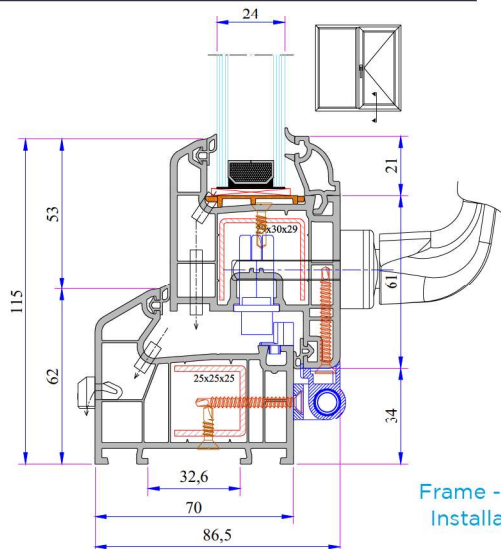


90° Corner Profile Reinforcement  
Code: 34022-12305

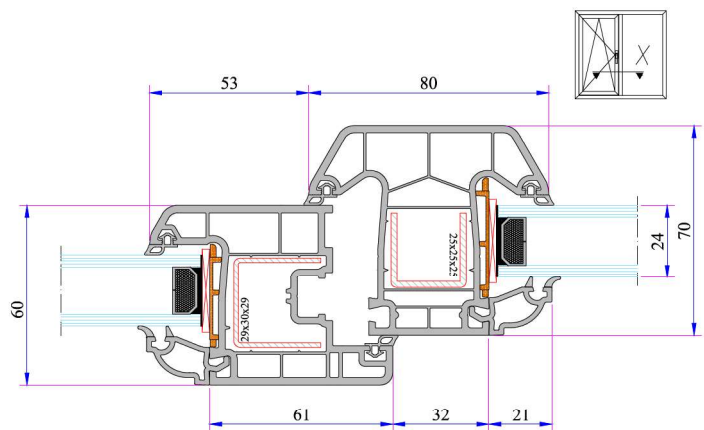


Mullion Profile Static Reinforcement  
Code: 34022-12122

## W 760 Installation

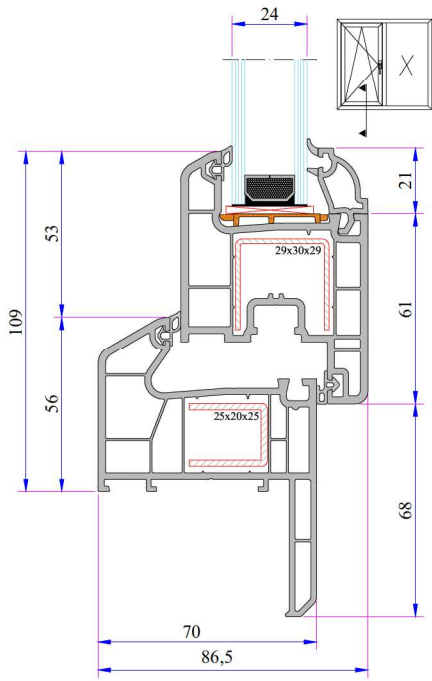


Frame - Sash Installation

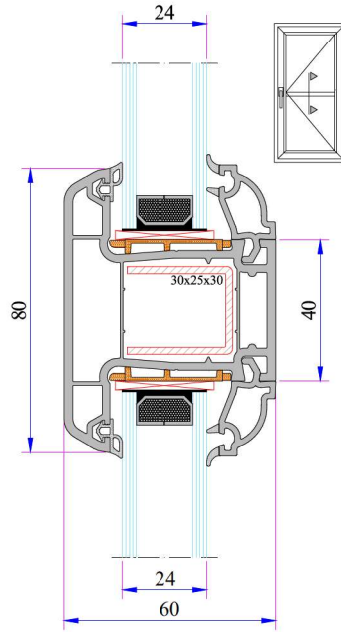


Mullion - Sash Installation

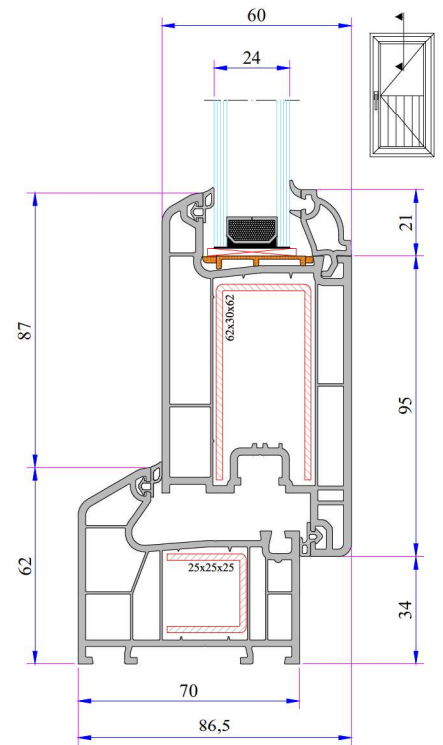
# W 760 SERIES PVC PROFILE SYSTEM



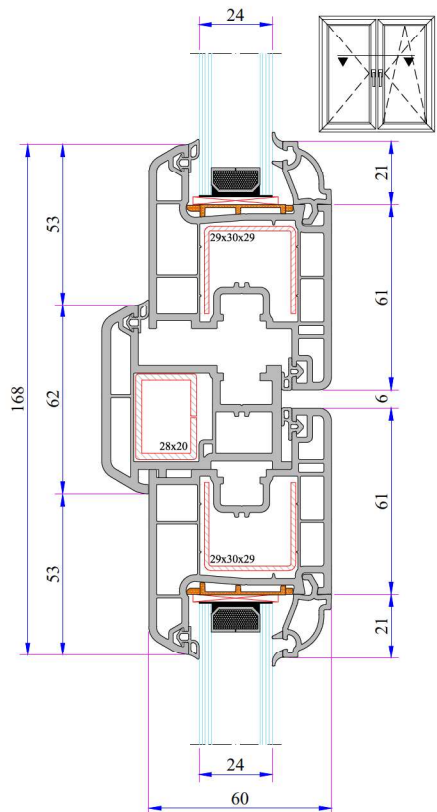
Frame with Sill - Sash Installation



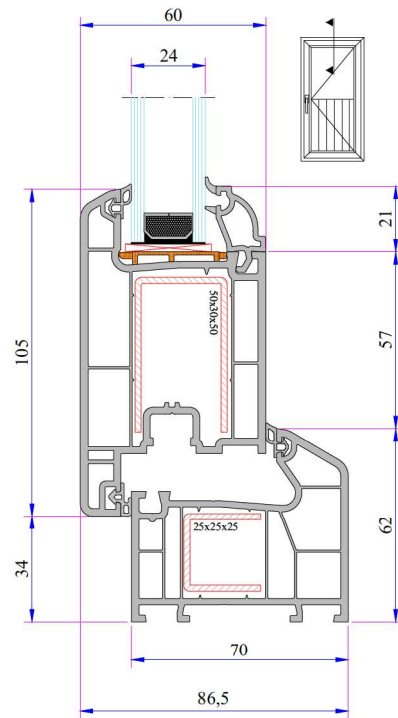
Mullion Profile Installation



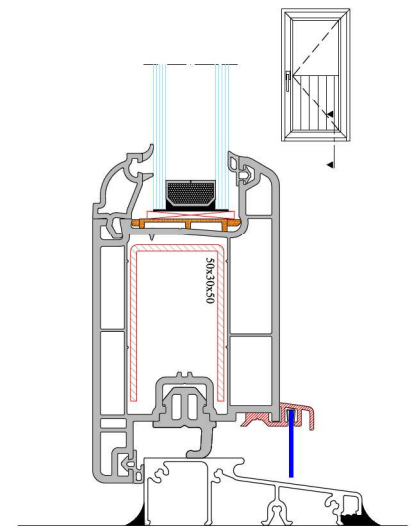
Frame - Super Door Sash Installation



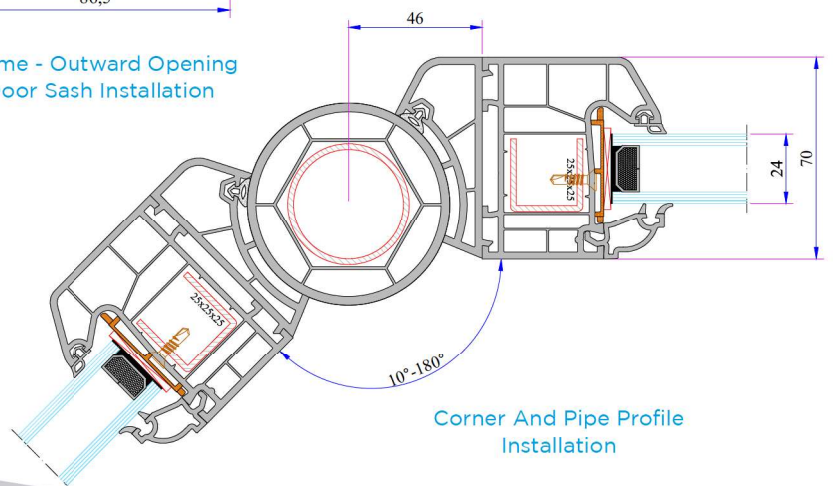
Sash - Lap Joint - Sash Installation



Frame - Outward Opening Door Sash Installation



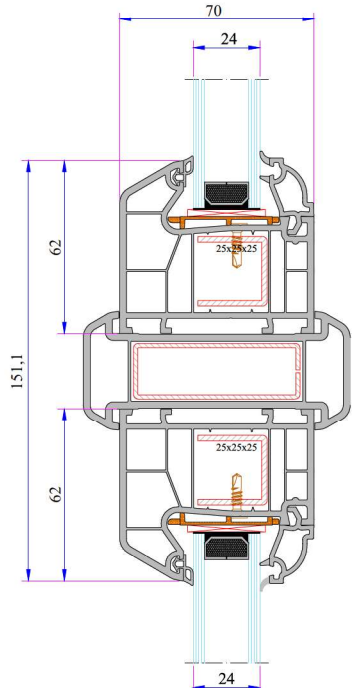
With Aluminium Threshold Frame Door Sash Installation



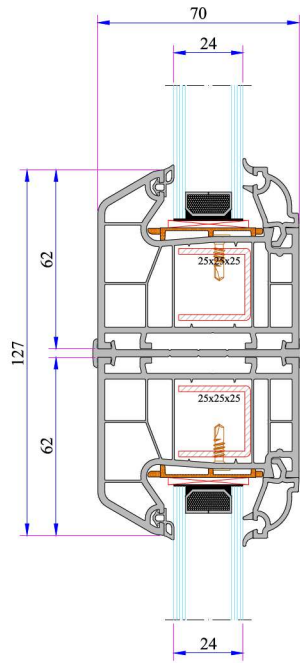
Corner And Pipe Profile Installation



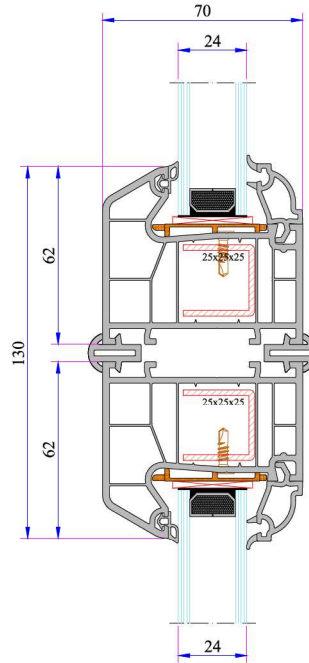
# W 760 SERIES PVC PROFILE SYSTEM



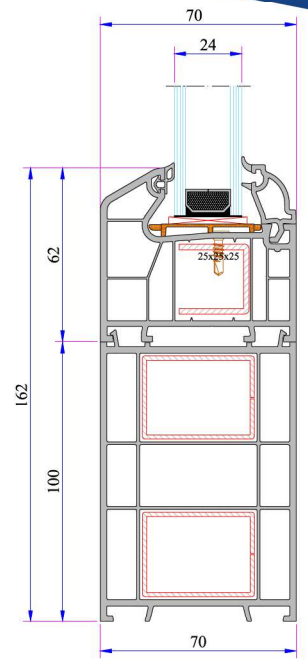
Large Coupling Profile Installation



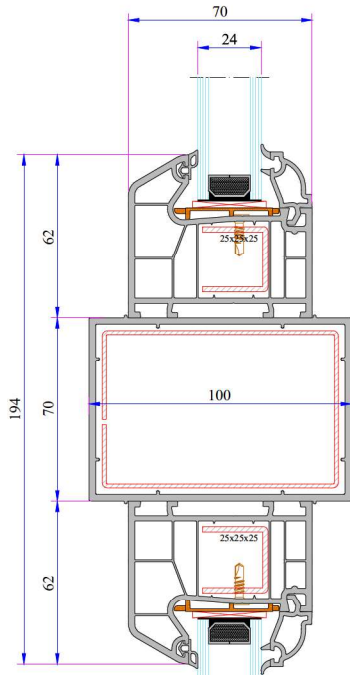
Narrow Coupling Profile Installation



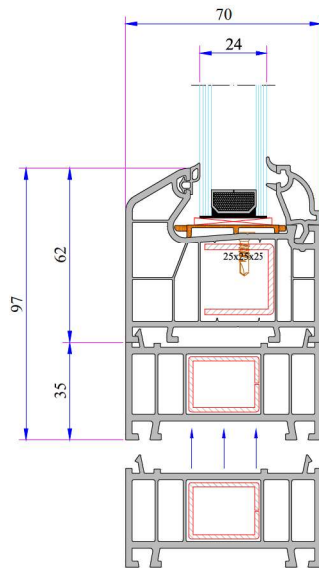
Short Coupling Profile Installation



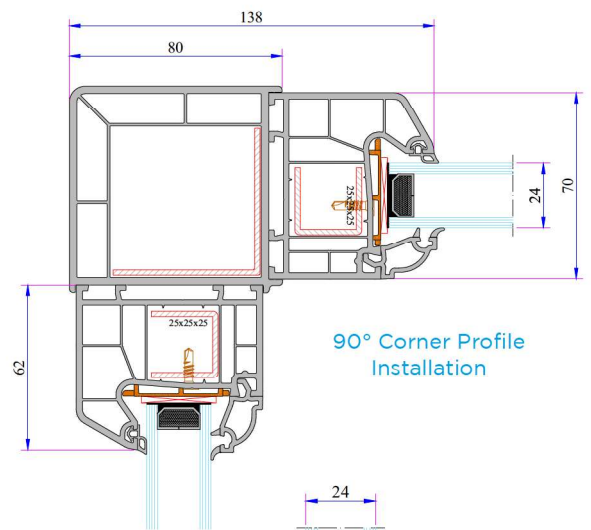
100mm Frame Lifting Profile Installation



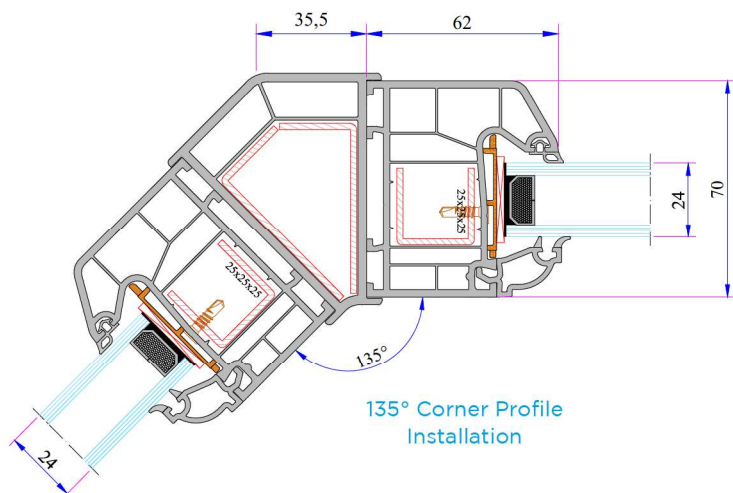
70x100 mm Box Profile Installation



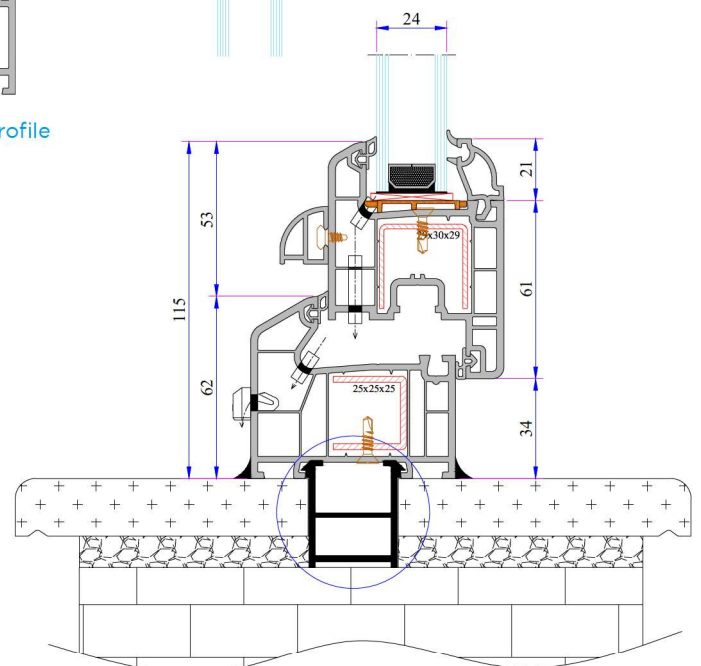
35mm Frame Lifting Profile Installation



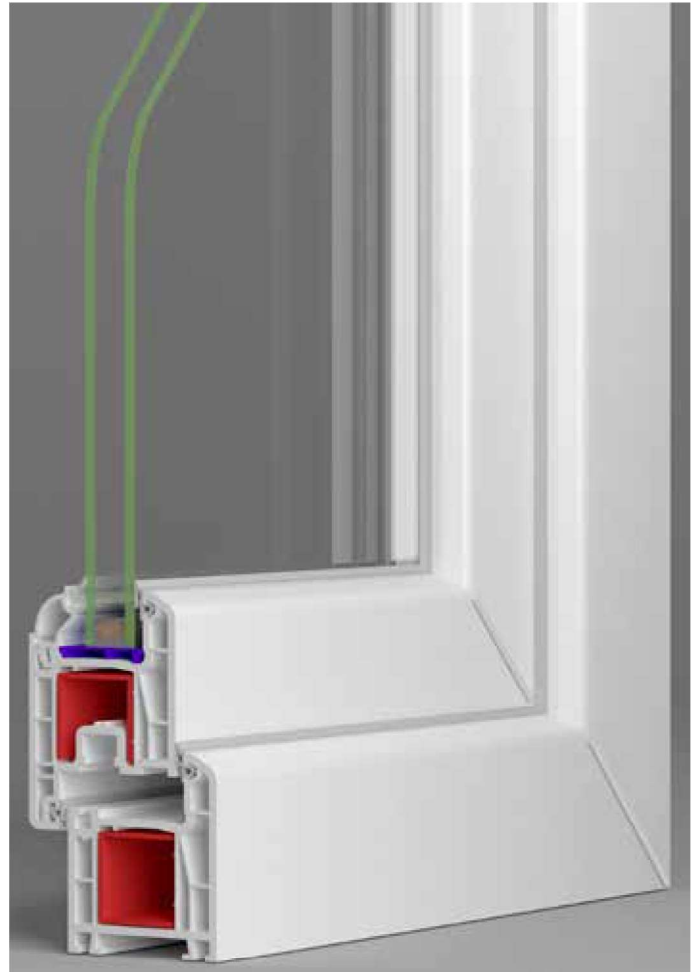
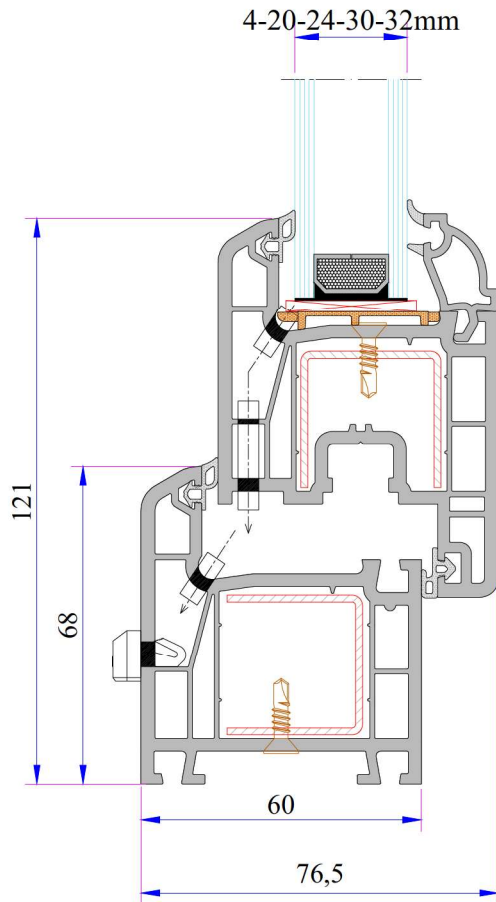
90° Corner Profile Installation



135° Corner Profile Installation



Offset Profile and Montage Profile Installation



## TECHNICAL

### W 642 SERIES

**Profile Width:** 60 mm

**Number of chambers:** 4

**Profile Class:** A Class (TS EN 12608-1)  
RAL 716 - GZ A Class

**Seal Type:** External / Internal double seal system

**Seal Type and Color:** TPE - Grey /Black

**Glass Thickness (mm):** 4, 20, 24, 30, 32 mm

**The thermal insulation Uf:** 1,50 W/m<sup>2</sup>K

### W 640 SERIES

**Profile Width:** 60 mm

**Number of chambers:** 4

**Profile Class:** B Class (TS EN 12608-1)

**Seal Type:** External / Internal double seal system

**Seal Type and Color:** TPE - Grey /Black

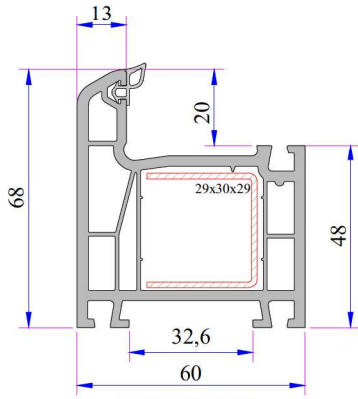
**Glass Thickness (mm):** 4, 20, 24, 30, 32 mm

**The thermal insulation Uf:** 1,45 W/m<sup>2</sup>K

## INSTRUCTION

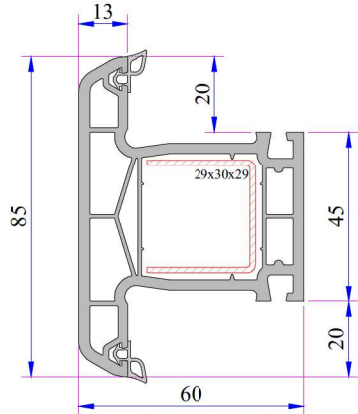
- The main profiles have 60 mm width.
- Because of the elastic grey and black seal which does not leave any stain on profiles will be provided maximum air, water, dust and sound isolation.
- Due to the 4 chambers profiles, it has maximum performance for thermal, sound and water isolation.
- It is a series of profiles with very special design that provides maximum wind resistance on high rise buildings.
- Excluding normal sash profile there is also chance to have a choice for offset type sash profile.
- In addition to white profile a different laminated color range is available.
- 4-5 mm single glazing application of 20, 24, 30, 32 mm glazing beads give us alternatives of using double, triple glazing and panels.

# W 642 - W 640 SERIES PVC PROFILE SYSTEM



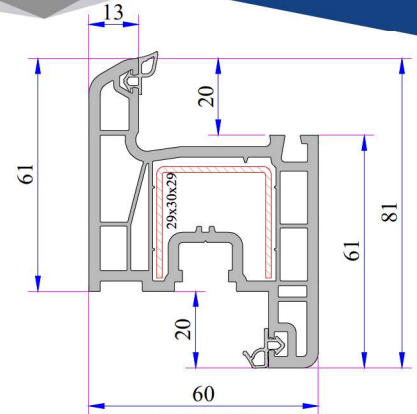
**Frame Profile**

Code: P.A.64X.1000.600.0.BC.03



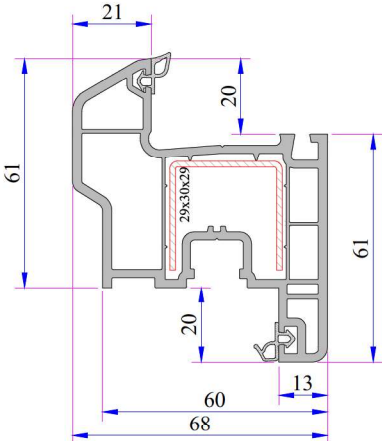
**Mullion Profile**

Code: P.A.64X.3000.600.0.BC.03



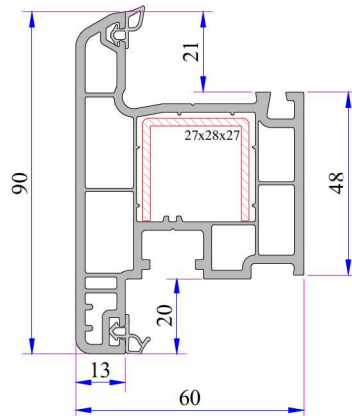
**Sash Profile**

Code: P.A.64X.2000.600.0.BC.03



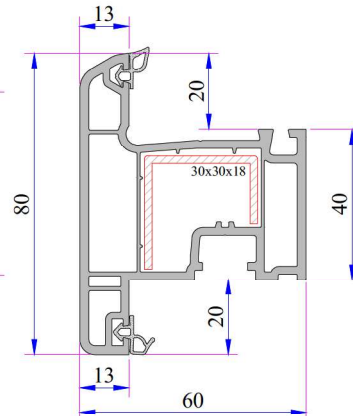
**Offset Type Sash Profile**

Code: P.A.632.2200.600.0.BC.03



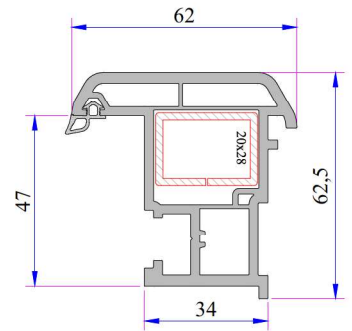
**9 Axis Outward Opening Mullion Profile**

Code: P.A.430.2001.600.0.BC.03



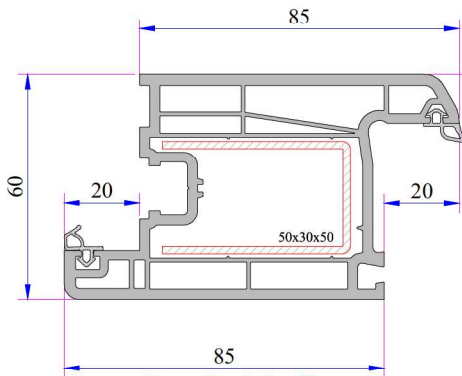
**22 Axis Outward Opening Sash Profile**

Code: P.A.632.2014.600.0.BC.03



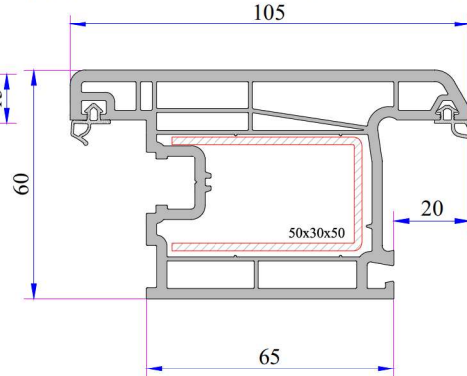
**Lap Joint Profile**

Code: P.A.632.3100.600.0.BC.10



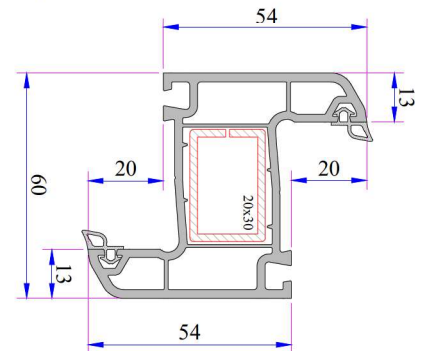
**Door Sash Profile**

Code: P.A.64X.2100.600.0.BC.03



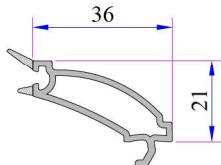
**Outward Opening Door Sash Profile**

Code: P.A.64X.2101.600.0.BC.03



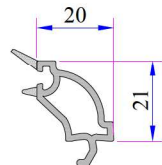
**Outward Opening Mullion Profile**

Code: P.A.632.3005.600.0.BC.03



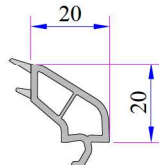
**Single Glazing Bead 4-6 mm**

Code: A.101.4002.600.0.HC



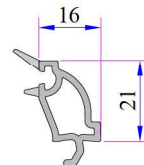
**Double Glazing Bead 20 mm**

Code: P.A.101.4102.600.0.HC



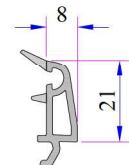
**Double Glazing Bead 20 mm**

Code: P.A.101.4100.600.0.HC



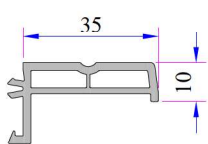
**Double Glazing Bead 24 mm**

Code: P.A.101.4202.600.0.HC



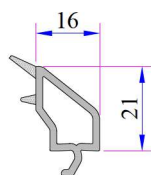
**Triple Glazing Bead 32 mm**

Code: P.A.101.4500.600.0.HC



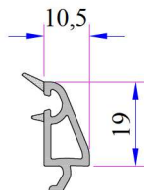
**Frame Sill Profile (35mm)**

Code: P.A.099.5523.600



**Double Glazing Bead 24 mm**

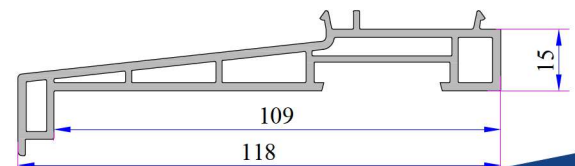
Code: P.A.750.4500.600.0.HC



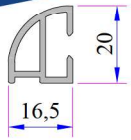
**Triple Glazing Bead 30 mm**

Code: P.A.332.4100.600.0.HC

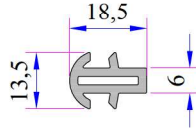
**Sill Profile**  
Code: P.A.058.5504.600.0.00.19



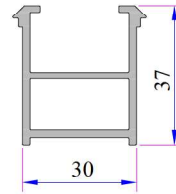
# W 642 - W 640 SERIES PVC PROFILE SYSTEM



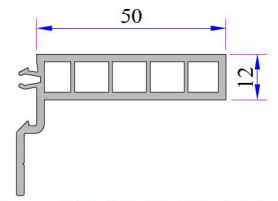
**Offset Profile**  
Code: P.A.900.6307.600



**Short Coupling Profile**  
Code: P.A.099.5003.600



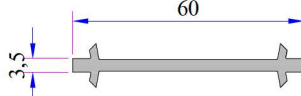
**Frame Montage Profile**  
Code: P.A.060.5301.600.0.00



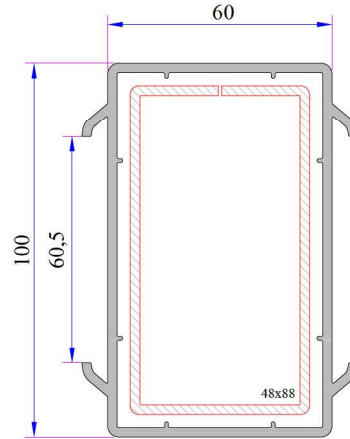
**Frame Sill Profile (50mm)**  
Code: P.A.099.5524.600



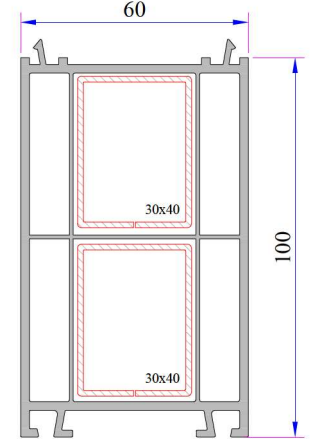
**Universal Large Coupling Cover Profile**  
Code: P.A.058.5707.600.0.00.19



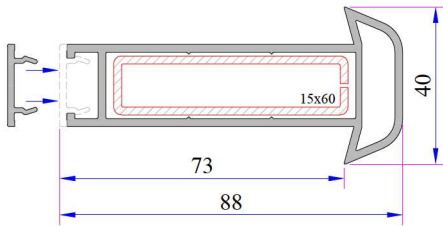
**Narrow Coupling Profile**  
Code: P.A.060.5001.600



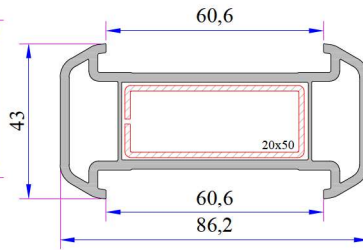
**60x100 Spiked Box Profile**  
Code: P.A.060.5203.600.0.00.19



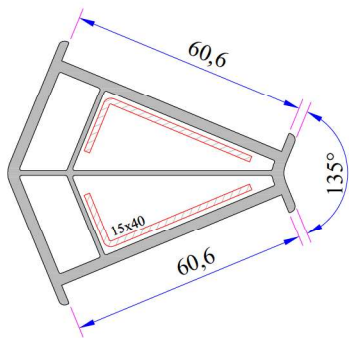
**60x100 Frame Lifting Profile**  
Code: P.A.900.5303.600.0.00.19



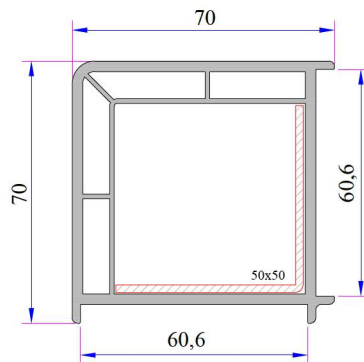
**Universal Large Coupling Profile**  
Code: P.A.058.5000.600.0.00.19



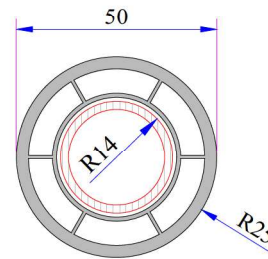
**Large Coupling Profile**  
Code: P.A.060.5000.600.0.00.19



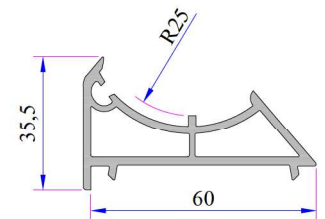
**135° Corner Profile**  
Code: P.A.060.5102.600.0.00.19



**90° Corner Profile**  
Code: P.A.060.5100.600.0.00.19

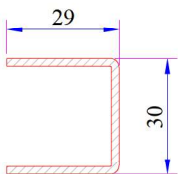


**Pipe Profile**  
Code: P.A.050.5106.600

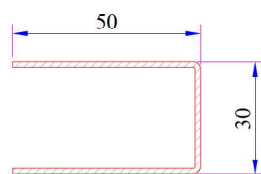


**Corner Lag Profile**  
Code: P.A.060.5104.600.0.00.19

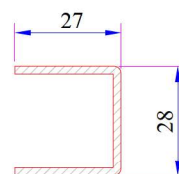
## W 640 - W 642 Re-Inforcement Profiles



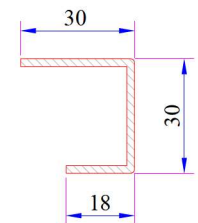
**Frame - Sash - Offset Type Sash - Mullion Profile Reinforcement**  
Code: 34022-12002



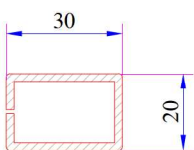
**Door Sash-Outward Opening Door Sash Profile Reinforcement**  
Code: 34022-12013



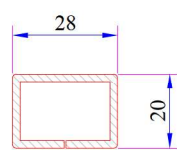
**Outward Opening Sash Profile (9 Axis) Reinforcement**  
Code: 34022-12020



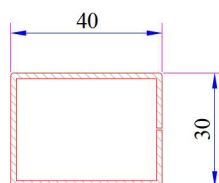
**Outward Opening Sash Profile (22 Axis) Reinforcement**  
Code: 34022-12022



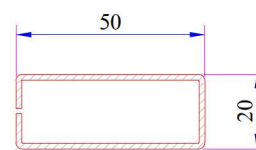
**Outward Opening Mullion Profile Reinforcement**  
Code: 34022-12109



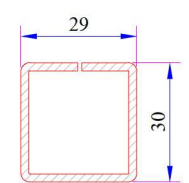
**Lap Joint Profile Reinforcement**  
Code: 34022-12118



**100mm Frame Lifting Profile Reinforcement**  
Code: 34022-12120

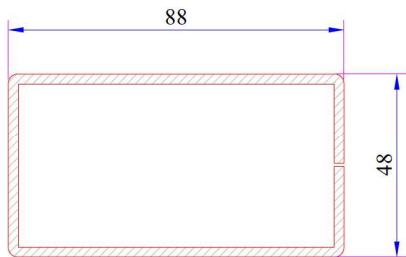


**Large Coupling Profile Reinforcement**  
Code: 34022-12105

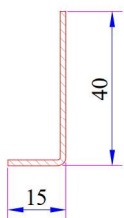


**Mullion Profile Static Reinforcement**  
Code: 34022-15129

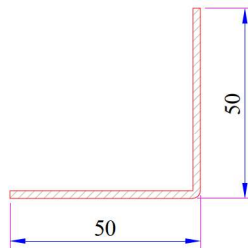
# W 642 - W 640 SERIES PVC PROFILE SYSTEM



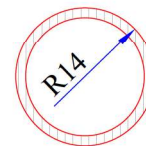
**60x100 mm Box Profile Reinforcement**  
Code: 34022-12102



**135° Corner Profile Reinforcement**  
Code: 34022-12301

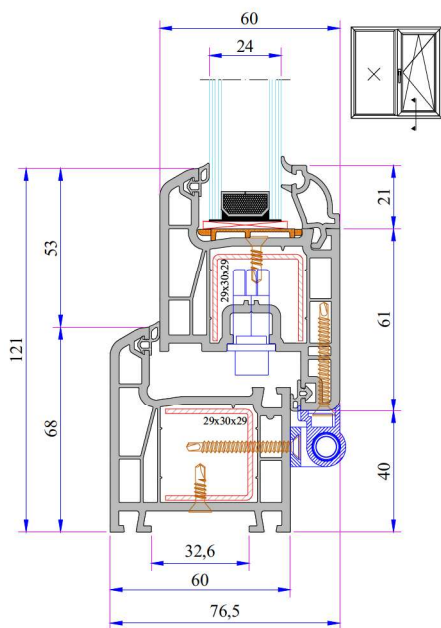


**90° Corner Profile Reinforcement**  
Code: 34022-12302

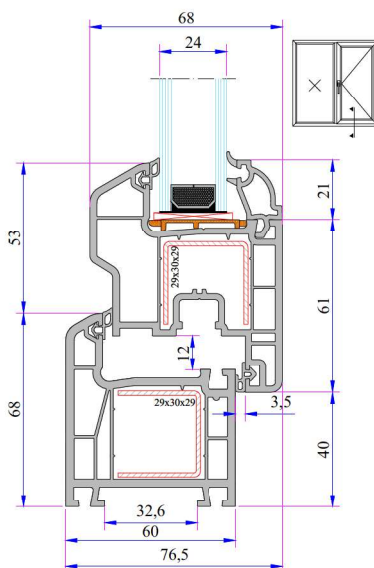


**Pipe Profile Reinforcement**  
Code: 34022-12503

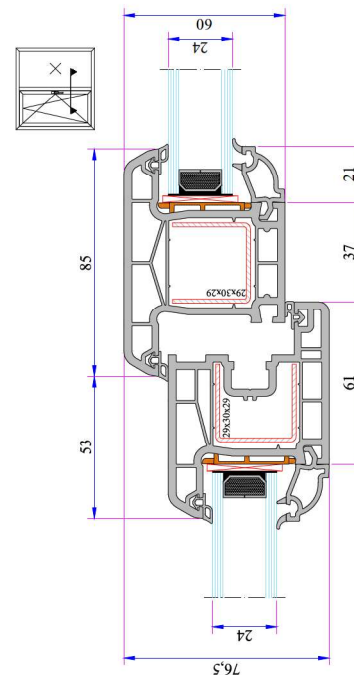
## W 640 - W 642 Installation



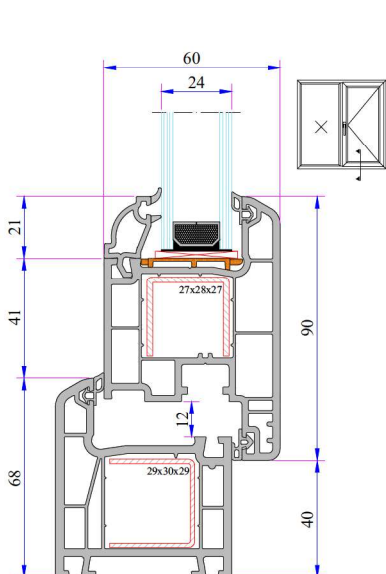
**Frame - Sash Installation**



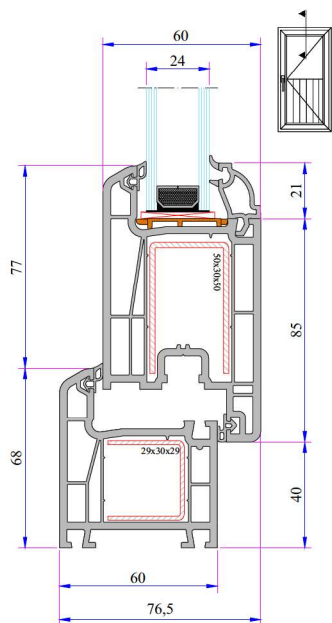
**Frame - Offset Type Sash Installation**



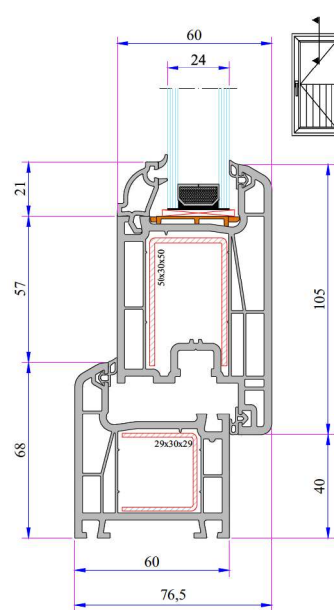
**Sash - Mullion Installation**



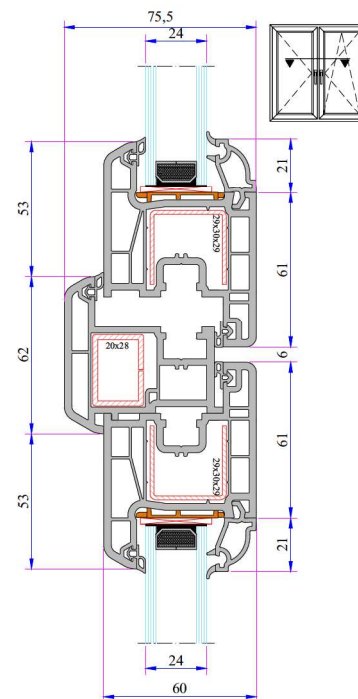
**Frame - Outward Opening Sash Installation**



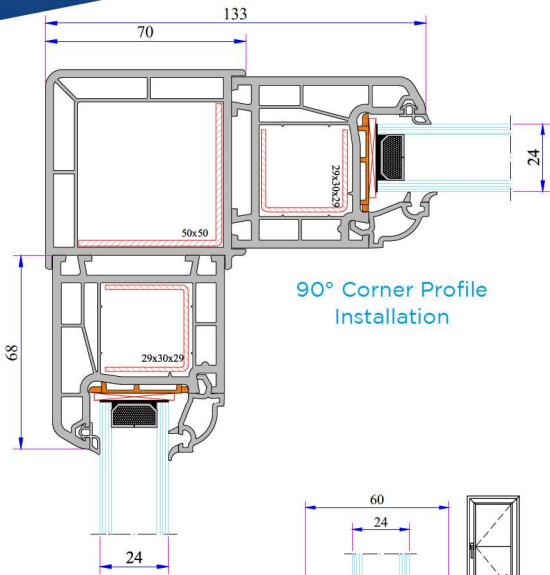
**Frame - Door Sash Installation**



**Frame - Outward Opening Door Sash Profile**

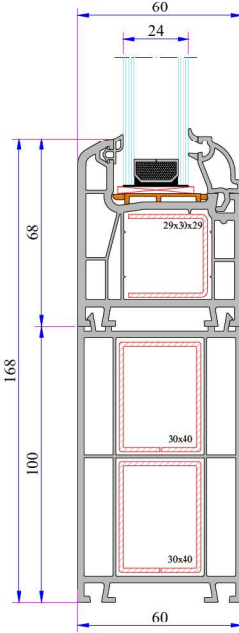
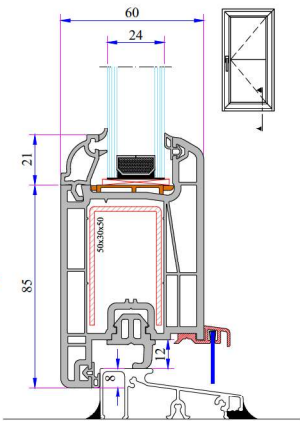


**Sash - Lap Joint - Sash Installation**

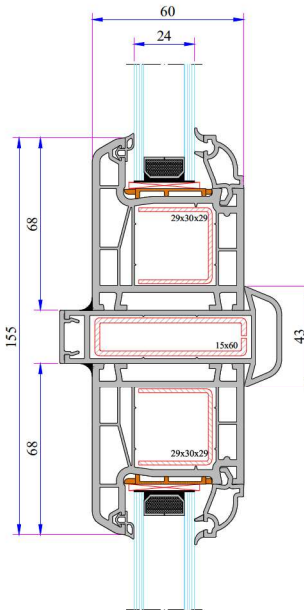


**90° Corner Profile Installation**

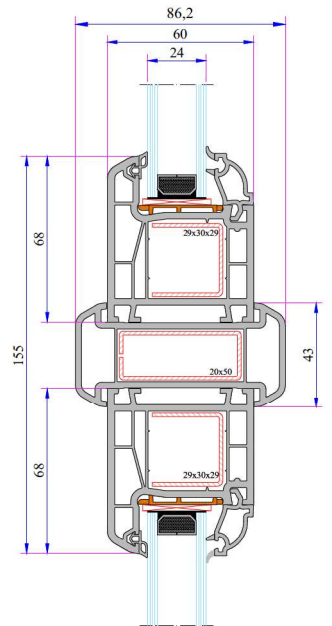
With Aluminium Threshold Frame Door Sash Installation



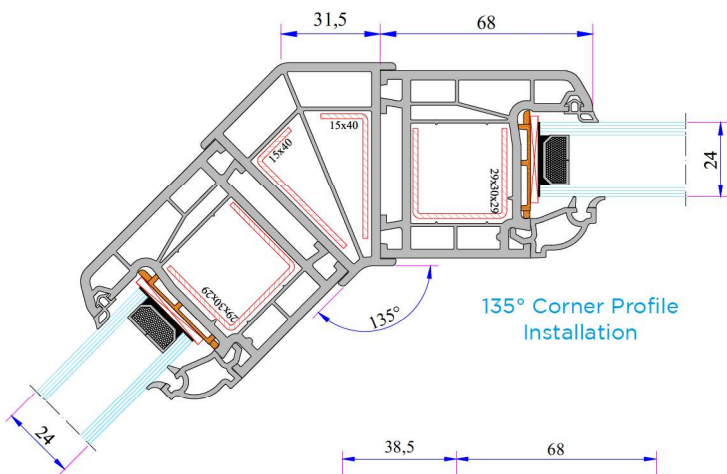
**100mm Frame Lifting Profile Installation**



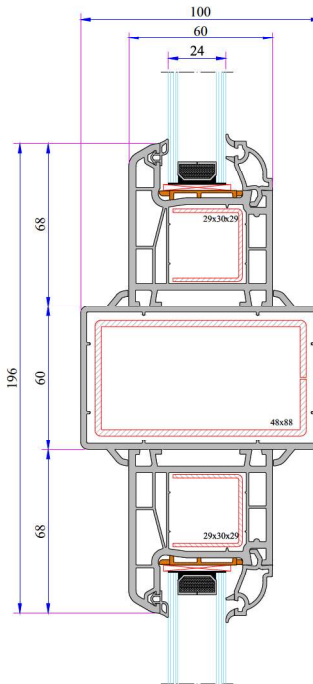
**Large Coupling Installation**



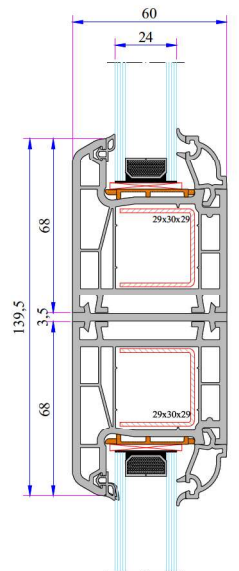
**Large Coupling Installation**



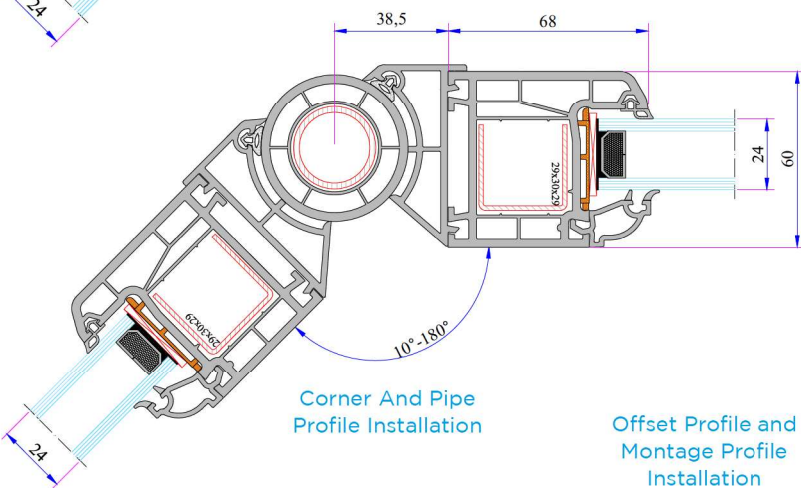
**135° Corner Profile Installation**



**60x100 Spiked Box Profile Installation**

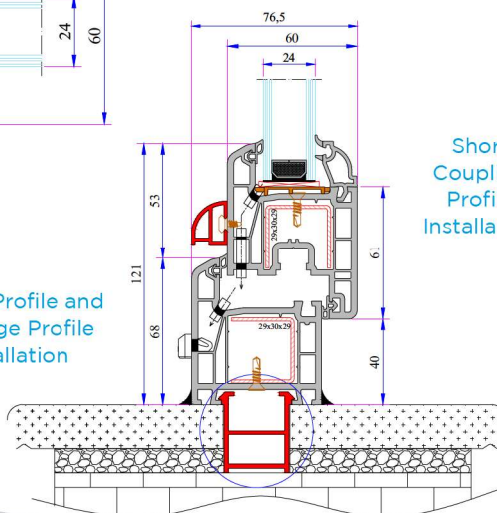


**Narrow Coupling Profile Installation**

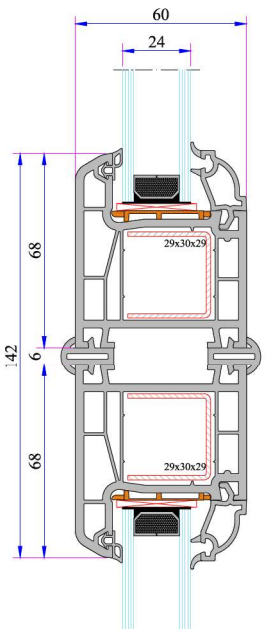


**Corner And Pipe Profile Installation**

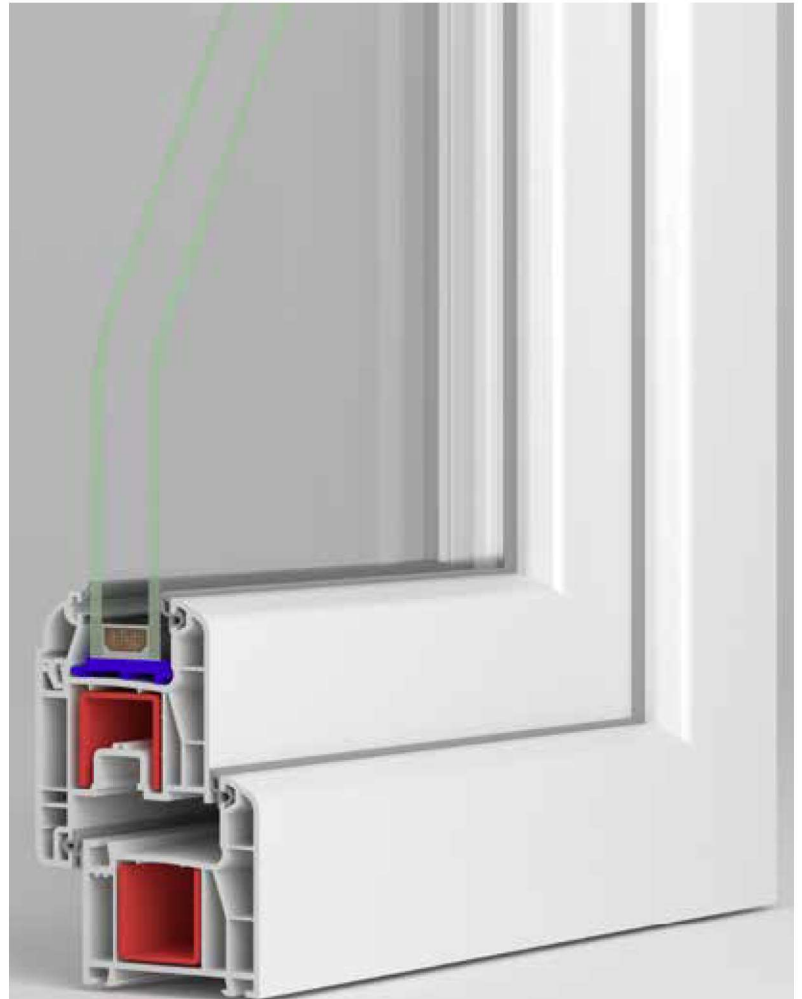
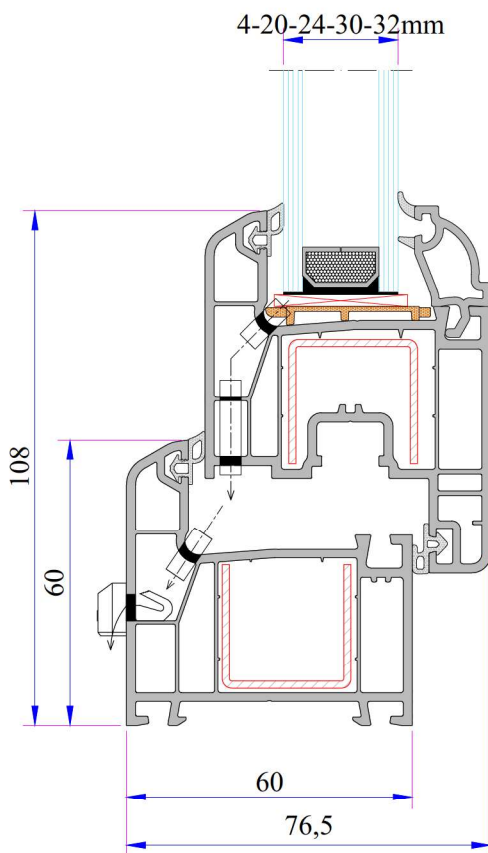
**Offset Profile and Montage Profile Installation**



**Short Coupling Profile Installation**







## TECHNICAL

### W 634 SERIES

**Profile Width:** 60 mm

**Number of chambers:** 4

**Profile Class:** C Class

**Seal Type:** External / Internal double seal system

**Seal Type and Color:** TPE - Grey /Black

**Glass Thickness (mm):** 4, 20, 24, 30, 32 mm

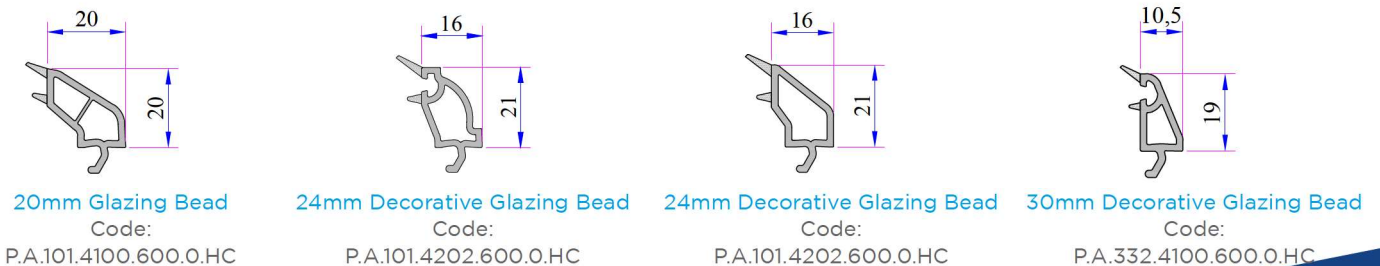
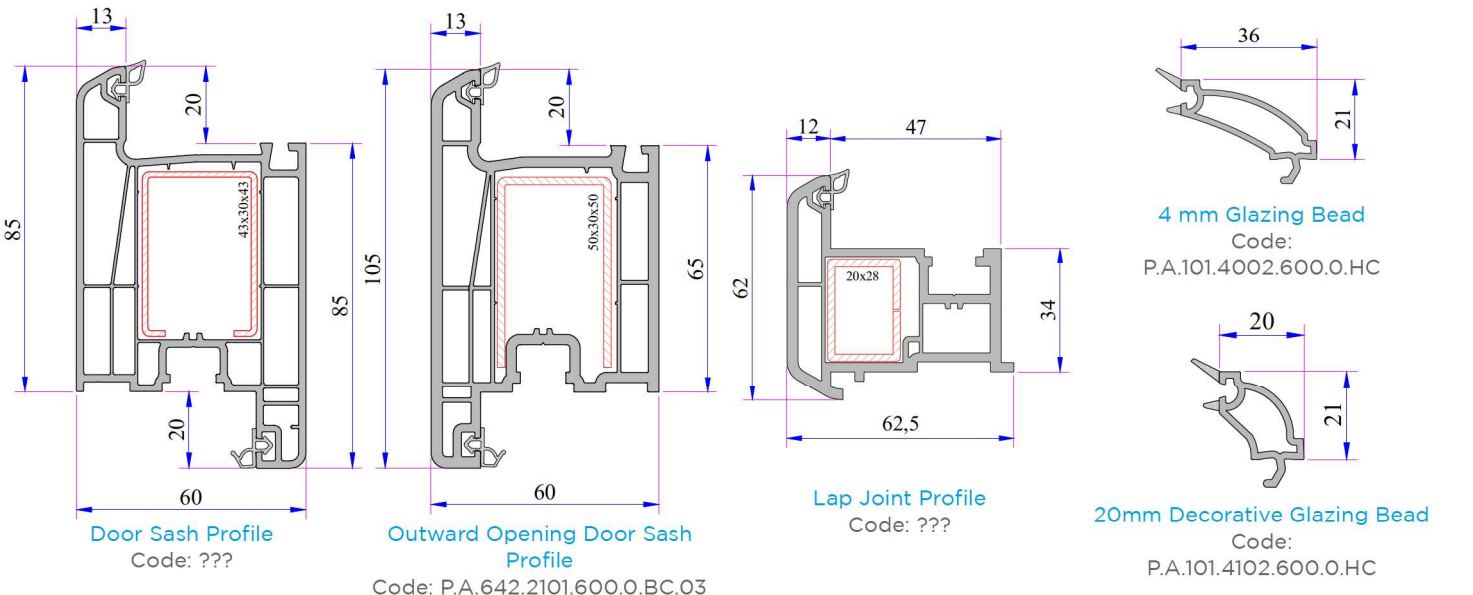
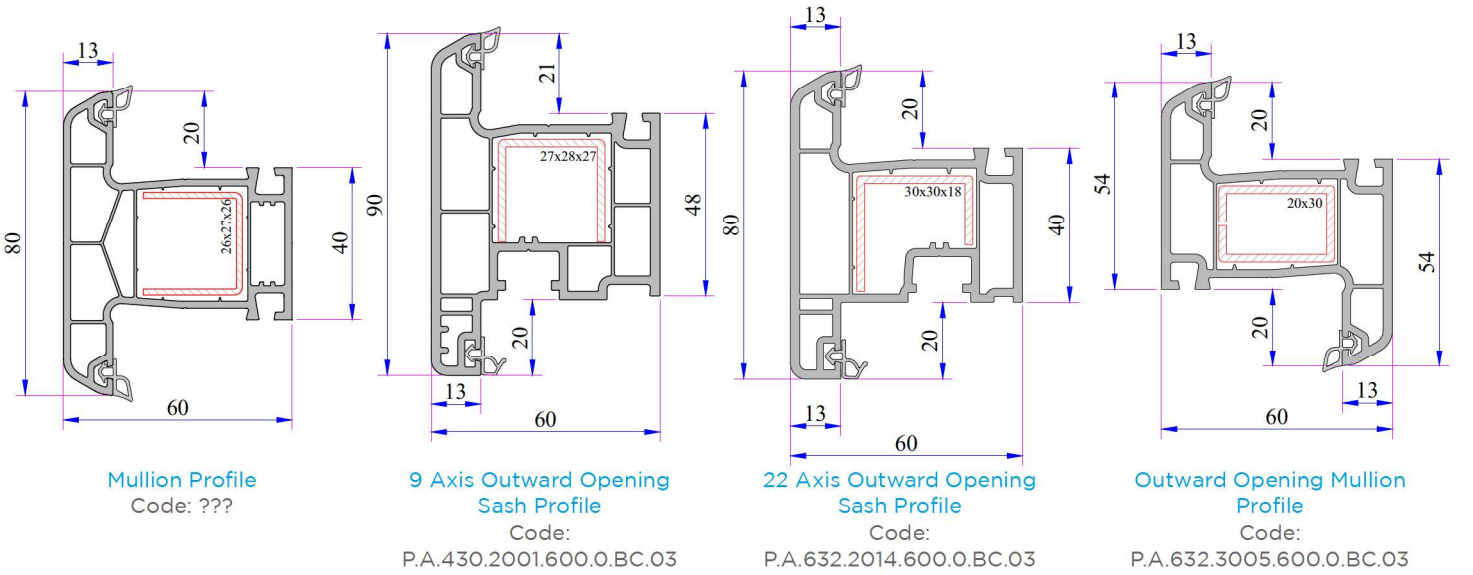
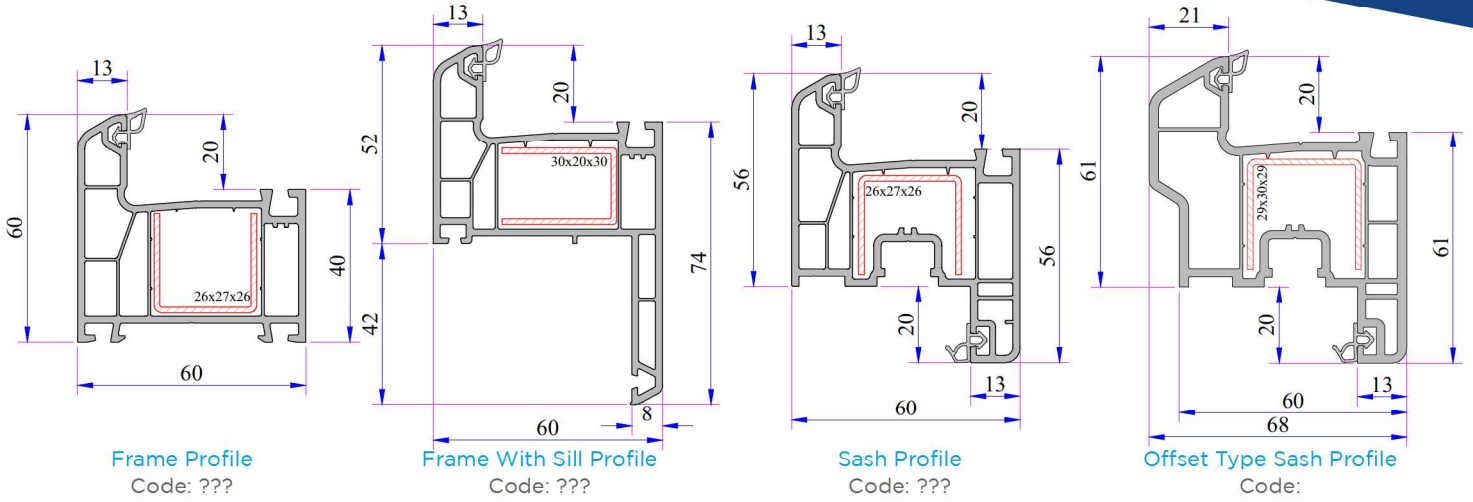
**The thermal insulation Uf:** 1,50 W/m<sup>2</sup>K

## INSTRUCTION

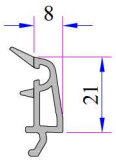
- The main profiles have 60 mm width.
- Because of the elastic grey and black seal which does not leave any stain on profiles will be provided maximum air, water, dust and sound isolation.
- Due to the 4 chambers profiles, it has maximum performance for thermal, sound and water isolation.
- Excluding normal sash profile there is also chance to have a choice for offset type sash profile.
- In addition to white profile a different laminated color range is available.
- 4-6 mm single glazing application of 20, 24, 30, 32 mm glazing beads give us alternatives of using double, triple glazing and panels.



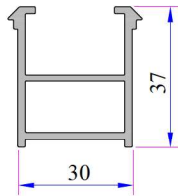
# W 634 SERIES PVC PROFILE SYSTEM



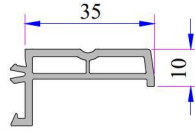
# W 634 SERIES PVC PROFILE SYSTEM



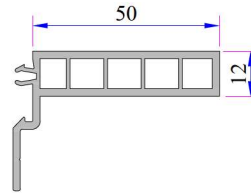
**32mm Glazing Bead**  
Code: P.A.101.4500.600.0.HC



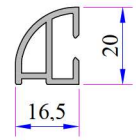
**Frame Montage Profile**  
Code: P.A.060.5301.600.0.00



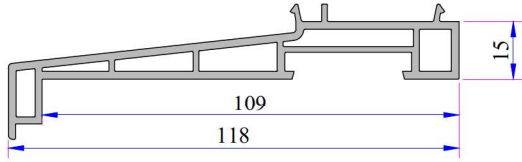
**Sill Profile (35mm)**  
Code: P.A.099.5523.600



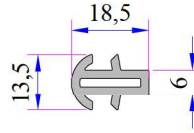
**Sill Profile (50mm)**  
Code: P.A.099.5524.600



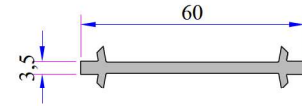
**Offset Profile**  
Code: P.A.900.6307.600



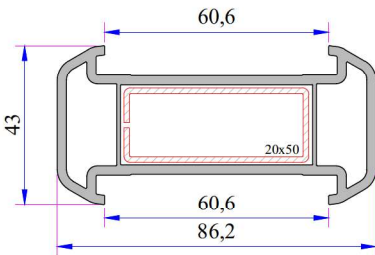
**Sill Profile**  
Code: P.A.058.5504.600.0.00.19



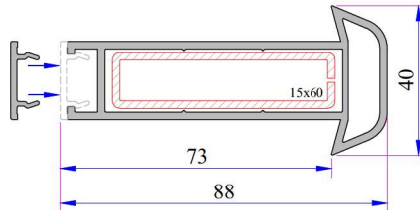
**Short Coupling Profile**  
Code: P.A.099.5003.600



**Narrow Coupling Profile**  
Code: P.A.060.5001.600



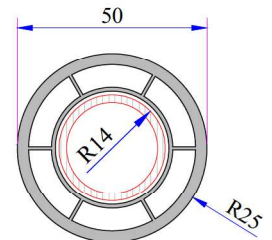
**Large Coupling Profile**  
Code: P.A.060.5000.600.0.00.19



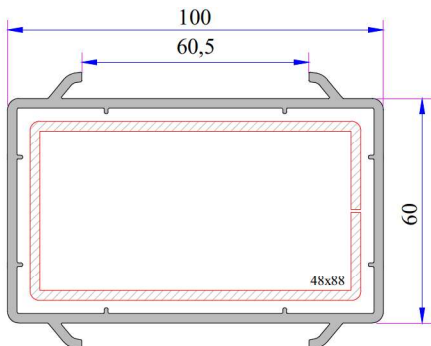
**Universal Large Coupling Profile**  
Code: P.A.058.5000.600.0.00.19



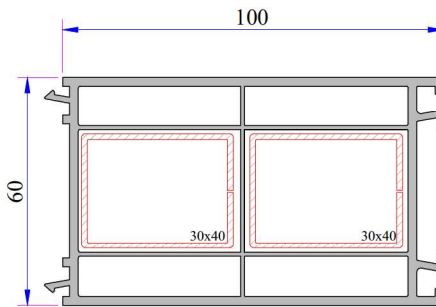
**Universal Large Coupling Profile**  
Code: P.A.058.5707.600.0.00.19



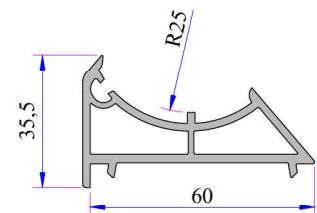
**Pipe Profile**  
Code: P.A.900.5303.600.0.00.19



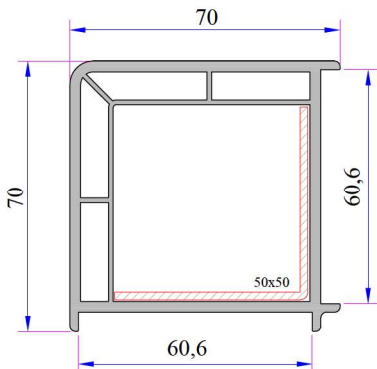
**60x100 Spiked Box Profile**  
Code: P.A.060.5203.600.0.00.19



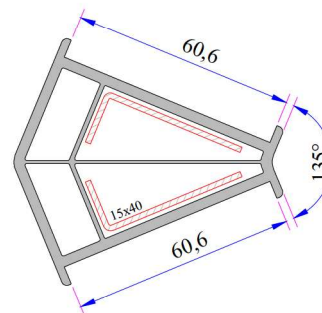
**60x100 Frame Lifting Profile**  
Code: P.A.900.5303.600.0.00.19



**Corner Lag Profile**  
Code: P.A.060.5104.600.0.00.19

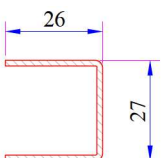


**90° Corner Profile**  
Code: P.A.060.5100.600.0.00.19

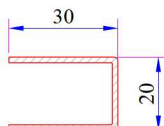


**135° Corner Profile**  
Code: P.A.060.5102.600.0.00.19

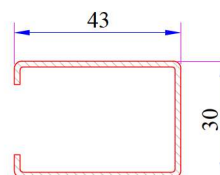
## W 634 Re-Inforcement Profiles



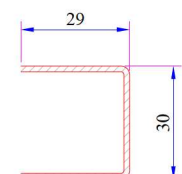
**Frame, Sash, Mullion Profile Reinforcement**  
Code: ???



**Frame With Sill Profile Reinforcement**  
Code: 34022-12006

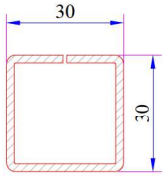


**Door Sash Profile Reinforcement**  
Code: ???

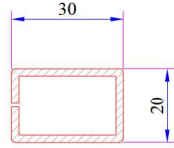


**Offset Type Sash Profile Reinforcement**  
Code: 34022-12002

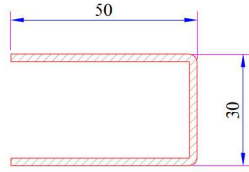
# W 634 SERIES PVC PROFILE SYSTEM



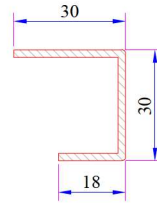
Frame - Mullion Static Reinforcement  
Code: 34022-15129



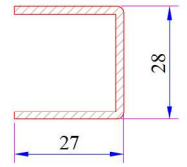
Outward Opening Mullion Profile Reinforcement  
Code: 34022-12109



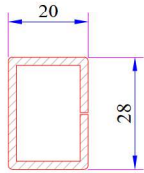
Door Sash - Outward Opening Door Sash Profile Reinforcement  
Code: 34022-12013



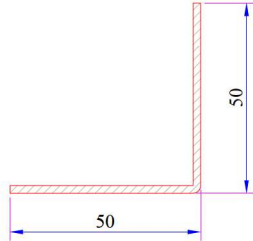
Outward Opening Sash (9 Axis) Reinforcement  
Code: 34022-12022



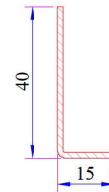
Outward Opening Sash Profile Reinforcement  
Code: 34022-12020



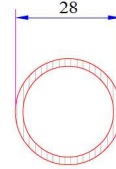
Lap Joint Profile Reinforcement  
Code: 34022-12118



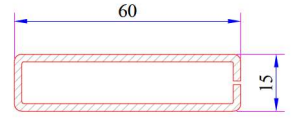
Corner Profile 90° Reinforcement  
Code: 34022-12302



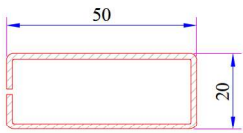
Corner Profile 135° Reinforcement  
Code: 34022-12301



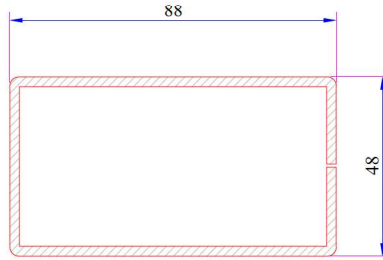
Pipe Profile Reinforcement  
Code: 34022-12503



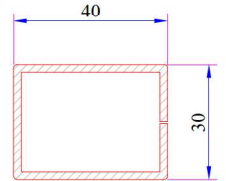
Universal Large Coupling Profile Reinforcement  
Code: 34022-12123



Large Coupling Profile Reinforcement  
Code: 34022-12105

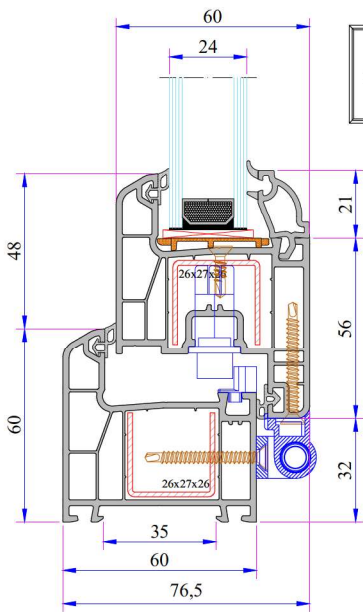


60x100 Spiked Box Profile Reinforcement  
Code: 34022-12102

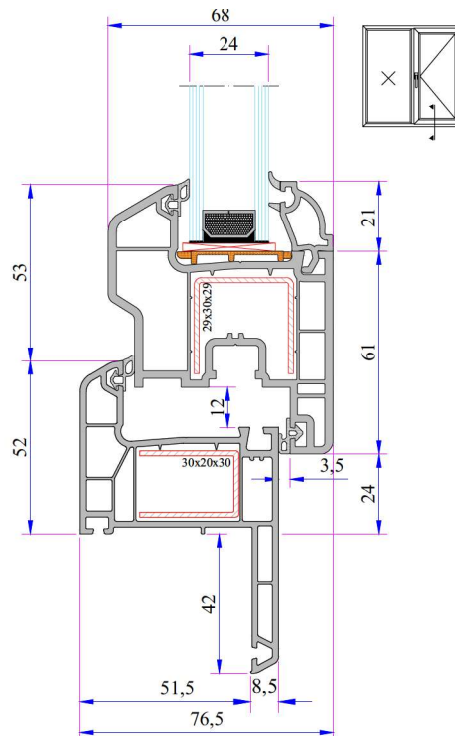


60x100 Frame Lifting Profile Reinforcement  
Code: 34022-12120

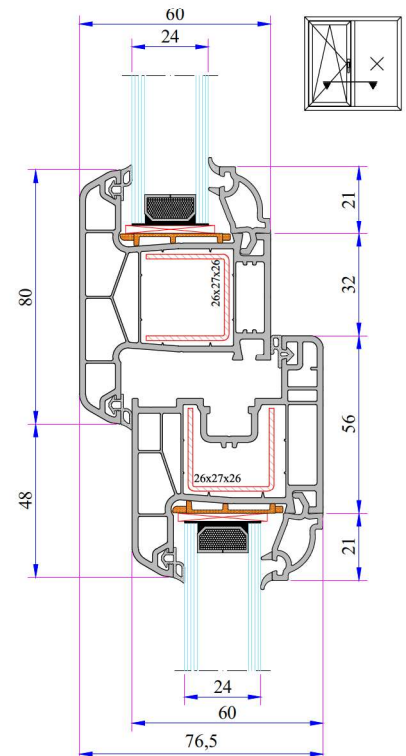
## W 634 Installation



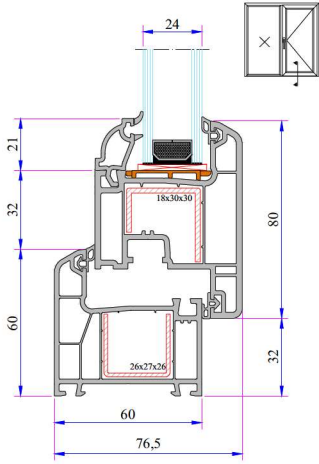
Frame - Sash Installation



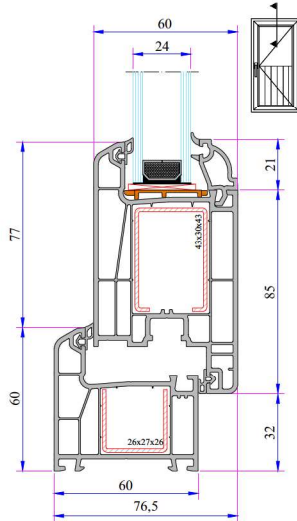
Frame - Offset Type Sash Installation



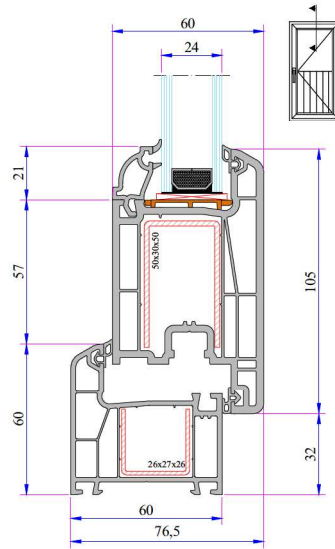
Sash - Mullion Installation



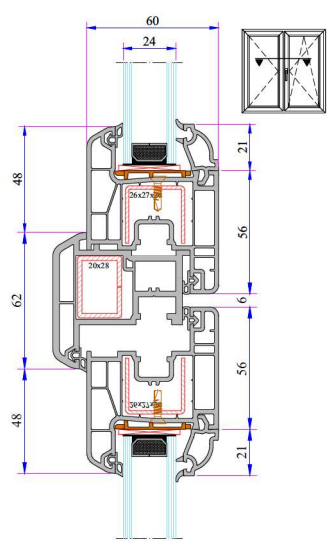
Frame - Outward Opening Sash Installation



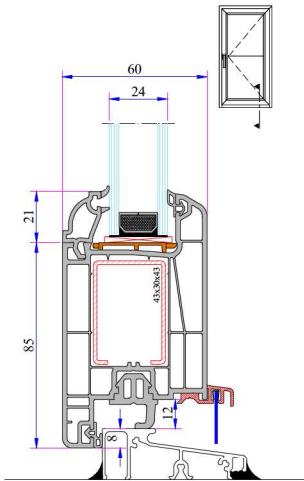
Frame - Door Sash Installation



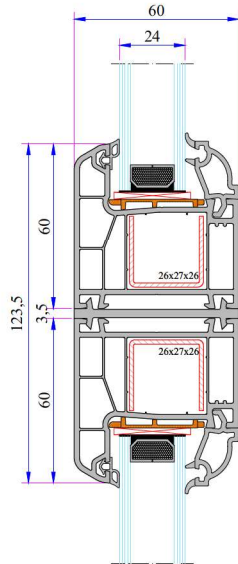
Frame - Outward Opening Door Sash Installation



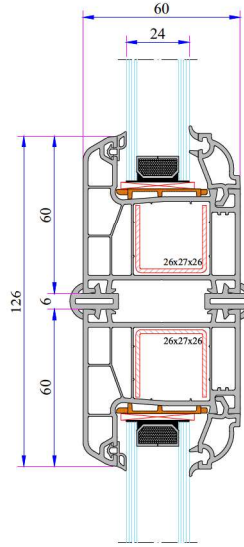
Sash - Lap Joint - Sash Installation



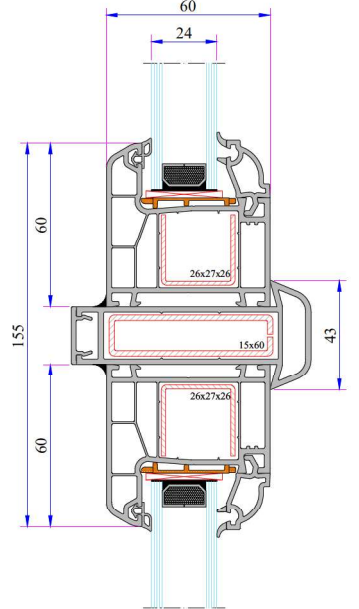
Aluminium Threshold - Door Sash Installation



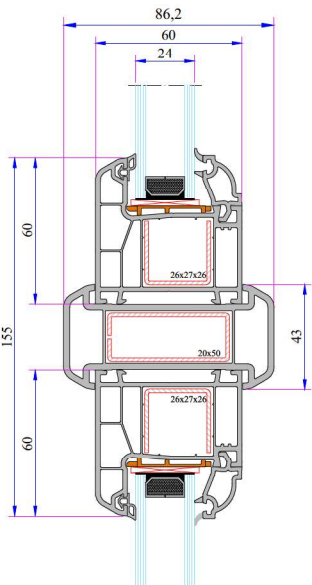
Narrow Coupling Profile Installation



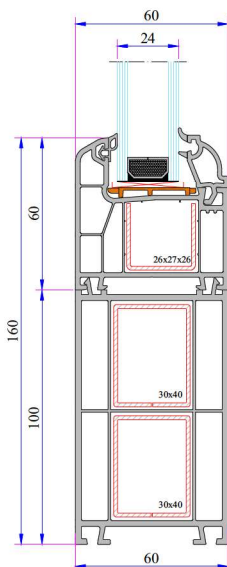
Short Coupling Profile Installation



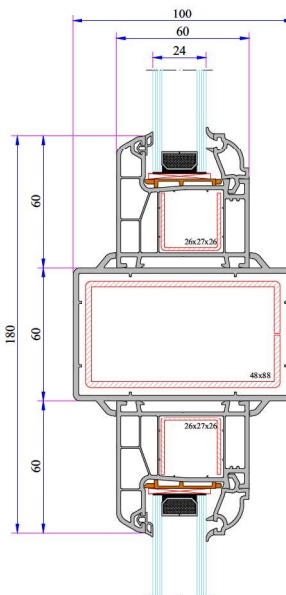
Universal Large Coupling Profile Installation



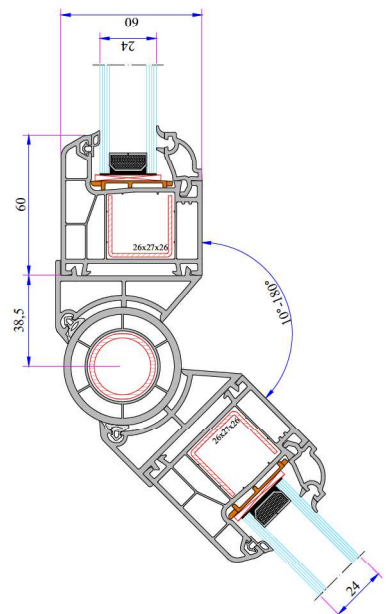
Large Coupling Profile Installation



100mm Frame Lifting Profile Installation

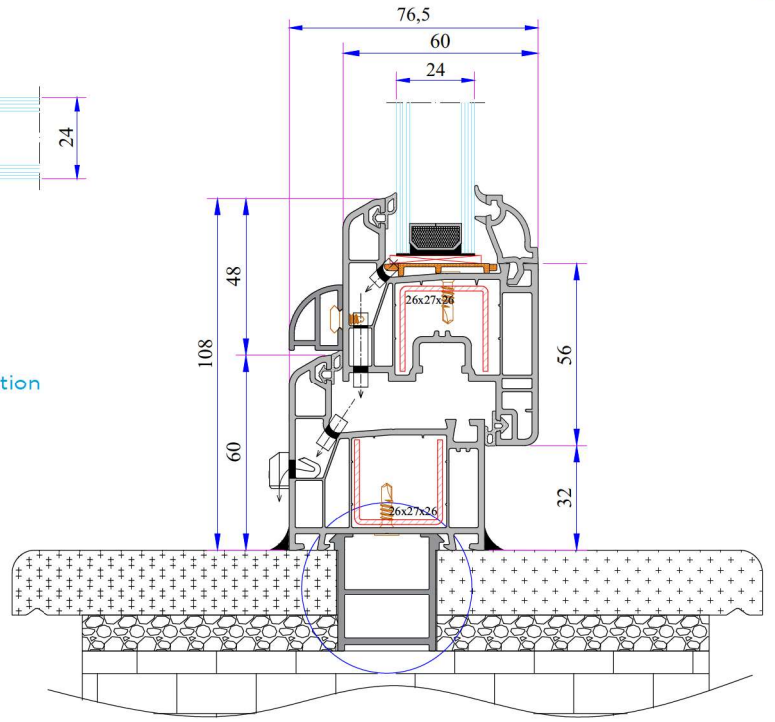
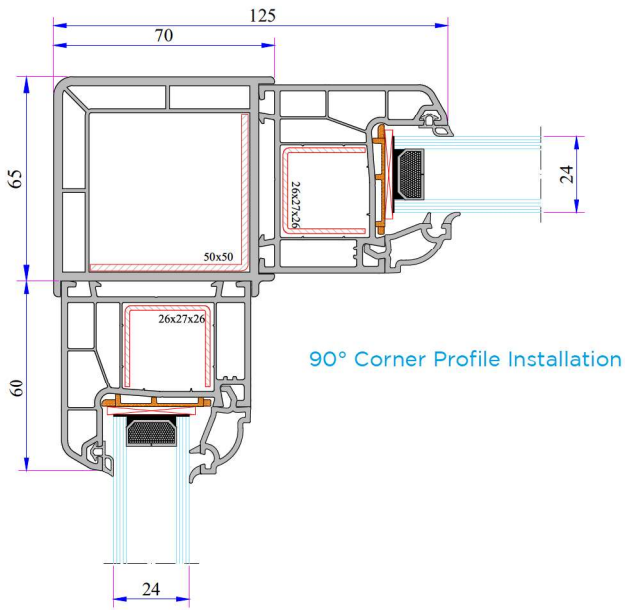
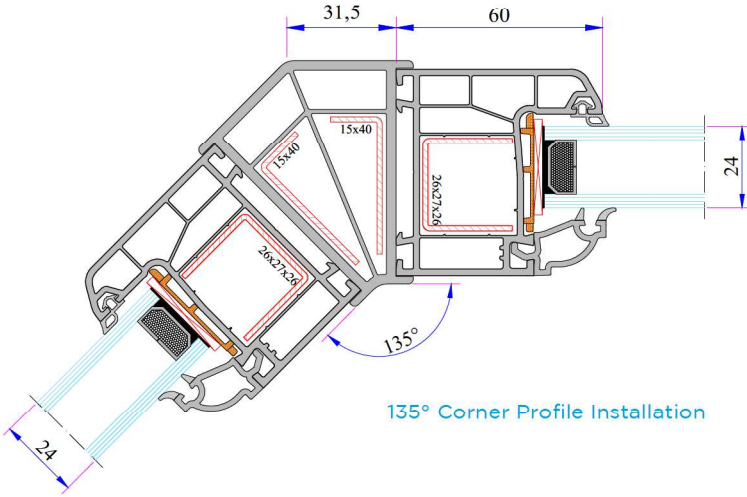


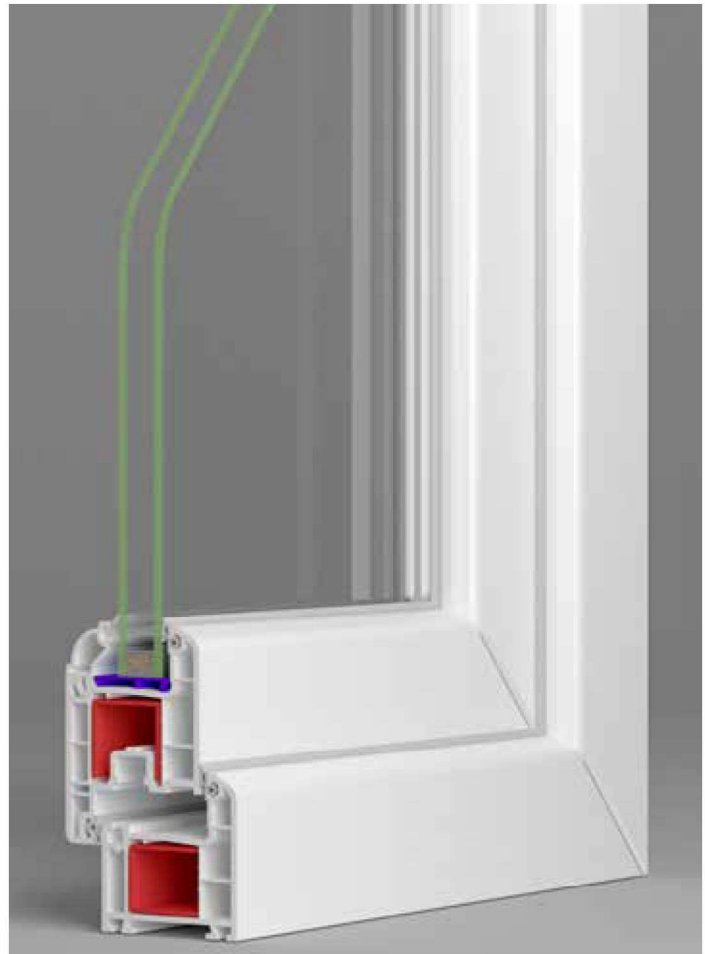
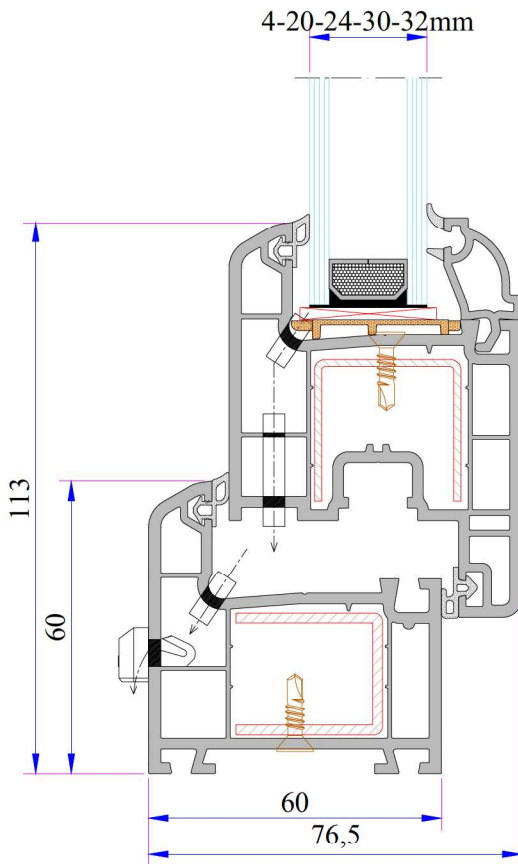
60x100 Spiked Box Profile Installation



Corner And Pipe Profile Installation

# W 634 SERIES PVC PROFILE SYSTEM





## TECHNICAL

### W 632 SERIES

**Profile Width:** 60 mm

**Number of chambers:** 3

**Profile Class:** B Class (TS EN 12608-1)

**Seal Type:** External / Internal double seal system

**Seal Type and Color:** TPE - Grey /Black

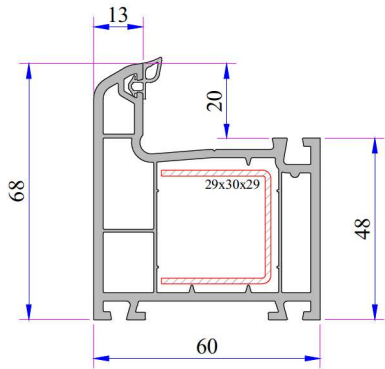
**Glass Thickness (mm):** 4, 20, 24, 30, 32 mm

**The thermal insulation Uf:** 1,58 W/m<sup>2</sup>K

## INSTRUCTION

- The main profile has 60 mm width.
- Because of the elastic grey and black seal which does not leave any stain on profiles will be provided maximum air, water, dust and sound isolation.
- Due to the 3 chambers profiles, it has maximum performance for thermal, sound and water isolation.
- It is a series of profiles with very special design that provides maximum wind resistance on high rise buildings.
- Excluding normal sash profile there is also chance to have a choice for offset type sash profile.
- In addition to white profile a different laminated color range is available.
- 4-5 mm single glazing application of 20, 24, 30, 32 mm glazing beads give us alternatives of using double, triple glazing and panels.
- It provides the visual integrity in the inner surface and the frame-wall connections due to integrated frame with sill profile.

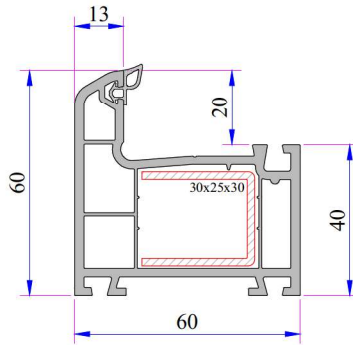
# W 632 SERIES PVC PROFILE SYSTEM



**Super Frame Profile**

Code:

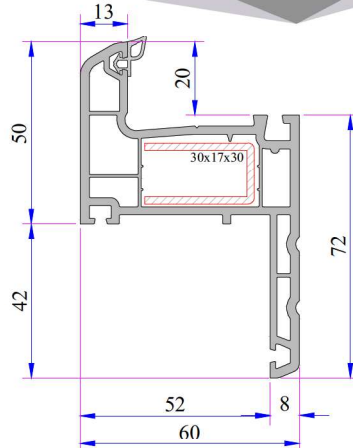
P.A.632.1001.600.0.BC.03



**Frame Profile**

Code:

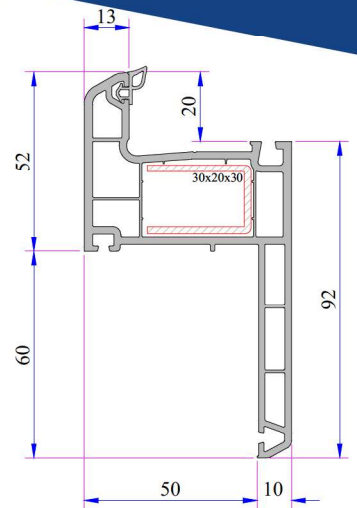
P.A.632.1000.600.0.BC.03



**Frame Profile With Sill**

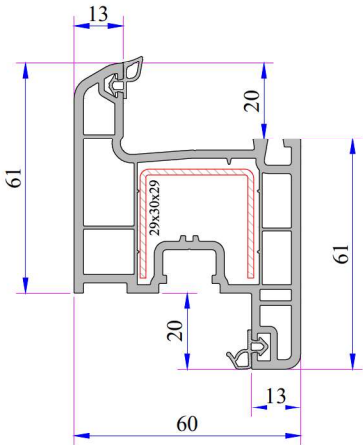
Code:

P.A.632.1200.600.0.BC.03



**Frame Profile With Sill 60mm**

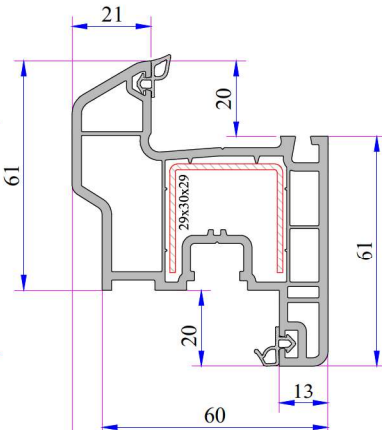
Code: P.A.632.1207.600.0.BC.03



**Sash Profile**

Code:

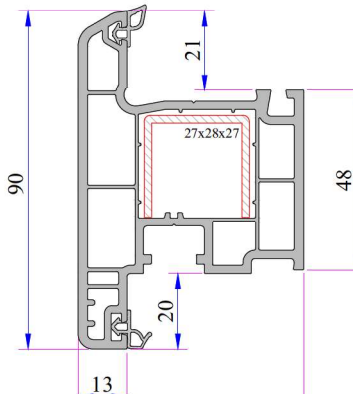
P.A.632.2000.600.0.BC.03



**Offset Type Sash Profile**

Code:

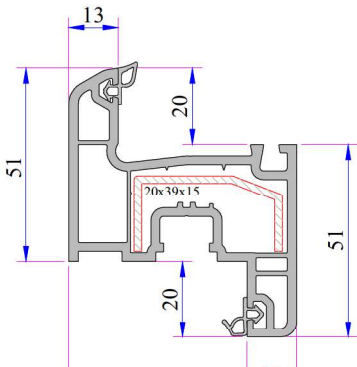
P.A.632.2200.600.0.BC.03



**9 Axis Outward Opening Sash Profile**

Code:

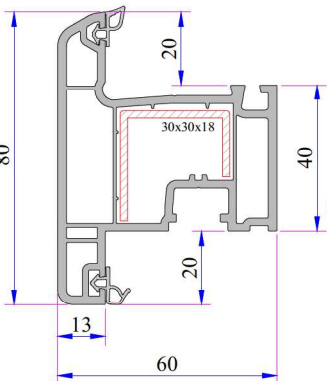
P.A.430.2001.600.0.BC.03



**Eco Sash Profile**

Code:

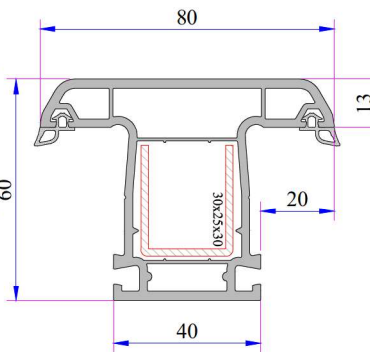
P.A.900.2005.600.0.BC.03



**22 Axis Outward Opening Sash Profile**

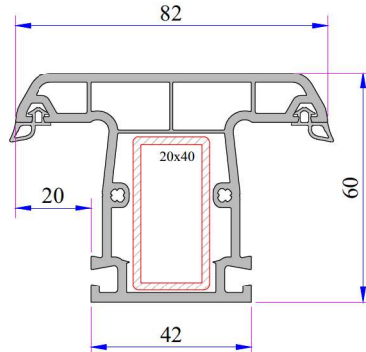
Code:

P.A.632.2014.600.0.BC.03



**Mullion Profile**

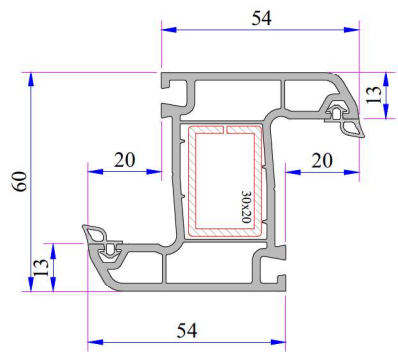
Code: P.A.632.3000.600.0.BC.03



**Static Mullion Profile**

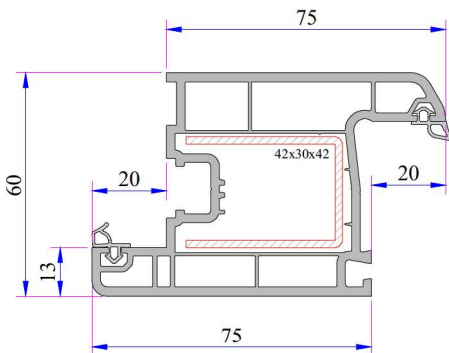
Code:

P.A.900.3003.600.0.BC.03



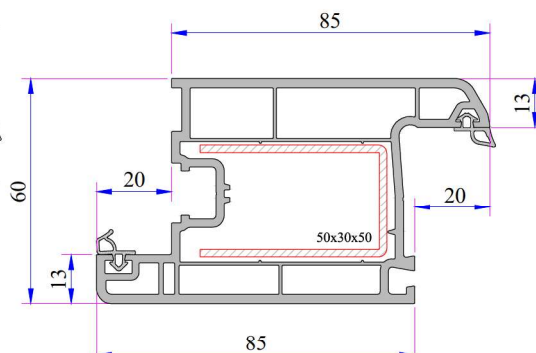
**Outward Opening Mullion Profile**

Code: P.A.632.3005.600.0.BC.03



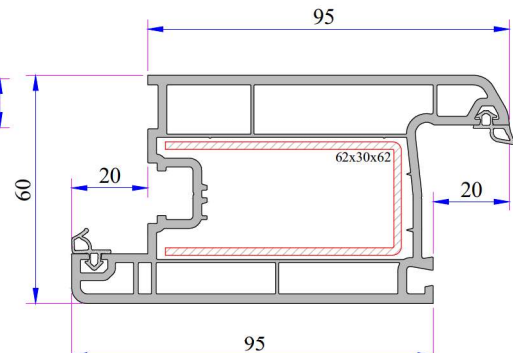
**Eco Door Sash Profile**

Code: P.A.632.2107.600.0.BC.03



**Door Sash Profile**

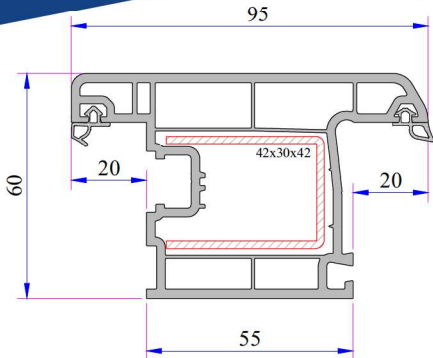
Code: P.A.632.2100.600.0.BC.03



**Super Door Sash Profile**

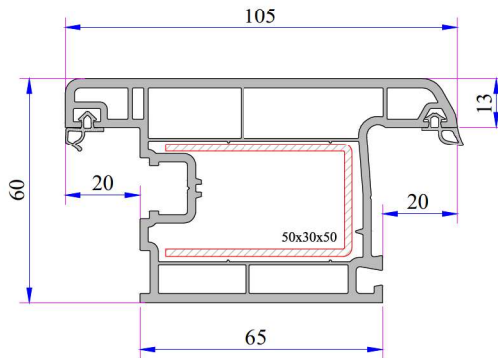
Code: P.A.632.2100.600.0.BC.03

# W 632 SERIES PVC PROFILE SYSTEM



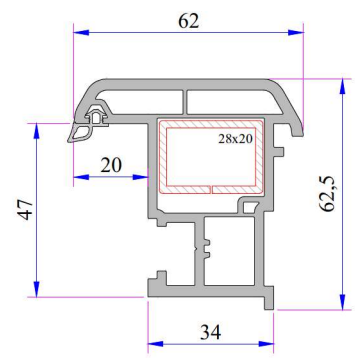
**Outward Opening Eco Door Sash Profile**

Code: P.A.632.2108.600.0.BC.03



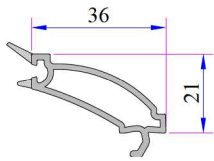
**Outward Opening Door Sash Profile**

Code: P.A.632.2101.600.0.BC.03



**Lap Joint Profile**

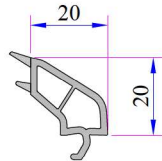
Code: P.A.632.3100.600.0.BC.19



**Single Glazing Bead 4-6 mm**

Code:

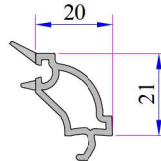
P.A.101.4002.600.0.HC



**Double Glazing Bead 20 mm**

Code:

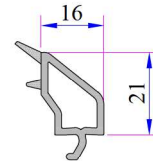
P.A.101.4100.600.0.HC



**Double Glazing Bead 20 mm**

Code:

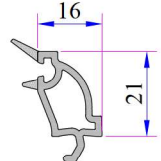
P.A.101.4102.600.0.HC



**Double Glazing Bead 24 mm**

Code:

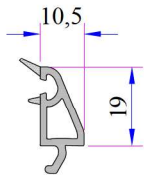
P.A.750.4500.600.0.HC (White)



**Double Glazing Bead 24 mm**

Code:

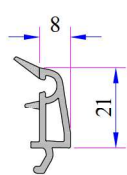
P.A.101.4202.600.0.HC



**Double Glazing Bead 30 mm**

Code:

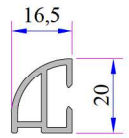
P.A.332.4100.600.0.HC



**Double Glazing Bead 32 mm**

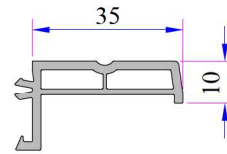
Code:

P.A.101.4500.600.0.HC



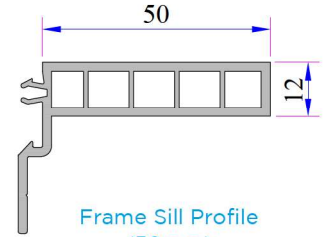
**Offset Profile**

Code: P.A.900.6307.600



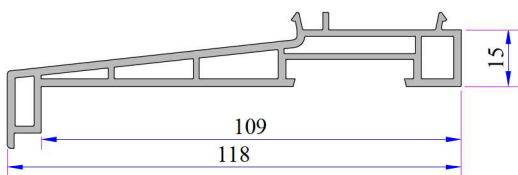
**Frame Sill Profile (35mm)**

Code: P.A.099.5523.600



**Frame Sill Profile (50mm)**

Code: P.A.099.5524.600



**Sill Profile**

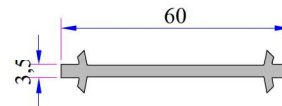
Code: P.A.058.5504.600.0.00.19



**Universal Large Coupling Profile Cover**

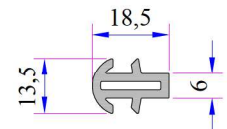
Code:

P.A.058.5707.600.0.00.19



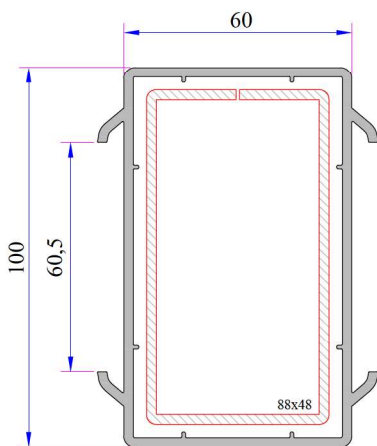
**Narrow Couple Profile**

Code: P.A.060.5001.600



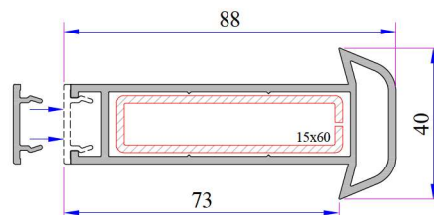
**Short Coupling Profile**

Code: P.A.099.5003.600



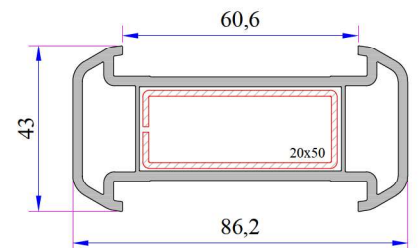
**60x100 Spiked Box Profile**

Code: P.A.060.5203.600.0.00



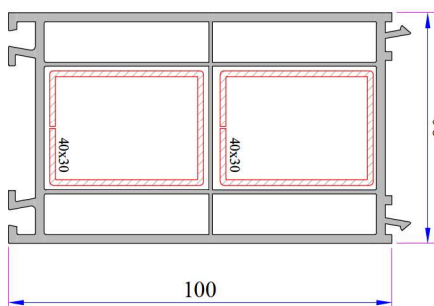
**Universal Large Coupling Profile**

Code: P.A.058.5000.600.0.00.19



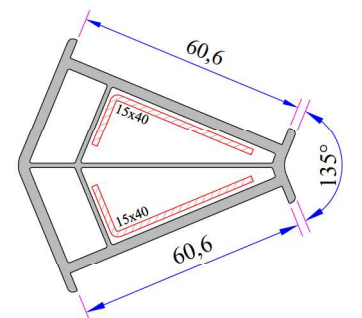
**Large Coupling Profile**

Code: P.A.060.5000.600.0.00.19



**60x100 Frame Lifting Profile**

Code: P.A.900.5303.600.0.00.19

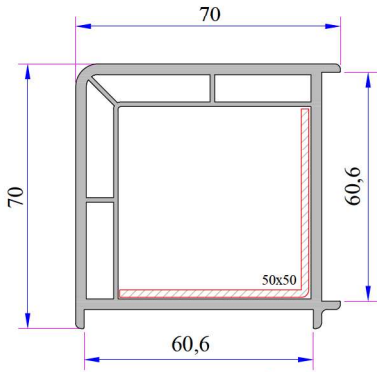


**135° Corner Profile**

Code: P.A.060.5102.600.0.00.19



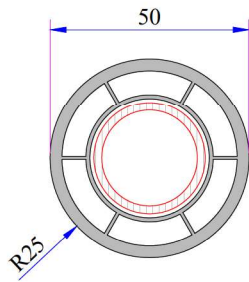
# W 632 SERIES PVC PROFILE SYSTEM



**90° Corner Profile**

Code:

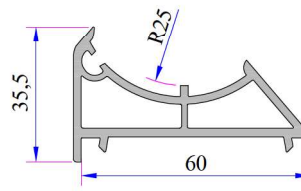
P.A.060.5100.600.0.00.19



**Pipe Profile**

Code:

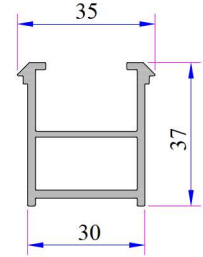
P.A.050.5106.600



**Corner Lag Profile**

Code:

P.A.060.5104.600.0.00.19

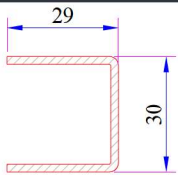


**Frame Montage Profile**

Code:

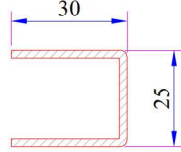
P.A.060.5301.600.0.00.19

## W 632 Re-Inforcement Profiles



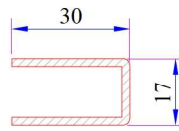
**Super Frame - Sash - Offset Type Sash Profile Reinforcement**

Code: 34022-12002



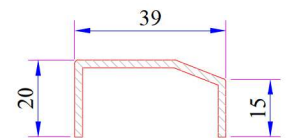
**Frame - Mullion Profile Reinforcement**

Code: 34022-12004



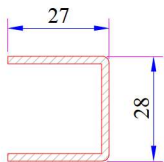
**Frame Profile with Sill Reinforcement**

Code: 34022-12032



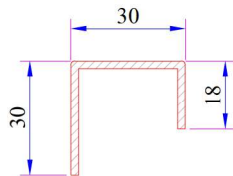
**Narrow Sash Profile Reinforcement**

Code: 34022-12031



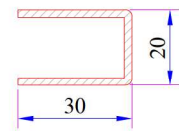
**9 Axis Outward Opening Sash Profile Reinforcement**

Code: 34022-12020



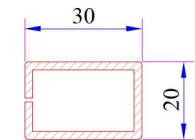
**22 Axis Outward Opening Sash Profile Reinforcement**

Code: 34022-12022



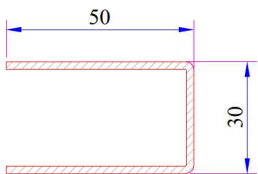
**Frame Profile with Sill 60mm Reinforcement**

Code: 34022-12006



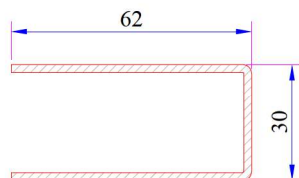
**Outward Opening Mullion Profile Reinforcement**

Code: 34022-12109



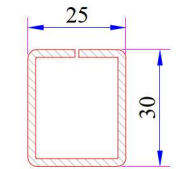
**Door Sash - Outward Opening Door Sash Profile Reinforcement**

Code: 34022-12013



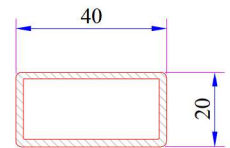
**Super Door Sash Profile Reinforcement**

Code: 34022-12029



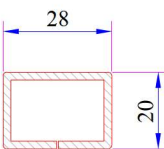
**Mullion Profile Static Reinforcement**

Code: 34022-12004



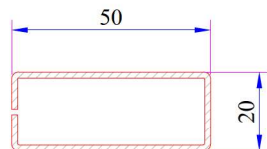
**Static Mullion Profile Reinforcement**

Code: 34022-12114



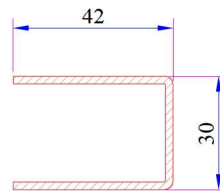
**Lap Joint Profile Reinforcement**

Code: 34022-12118



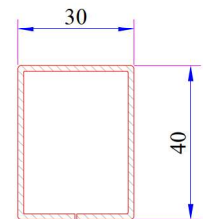
**Large Couple Profile Reinforcement**

Code: 34022-12105



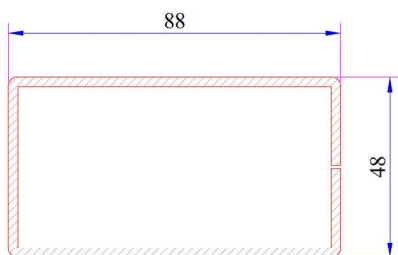
**Eco Door Sash - Outward Opening Eco Door Sash Profile Reinforcement**

Code: 34022-12023



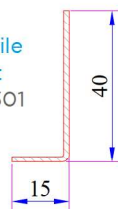
**60x100 Frame Lifting Profile Reinforcement**

Code: 34022-12120



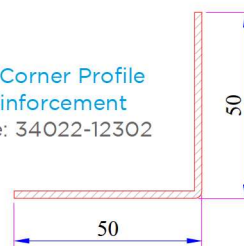
**60x100 mm Box Profile Reinforcement**

Code: 34022-12102



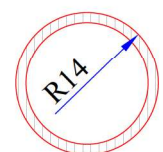
**135° Corner Profile Reinforcement**

Code: 34022-12301



**90° Corner Profile Reinforcement**

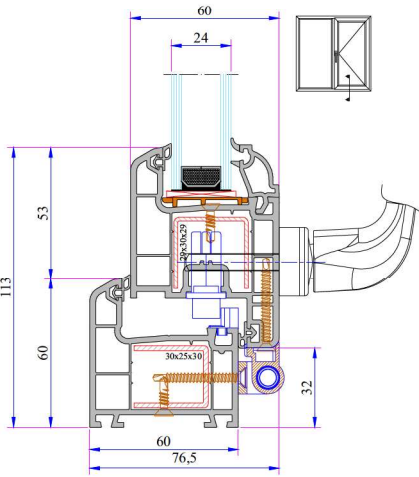
Code: 34022-12302



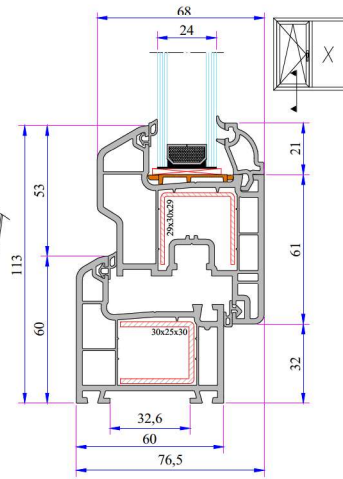
**Pipe Profile**

Code: 34022-12503

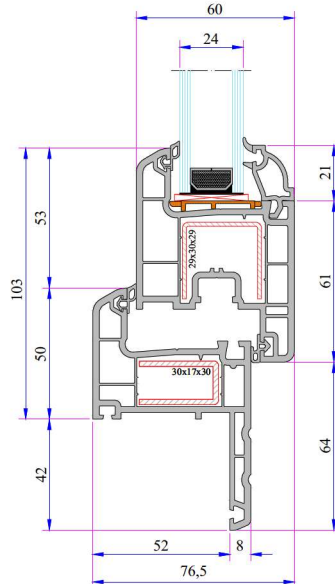
W 632 Installation



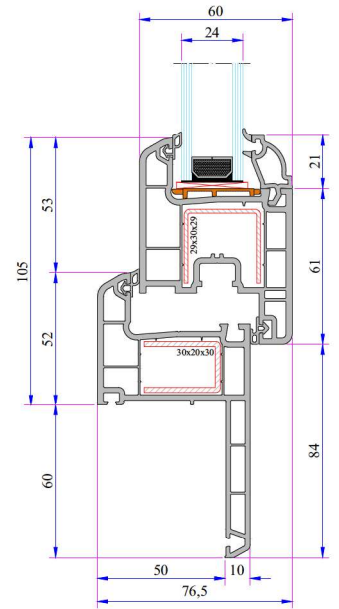
Frame - Sash Installation



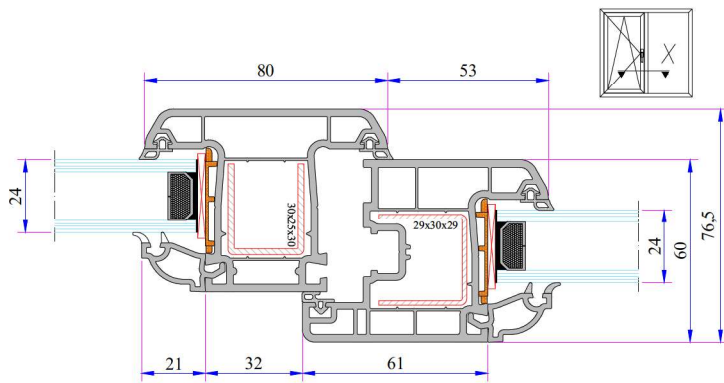
Frame - Offset Type Sash Installation



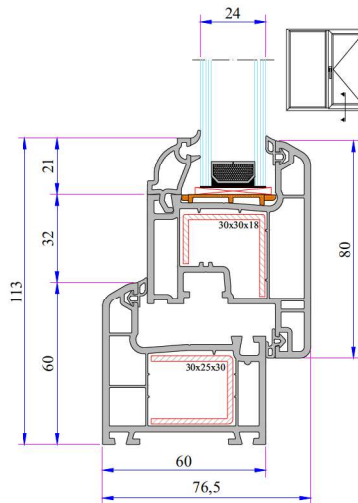
Frame with Sill - Sash Installation



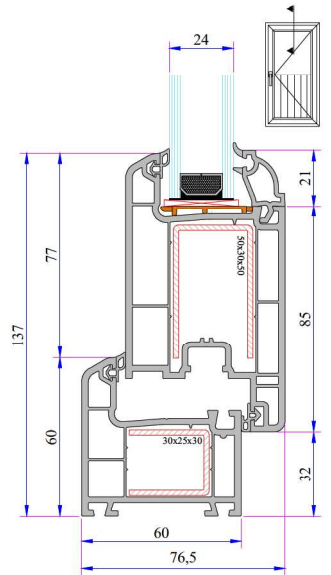
Frame with Sill (60mm) - Sash Installation



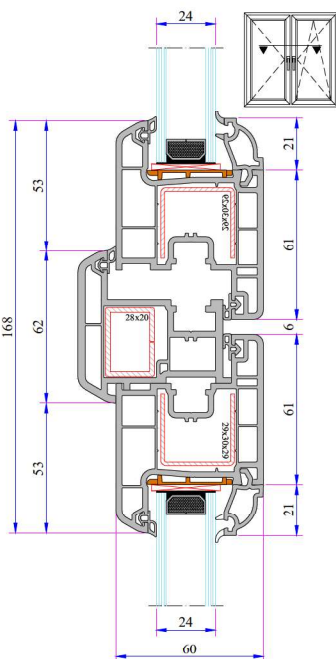
Mullion - Sash Installation



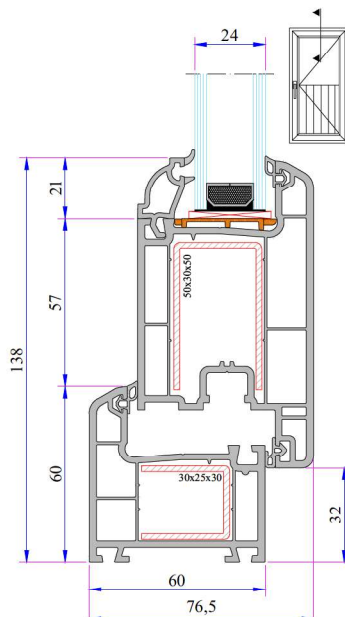
Frame - Outward Opening Sash Installation



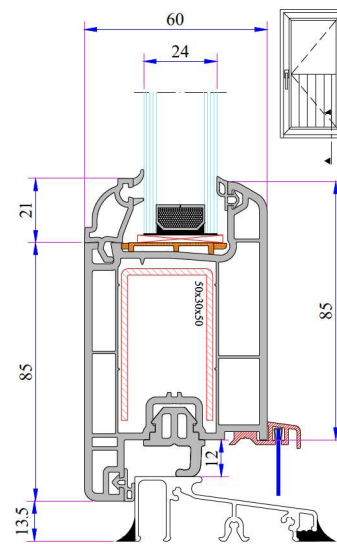
Frame - Door Sash Installation



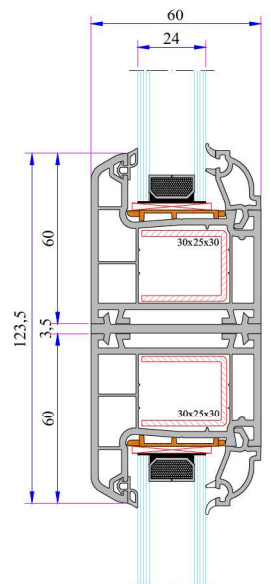
Sash - Lap Joint - Sash Installation



Frame - Outward Opening Door Sash Installation

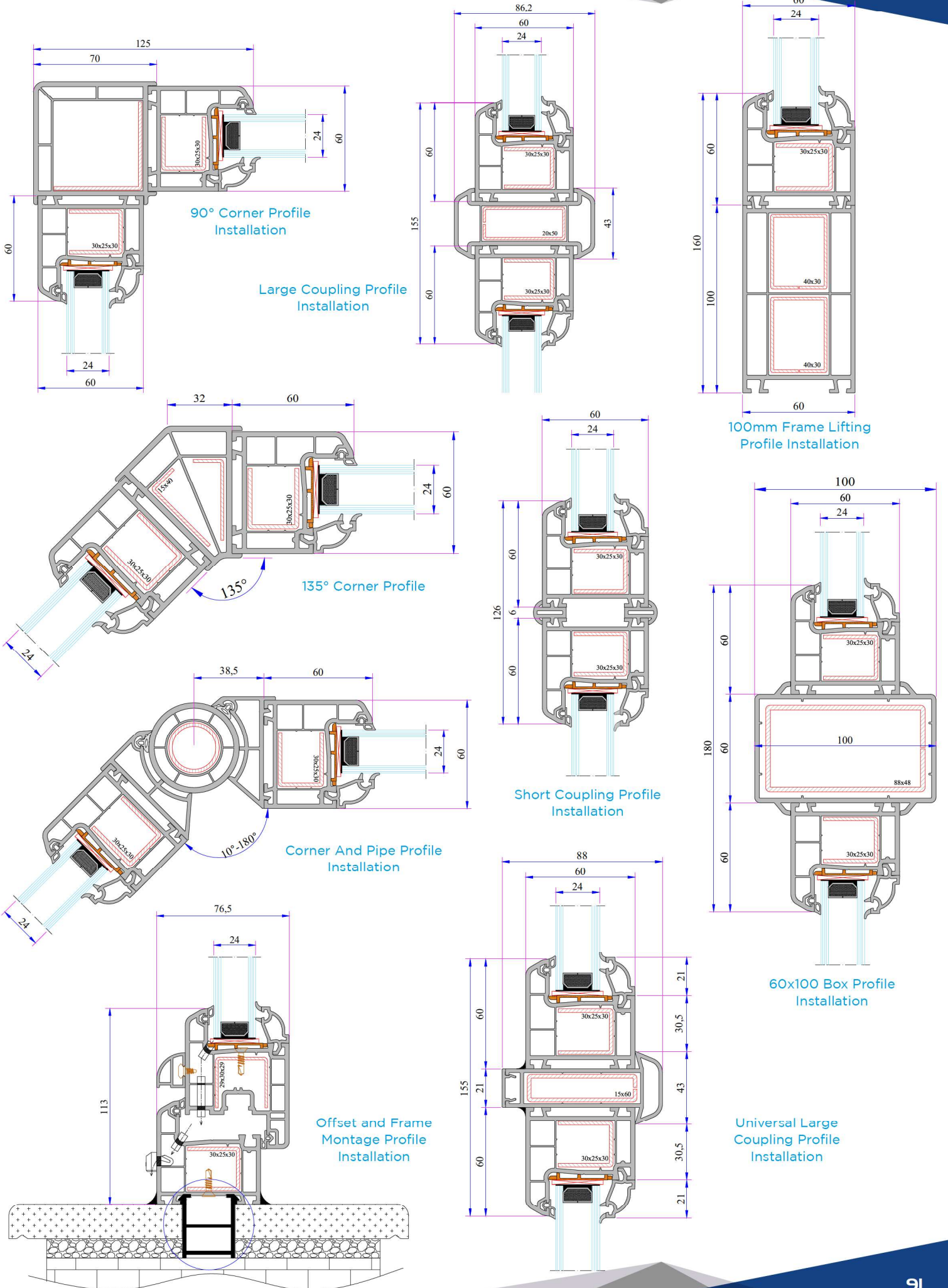


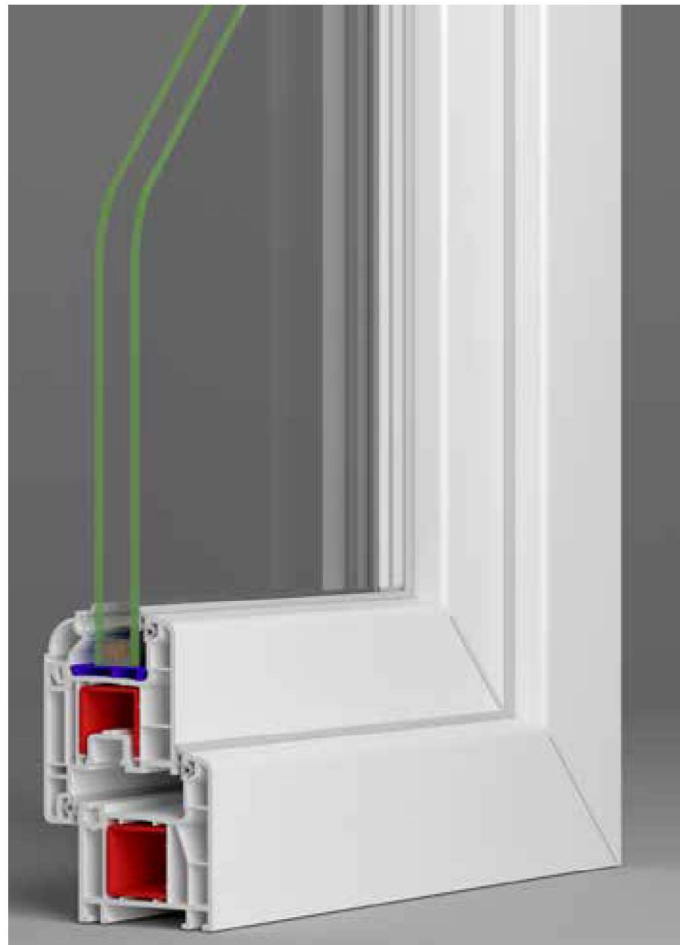
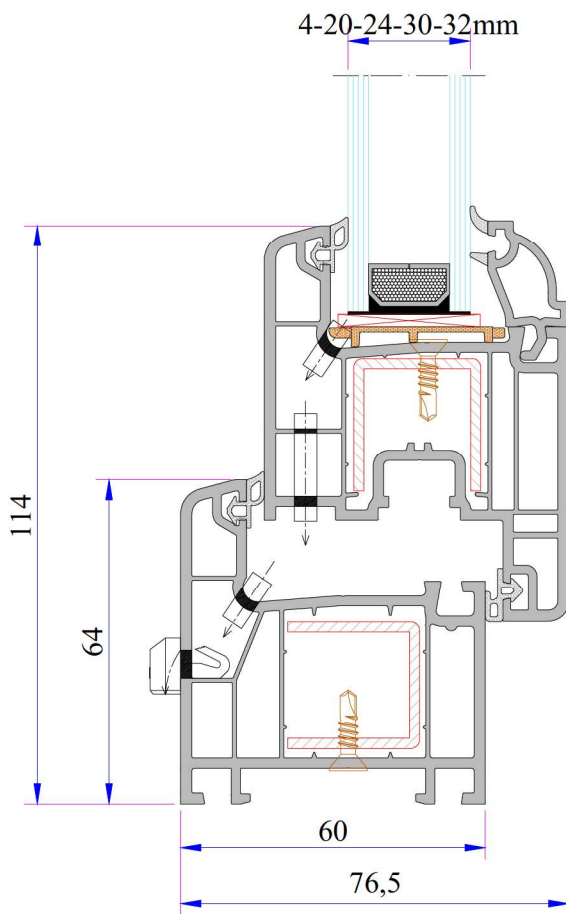
With Aluminium Threshold Frame Door Sash Installation



Narrow Coupling Profile Installation

# W 632 SERIES PVC PROFILE SYSTEM





## TECHNICAL

### W 624 SERIES

**Profile Width:** 60 mm

**Number of chambers:** 4

**Profile Class:** C Class (TS EN 12608-1)

**Seal Type:** External / Internal double seal system

**Seal Type and Color:** TPE - Grey /Black

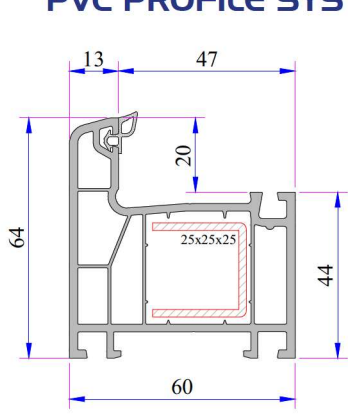
**Glass Thickness (mm):** 4, 20, 24, 30, 32 mm

**The thermal insulation Uf:** 1,45 W/m<sup>2</sup>K

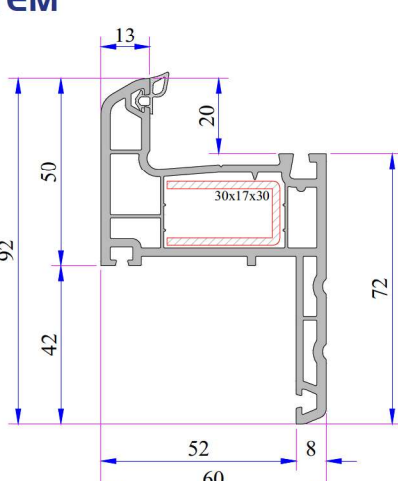
## INSTRUCTION

- The main profile has 60 mm width.
- Because of the elastic grey and black seal which does not leave any stain on profiles will be provided maximum air, water, dust and sound isolation.
- Due to the 4 chambers profiles, it has maximum performance for thermal, sound and water isolation.
- It is a series of profiles with very special design that provides maximum wind resistance on high rise buildings.
- Excluding normal sash profile there is also chance to have a choice for offset type sash profile.
- In addition to white profile a different laminated color range is available.
- 4-5 mm single glazing application of 20, 24, 30, 32 mm glazing beads give us alternatives of using double, triple glazing and panels.

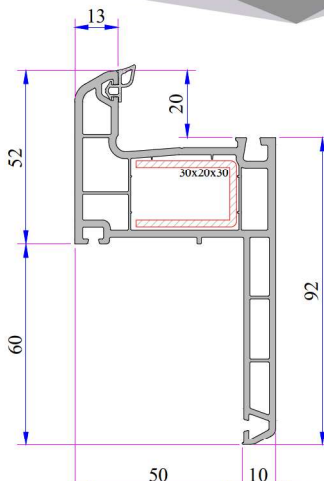
# W 624 SERIES PVC PROFILE SYSTEM



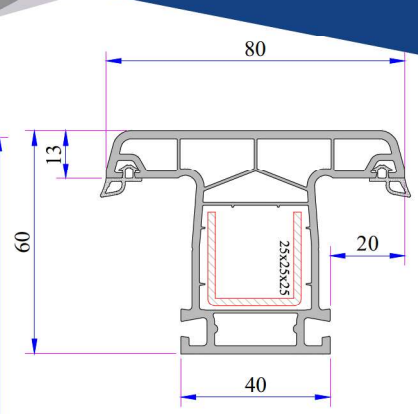
**Frame Profile**  
Code:  
P.A.624.1000.6000.BC.03



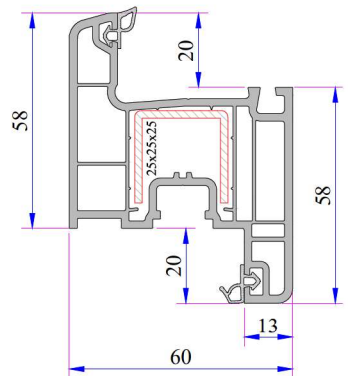
**Frame Profile with Sill**  
Code:  
P.A.632.1200.600.0.BC.03



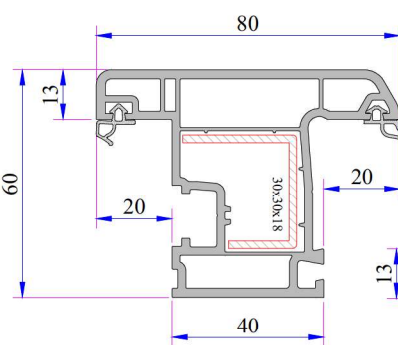
**Frame Profile With Sill 60mm**  
Code:  
P.A.632.1207.600.0.BC.03



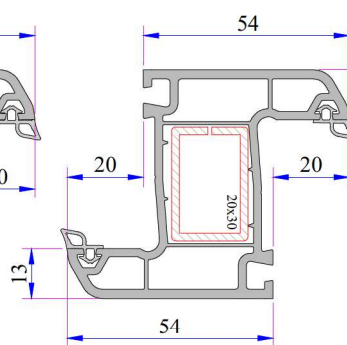
**Mullion Profile**  
Code:  
P.A.624.3000.600.0.BC.03



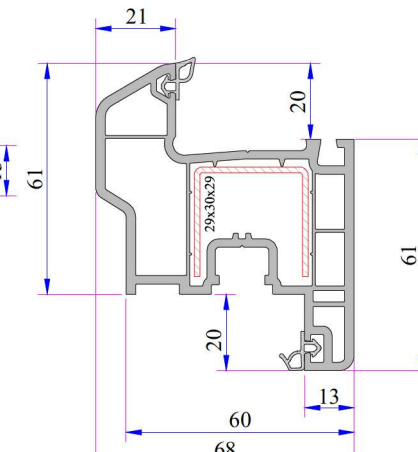
**Sash Profile**  
Code:  
P.A.624.2000.600.0.BC.03



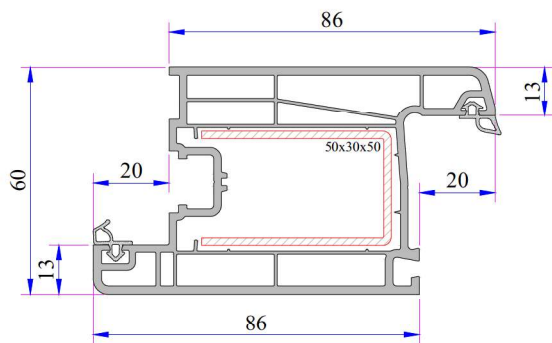
**Outward Opening Sash Profile**  
Code:  
P.A.632.2014.600.0.BC.03



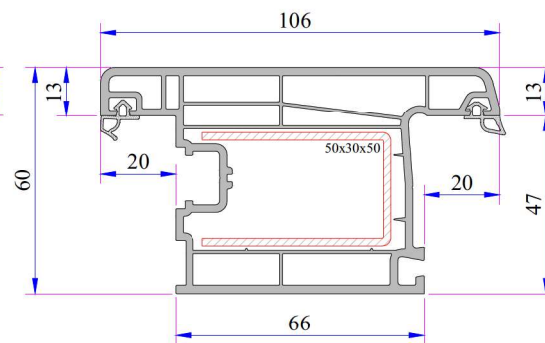
**Outward Opening Mullion Profile**  
Code:  
P.A.632.3005.600.0.BC.03



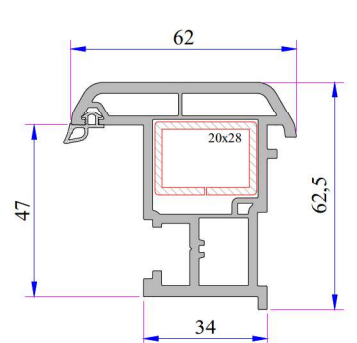
**Offset Type Sash Profile**  
Code:  
P.A.632.2200.600.0.BC.03



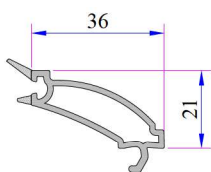
**Door Sash Profile**  
Code: P.A.624.2100.600.0.BC.03



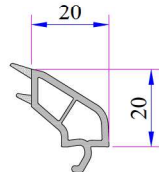
**Outward Opening Door Sash Profile**  
Code: P.A.624.2101.600.0.BC.03



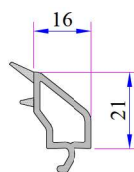
**Lap Joint Profile**  
Code:  
P.A.632.3100.600.0.BC.19



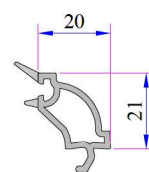
**Single Glazing Bead 4-6 mm**  
Code:  
P.A.101.4002.600.0.HC



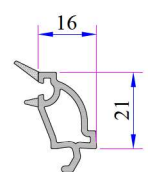
**Double Glazing Bead 20 mm**  
Code:  
P.A.101.4100.600.0.HC



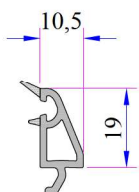
**Double Glazing Bead 24 mm**  
Code:  
P.A.750.4500.600.0.HC  
(White)



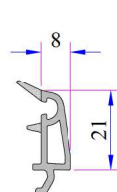
**Double Glazing Bead 20 mm**  
Code:  
P.A.101.4102.600.0.HC



**Double Glazing Bead 24 mm**  
Code:  
P.A.101.4202.600.0.HC

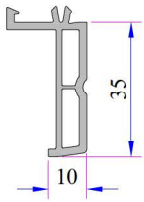


**Triple Glazing Bead 30 mm**  
Code: P.A.332.4100.600.0.HC

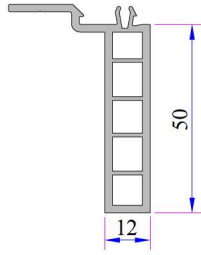


**Triple Glazing Bead 30 mm**  
Code: P.A.101.4500.600.0.HC

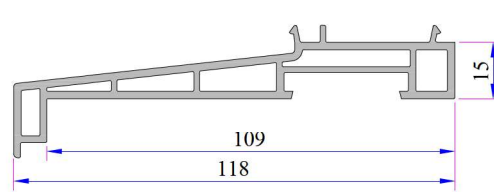
# W 624 SERIES PVC PROFILE SYSTEM



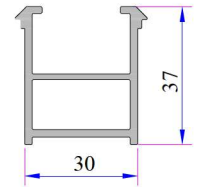
**Frame Sill Profile (35mm)**  
Code: P.A.099.5523.600



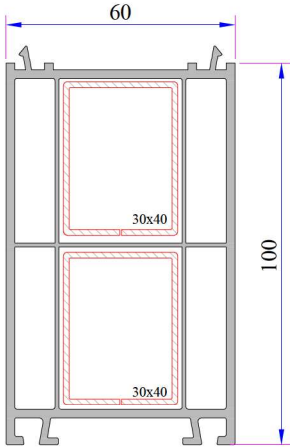
**Frame Sill Profile (50mm)**  
Code: P.A.099.5524.600



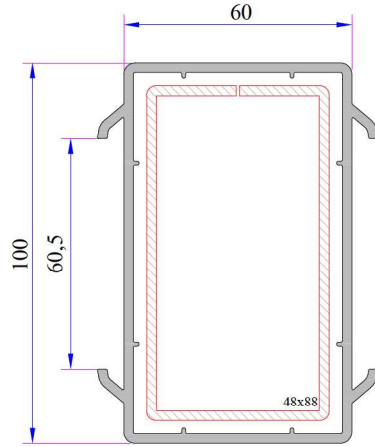
**Sill Profile**  
Code:  
P.A.058.5504.600.0.00.19



**Frame Montage Profile**  
Code:  
P.A.060.5301.600.0.00.19



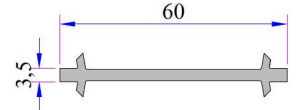
**60x100 Frame Lifting Profile**  
Code:  
P.A.900.5303.600.0.00.19



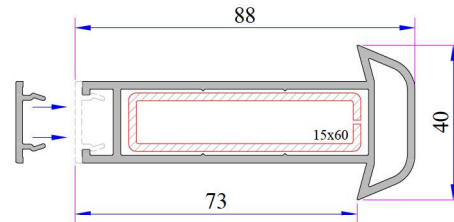
**60x100 Spiked Box Profile**  
Code:  
P.A.060.5203.600.0.00.19



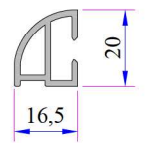
**Universal Large Coupling Cover Profile**  
Code:  
P.A.058.5707.600.0.00.19



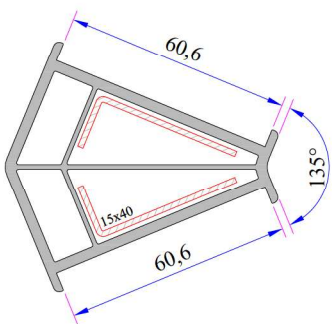
**Narrow Coupling Profile**  
Code: P.A.060.5001.600



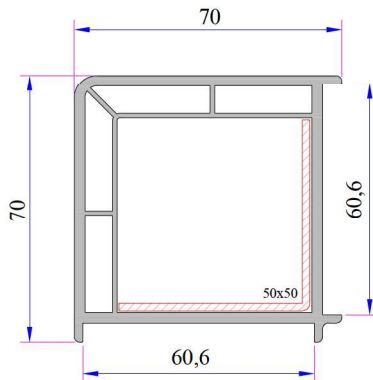
**Universal Large Coupling Profile**  
Code: P.A.058.5000.600.0.00.19



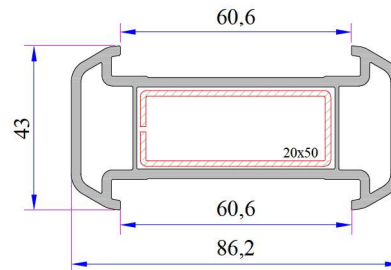
**Offset Profile**  
Code:  
P.A.900.6307.600



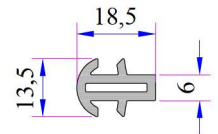
**135° Corner Profile**  
Code:  
P.A.060.5102.600.0.00.19



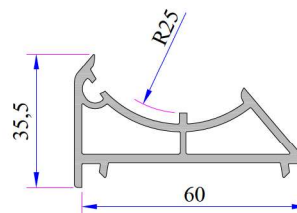
**90° Corner Profile**  
Code:  
P.A.060.5100.600.0.00.19



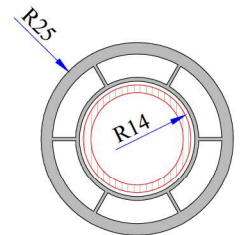
**Large Coupling Profile**  
Code: P.A.060.5000.600.0.00.19



**Short Coupling Profile**  
Code:  
P.A.099.5003.600

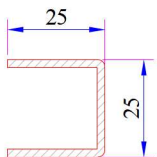


**Corner Lag Profile**  
Code: P.A.060.5104.600.0.00.19

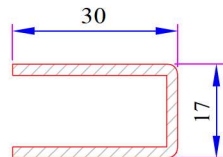


**Pipe Profile**  
Code: P.A.050.5106.600

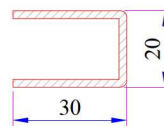
## W 624 Re-Inforcement Profiles



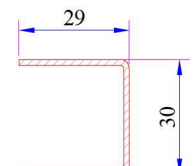
**Frame - Mullion - Sash - Profile Reinforcement**  
Code: 34022-12003



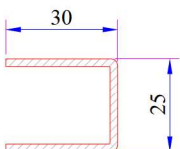
**Frame Profile with Sill Reinforcement**  
Code: 34022-12032



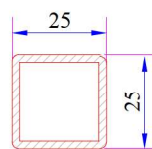
**Frame Profile with Sill 60mm Reinforcement**  
Code: 34022-12006



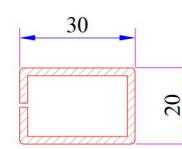
**Offset Type Sash Profile Reinforcement**  
Code: 34022-12002



**Mullion Profile Reinforcement**  
Code: 34022-12004

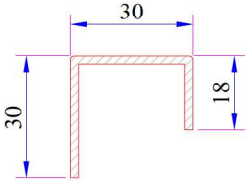


**Mullion Profile Static Reinforcement**  
Code: 34022-12122

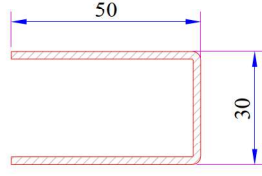


**Outward Opening Mullion Profile Reinforcement**  
Code: 34022-12109

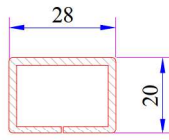
# W 624 SERIES PVC PROFILE SYSTEM



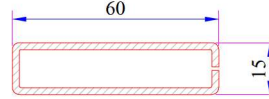
22 Axis. Outward Opening Sash Profile Reinforcement  
Code: 34022-12022



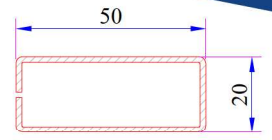
Door Sash - Outward Opening Door Sash Profile Reinforcement  
Code: 34022-12013



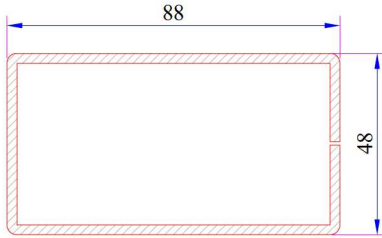
Lap Joint Profile Reinforcement  
Code: 34022-12118



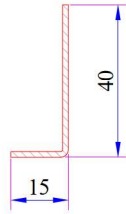
Universal Large Coupling Profile Reinforcement  
Code: 34022-12123



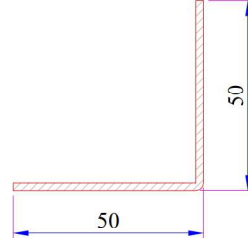
Large Couple Profile Reinforcement  
Code: 34022-12105



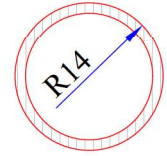
60x100 mm Box Profile Reinforcement  
Code: 34022-12102



135° Corner Profile Reinforcement  
Code: 34022-12301



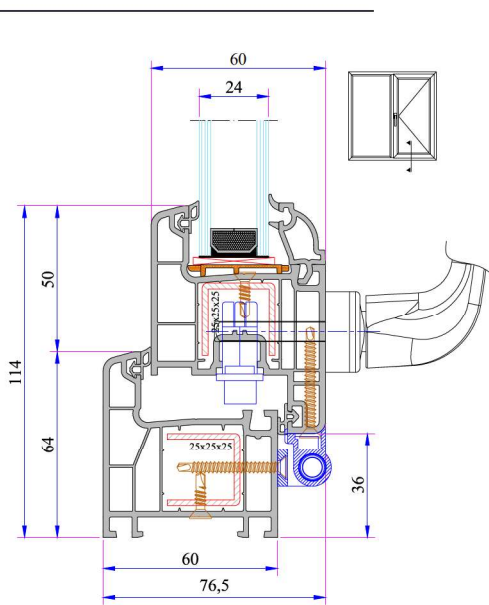
90° Corner Profile Reinforcement  
Code: 34022-12302



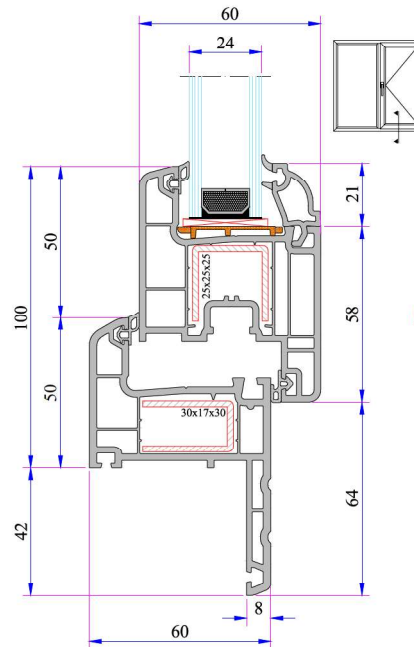
Pipe Profile Reinforcement  
Code: 34022-12503

## W 624 Installation

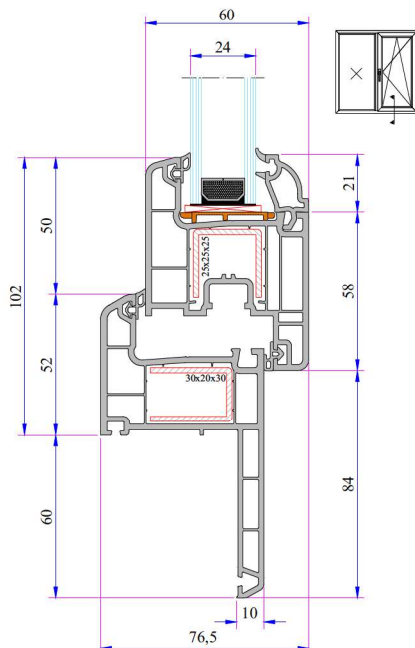
Frame - Sash Installation



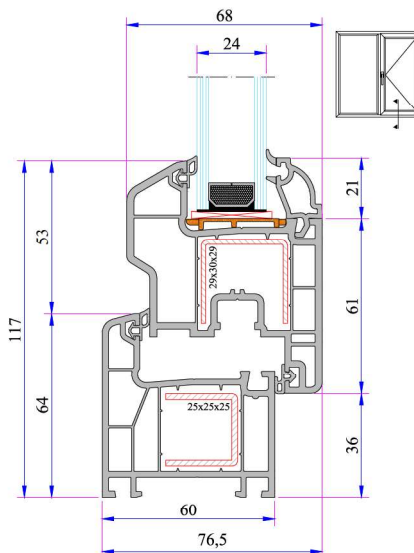
Frame with Sill - Sash Installation

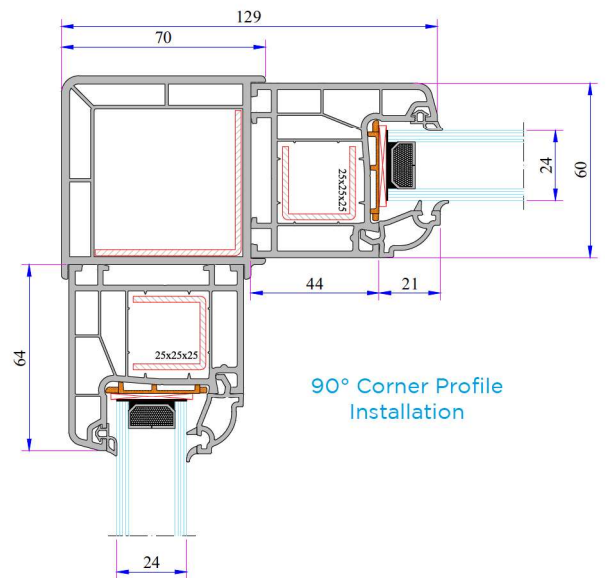
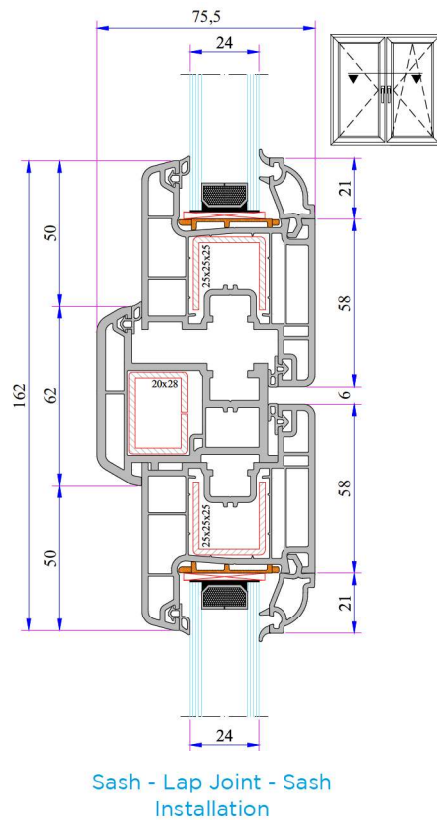
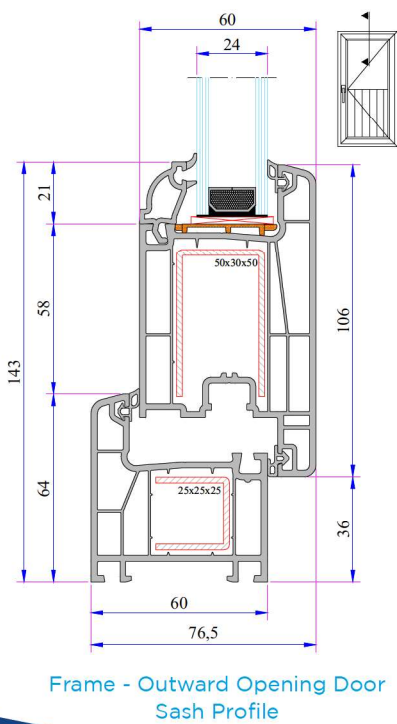
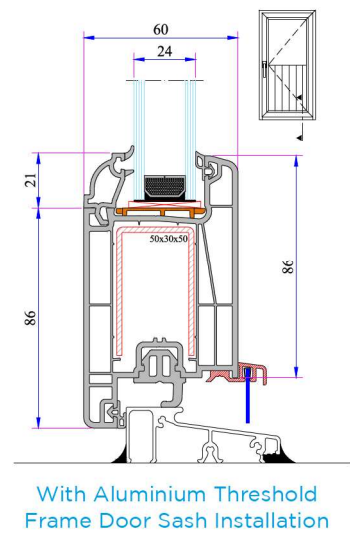
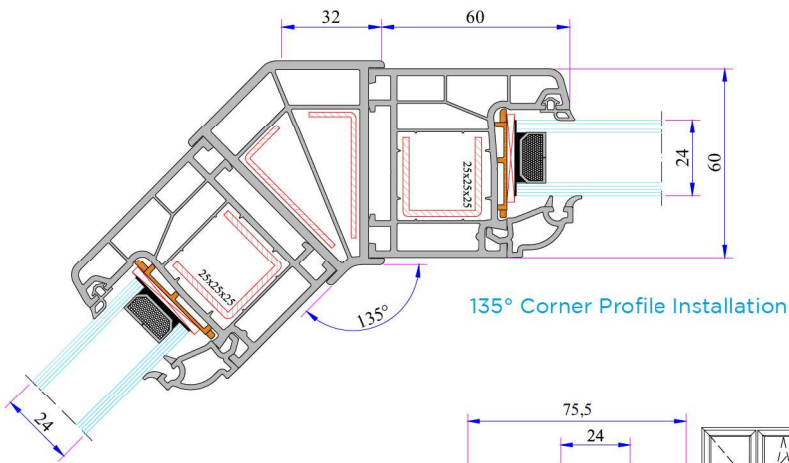
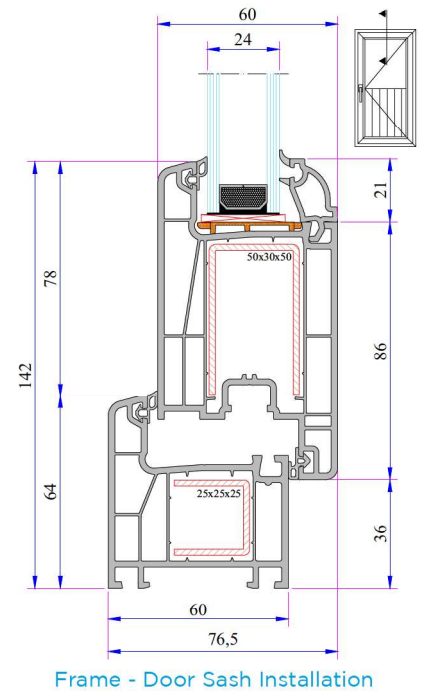
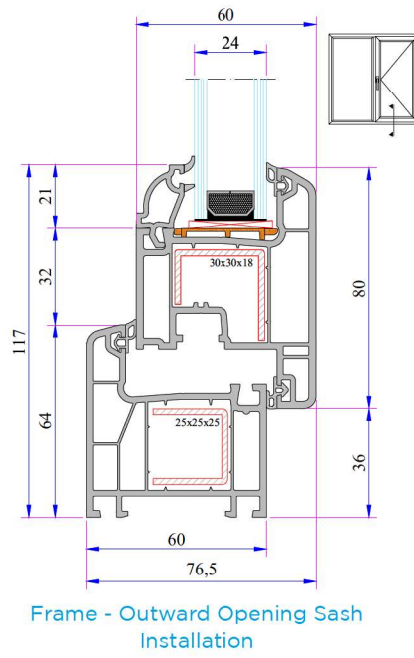
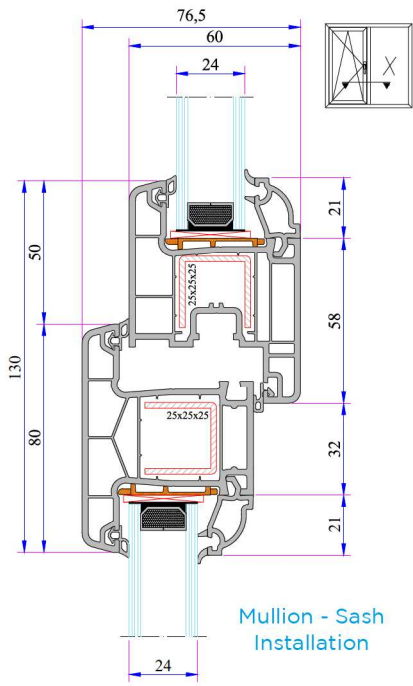


Frame with Sill (60mm) - Sash Installation



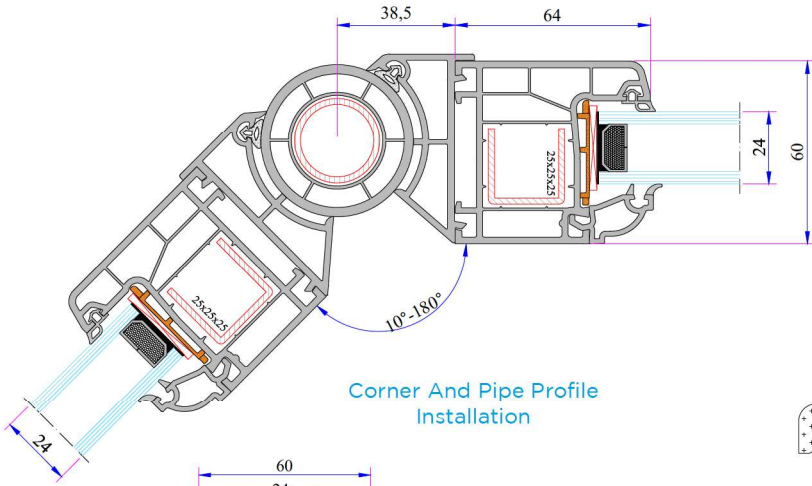
Frame - Offset Type Sash Installation



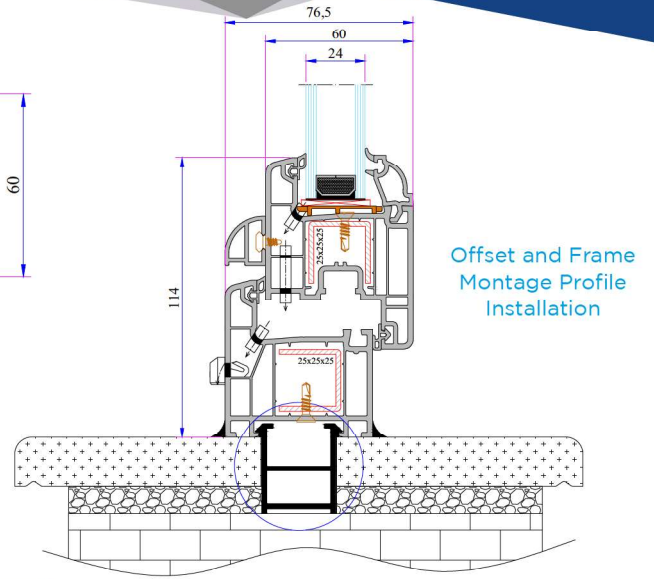




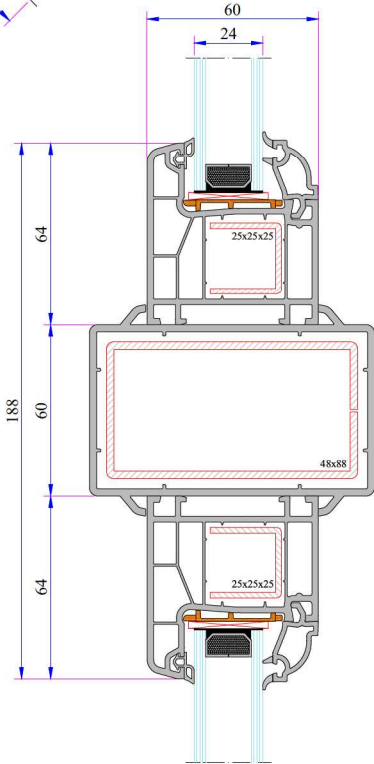
**W 624 SERIES  
PVC PROFILE SYSTEM**



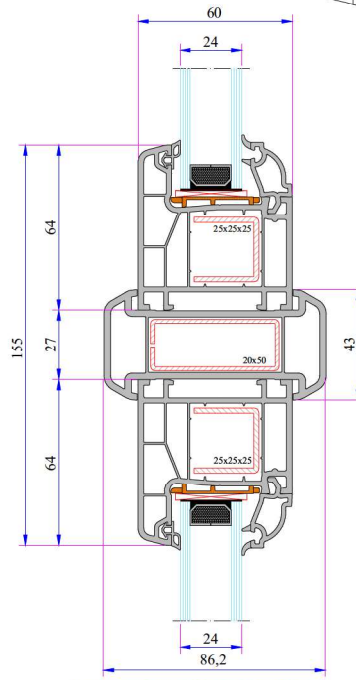
Corner And Pipe Profile Installation



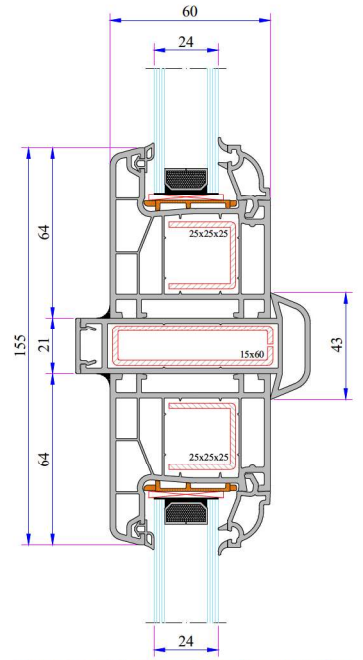
Offset and Frame Montage Profile Installation



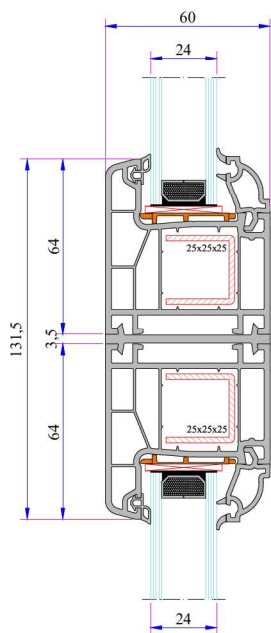
60x100 Box Profile Installation



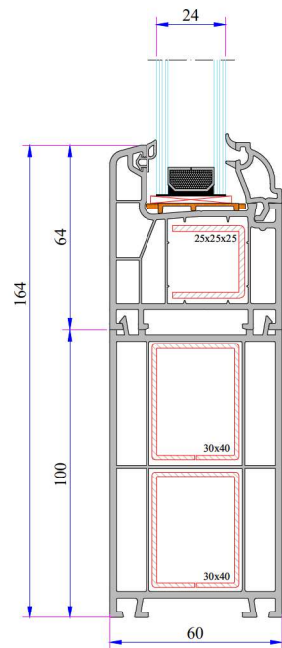
Large Coupling Profile Installation



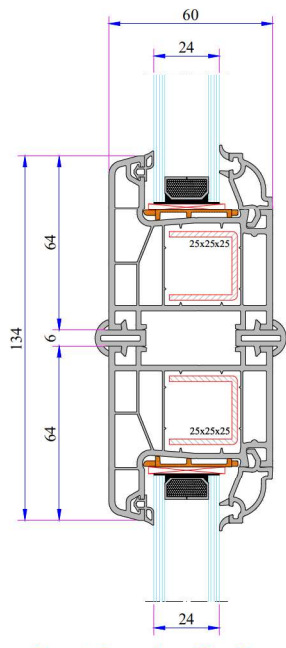
Universal Large Coupling Profile Installation



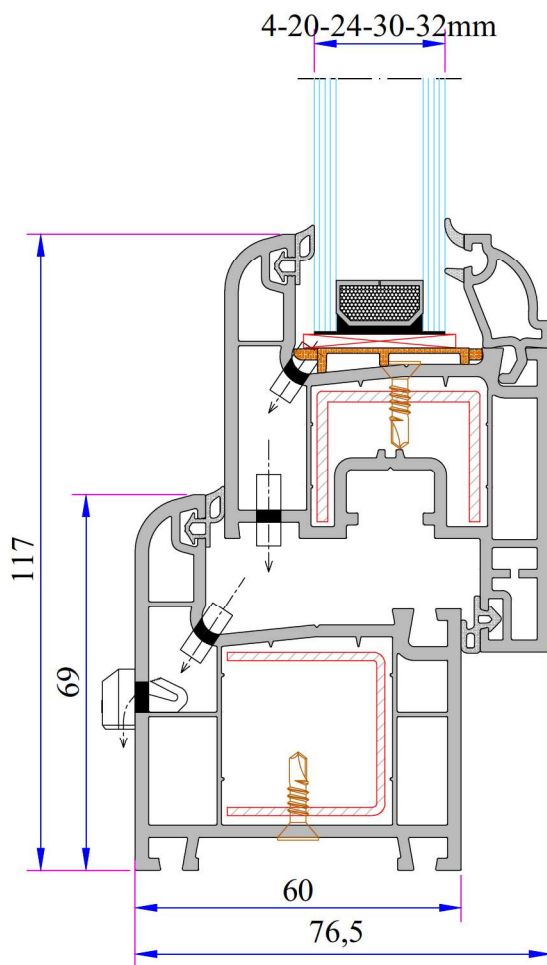
Narrow Coupling Profile Installation



100mm Frame Lifting Profile Installation



Short Coupling Profile Installation



## TECHNICAL

### WO 60 SERIES (101 SERIES)

**Profile Width:** 60 mm

**Number of chambers:** 3

**Profile Class:** B Class (TS EN 12608-1)

**Seal Type:** External / Internal double seal system

**Seal Type and Color:** TPE - Grey /Black

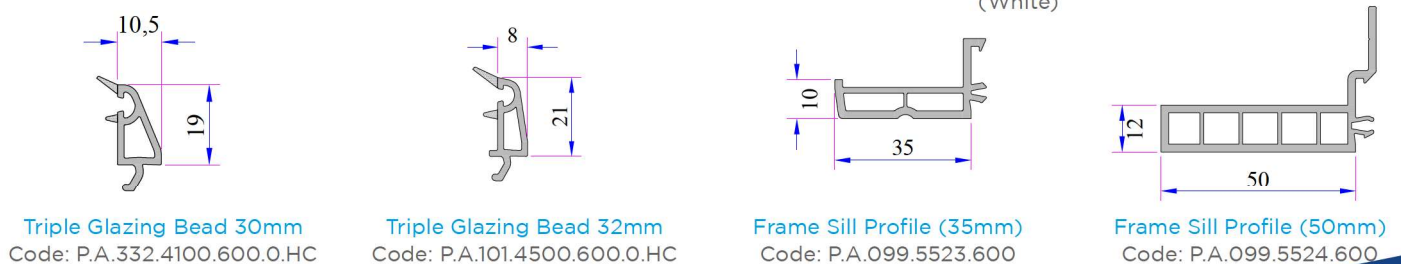
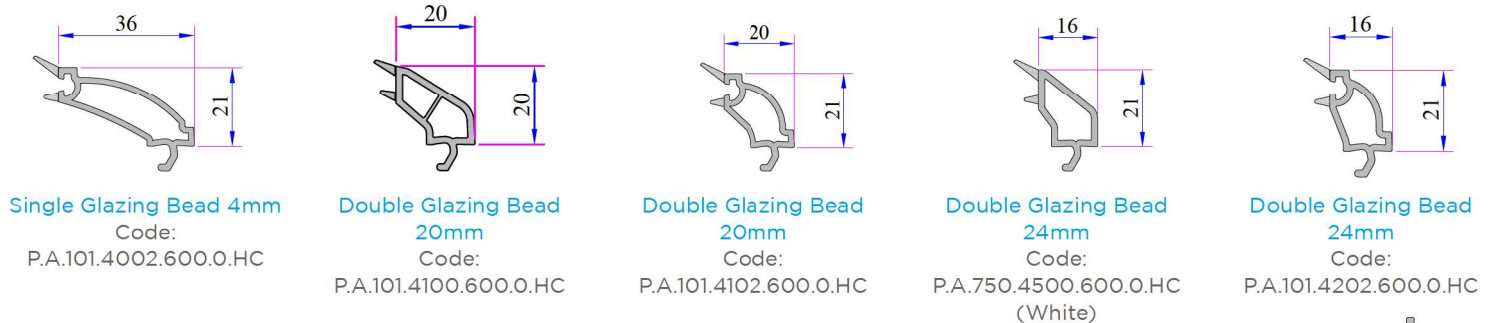
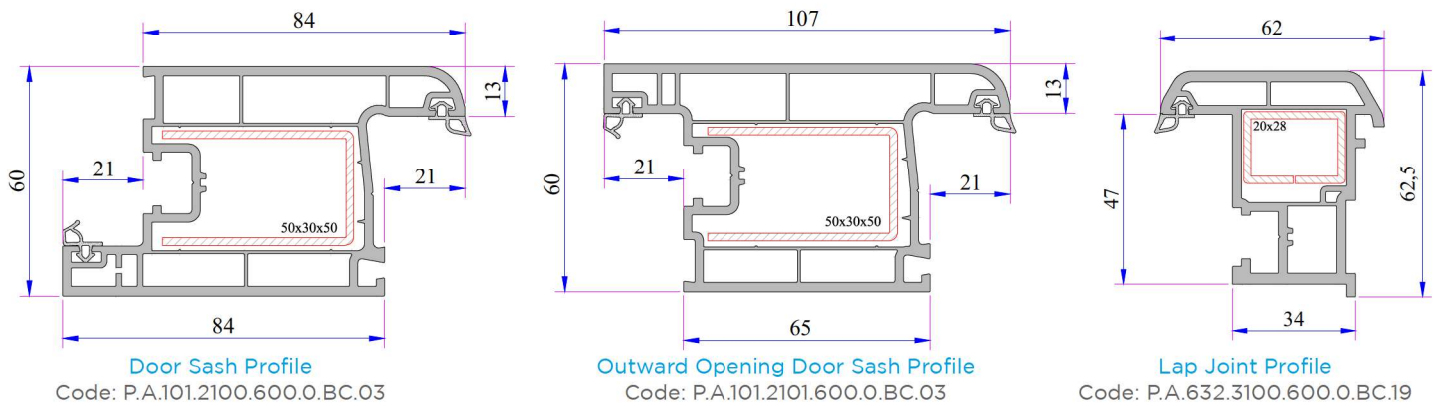
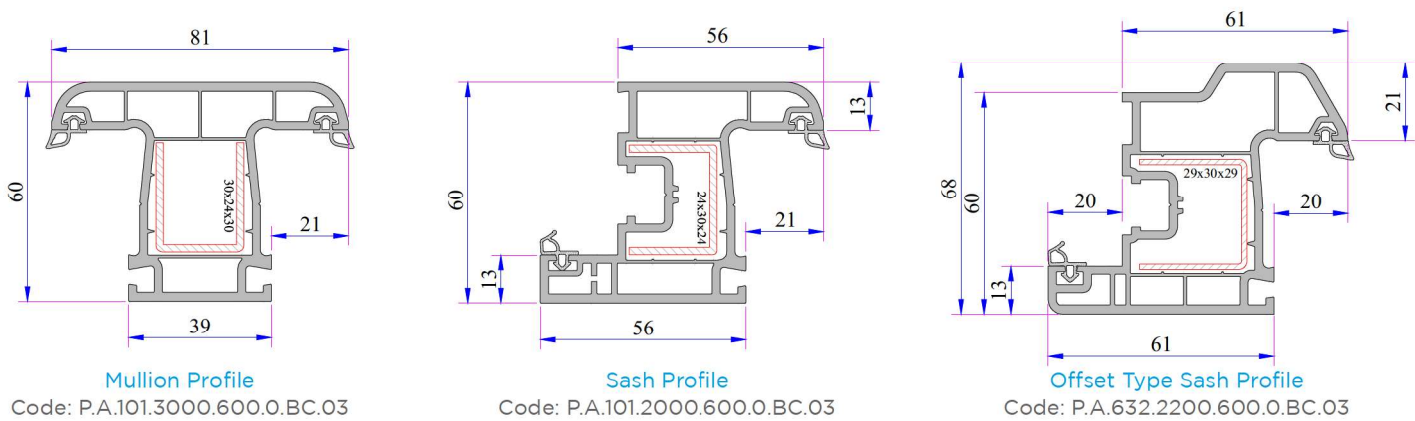
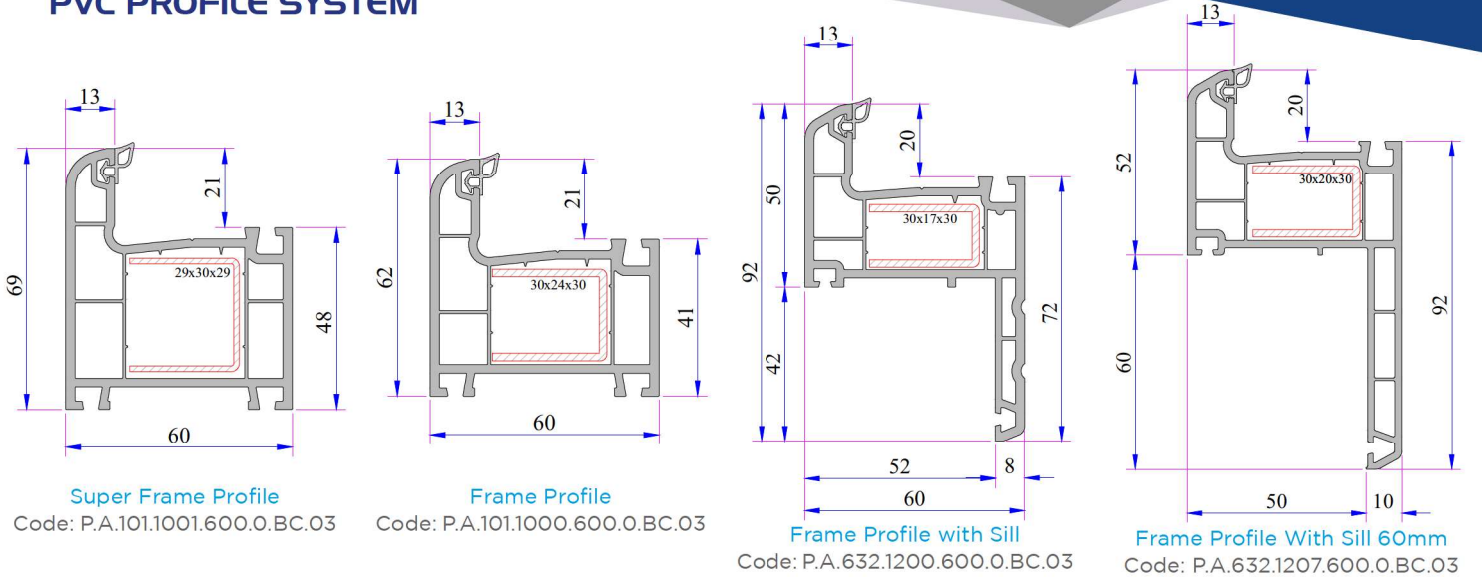
**Glass Thickness (mm):** 4, 20, 24, 30, 32 mm

**The thermal insulation Uf:** 1,56 W/m<sup>2</sup>K

## INSTRUCTION

- The main profile has 60 mm width.
- Because of the elastic grey and black seal which does not leave any stain on profiles will be provided maximum air, water, dust and sound isolation.
- Due to the 3 chambers profiles, it has maximum performance for thermal, sound and water isolation.
- It is a series of profiles with very special design that provides maximum wind resistance on high rise buildings.
- Excluding normal sash profile there is also chance to have a choice for offset type sash profile.
- In addition to white profile a different laminated color range is available.
- 4-5 mm single glazing application of 20, 24, 30, 32 mm glazing beads give us alternatives of using double, triple glazing and panels.

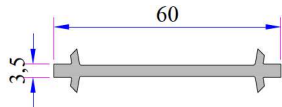
# WO 60 SERIES PVC PROFILE SYSTEM



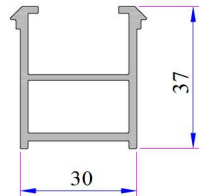
# WO 60 SERIES PVC PROFILE SYSTEM



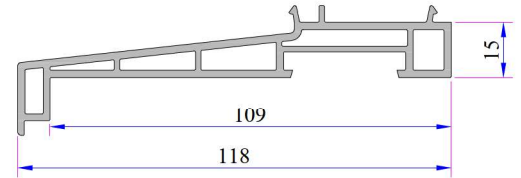
**Universal Large Coupling Cover Profile**  
Code: P.A.058.5707.600.0.00.19



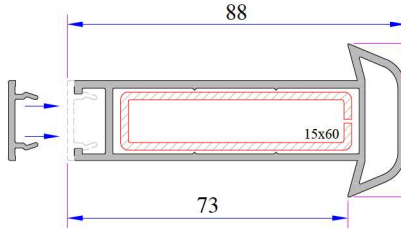
**Narrow Coupling Profile**  
Code: P.A.060.5001.600



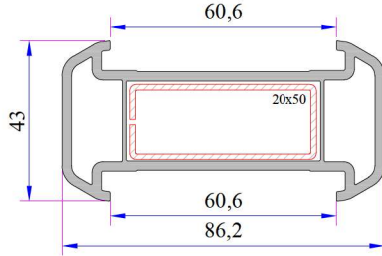
**Frame Montage Profile**  
Code: P.A.060.5301.600.0.00.19



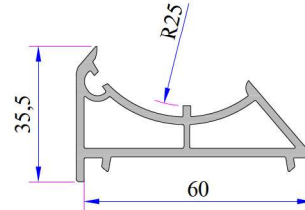
**Sill Profile**  
Code: P.A.058.5504.600.0.00.19



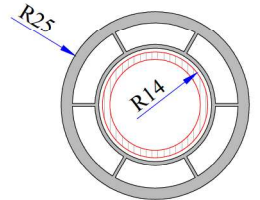
**Universal Large Coupling Profile**  
Code: P.A.058.5000.600.0.00.19



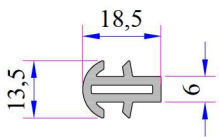
**Large Coupling Profile**  
Code: P.A.060.5000.600.0.00.19



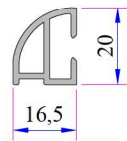
**Corner Lag Profile**  
Code: P.A.060.5104.600.0.00.19



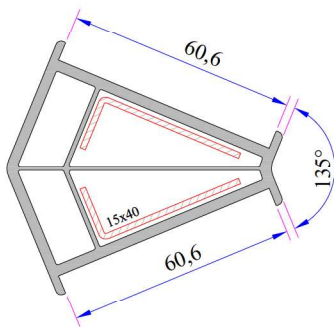
**Pipe Profile**  
Code: P.A.050.5106.600



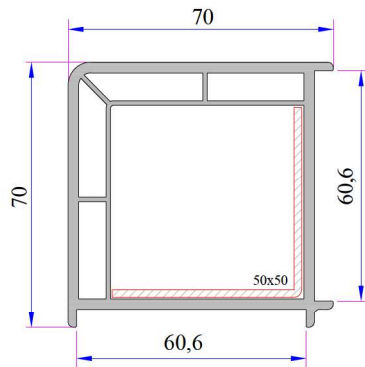
**Short Coupling Profile**  
Code: P.A.099.5003.600



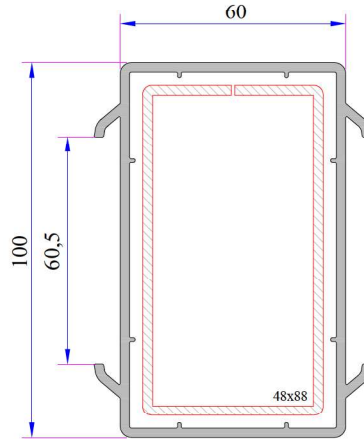
**Offset Profile**  
Code: P.A.900.6307.600



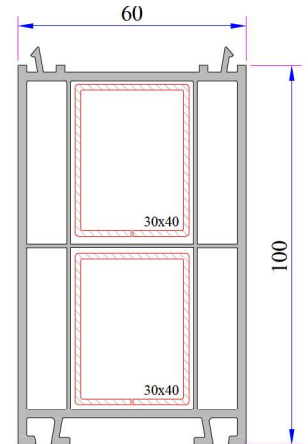
**135° Corner Profile**  
Code: P.A.060.5102.600.0.00.19



**90° Corner Profile**  
Code: P.A.060.5100.600.0.00.19

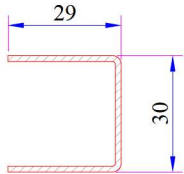


**60x100 Box Profile**  
Code: P.A.060.5203.600.0.00.19

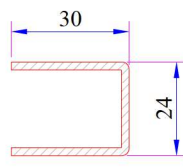


**60x100 Frame Lifting Profile**  
Code: P.A.900.5303.600.0.00.19

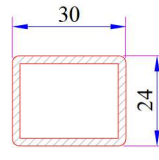
## WO 60 Re-Inforcement Profiles



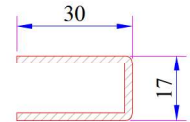
**Super Frame - Offset Type Sash Profile Reinforcement**  
Code: 34022-12002



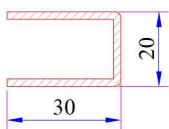
**Frame - Mullion Profile Reinforcement**  
Code: 34022-12004



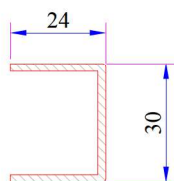
**Mullion Profile Static Reinforcement**  
Code: 34022-12119



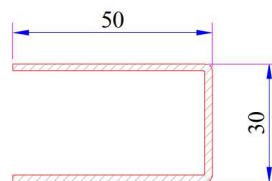
**Frame Profile with Sill Reinforcement**  
Code: 34022-12032



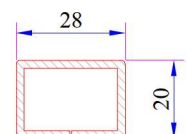
**Frame Profile with Sill 60mm Reinforcement**  
Code: 34022-12006



**Sash Profile Reinforcement**  
Code: 34022-12025

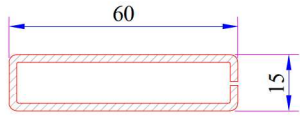


**Door Sash- Outward Opening Door Sash Profile Reinforcement**  
Code: 34022-12013

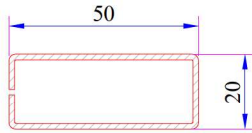


**Lap Joint Profile Reinforcement**  
Code: 34022-12118

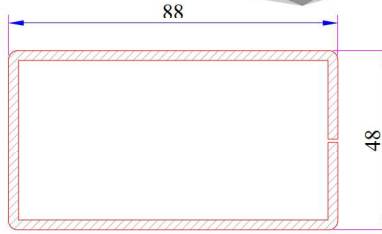
# WO 60 SERIES PVC PROFILE SYSTEM



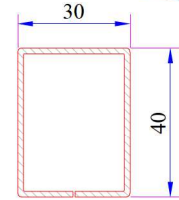
Universal Large Coupling Profile Reinforcement  
Code: 34022-12123



Large Couple Profile Reinforcement  
Code: 34022-12105

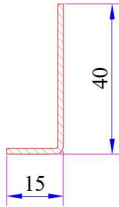


60x100 mm Box Profile Reinforcement  
Code: 34022-12102

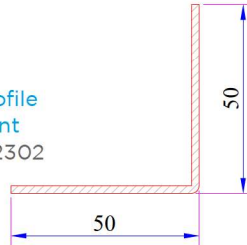


60x100 Frame Lifting Profile Reinforcement  
Code: 34022-12120

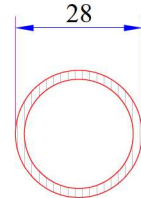
135° Corner Profile Reinforcement  
Code: 34022-12301



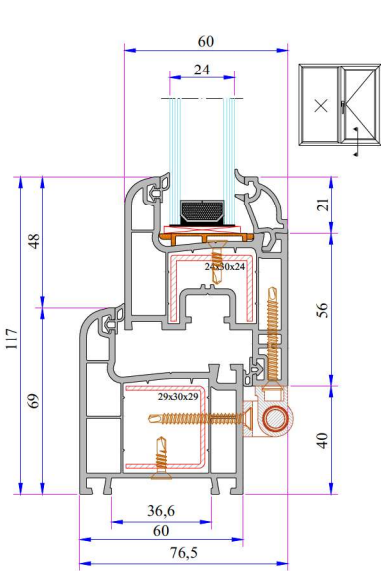
90° Corner Profile Reinforcement  
Code: 34022-12302



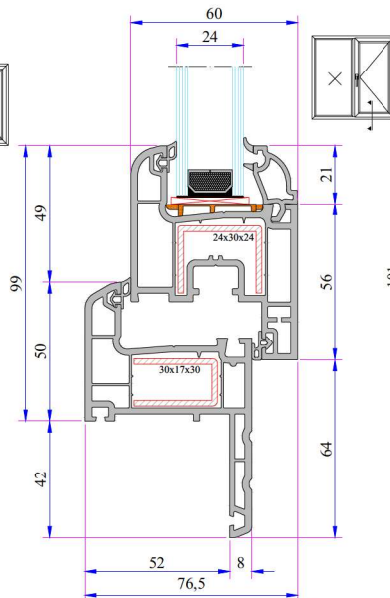
Pipe Profile Reinforcement  
Code: 34022-12503



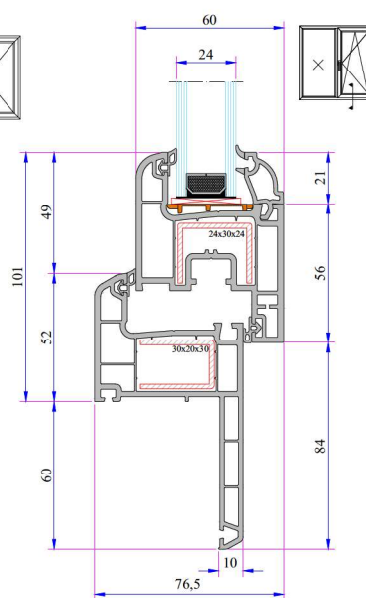
## WO 60 Installation



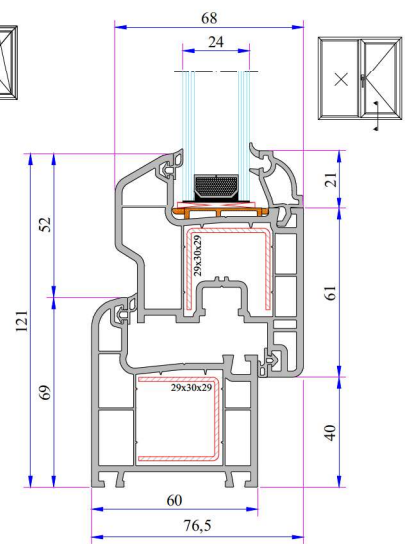
Frame - Sash Installation



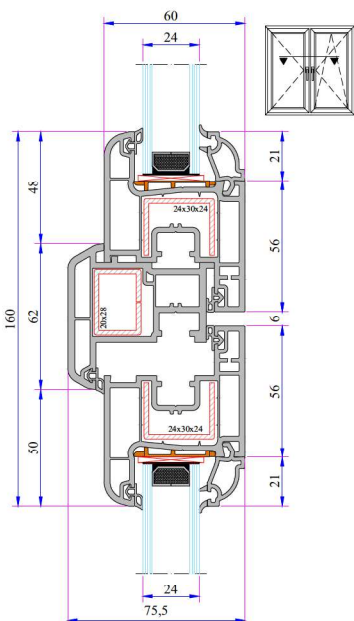
Frame Profile with Sill - Sash Installation



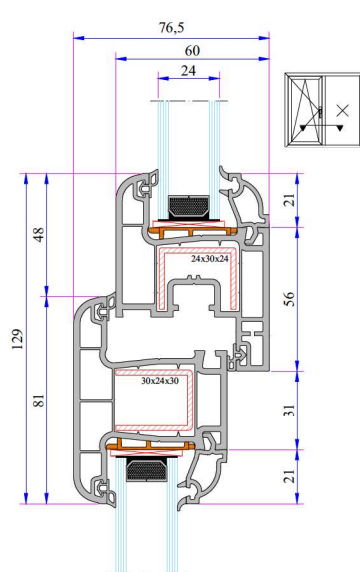
Frame with Sill (60mm) - Sash Installation



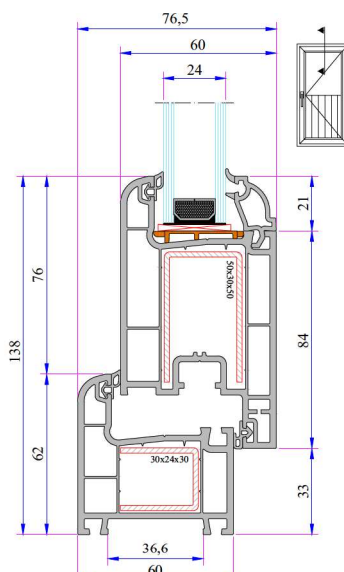
Frame - Offset Type Sash Profile



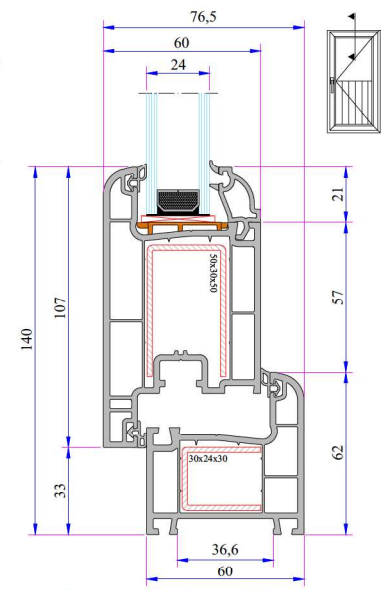
Sash - Lap Joint - Sash Installation



Mullion - Sash Profile Installation

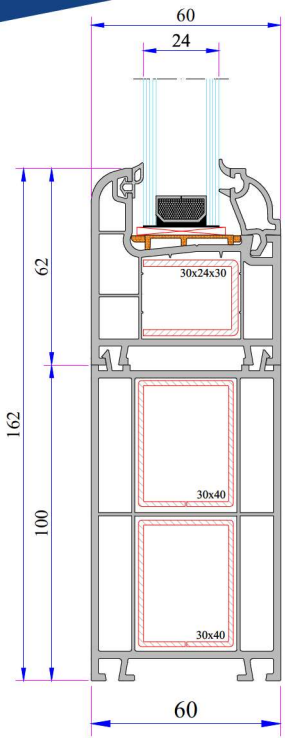


Frame - Door Sash Installation

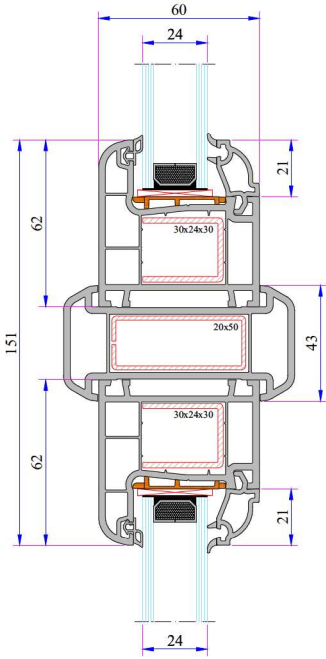


Frame - Outward Opening Door Sash Installation

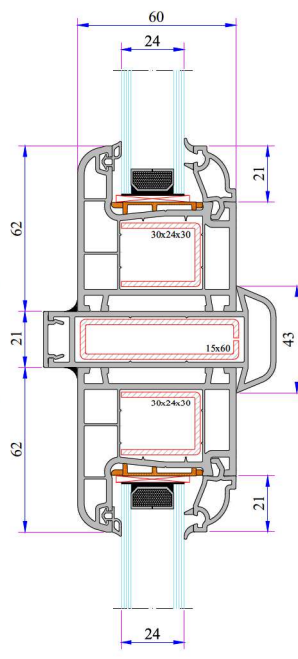
# WO 60 SERIES PVC PROFILE SYSTEM



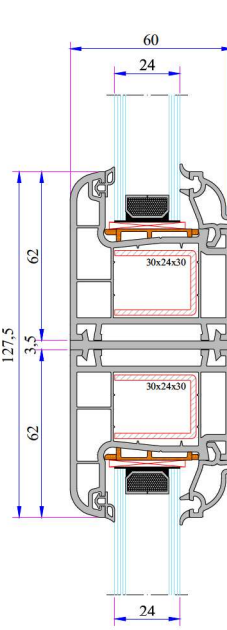
100mm Frame  
Lifting Profile



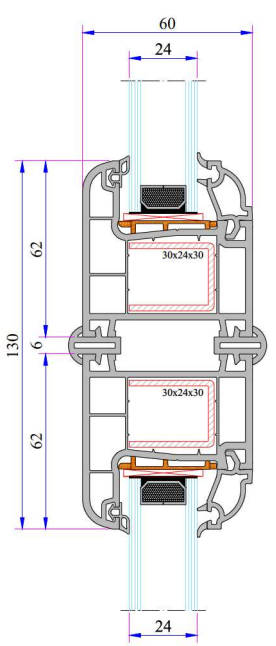
Large Coupling Profile  
Installation



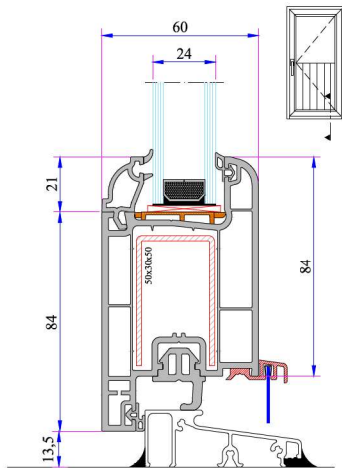
Universal Large Coupling  
Profile Installation



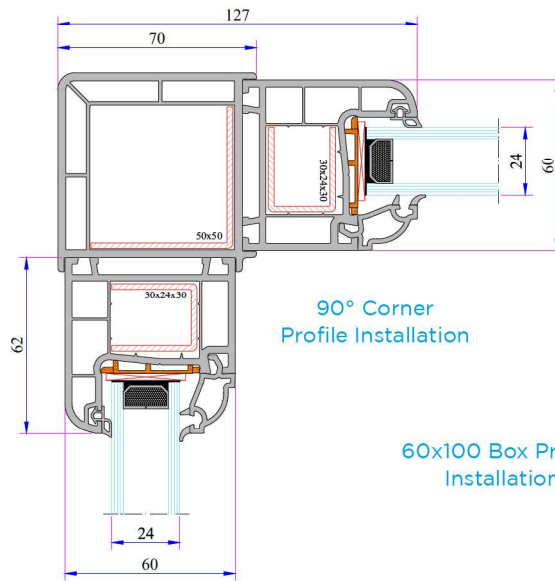
Narrow Coupling  
Profile Installation



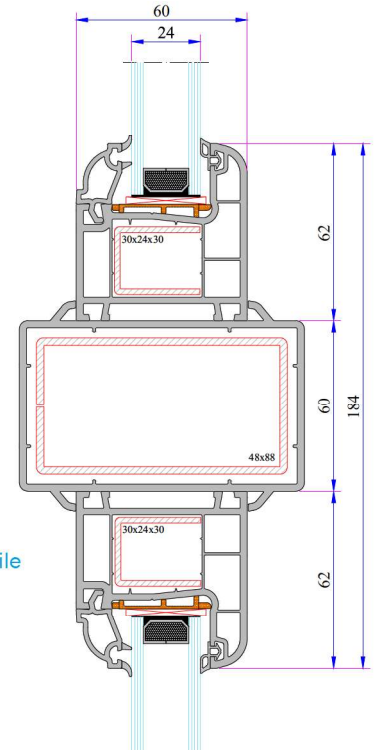
Short Coupling Profile  
Installation



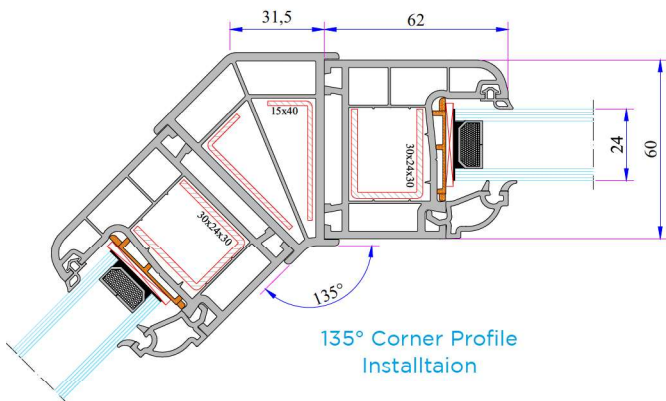
With Aluminium Threshold  
Frame Door Sash  
Installation



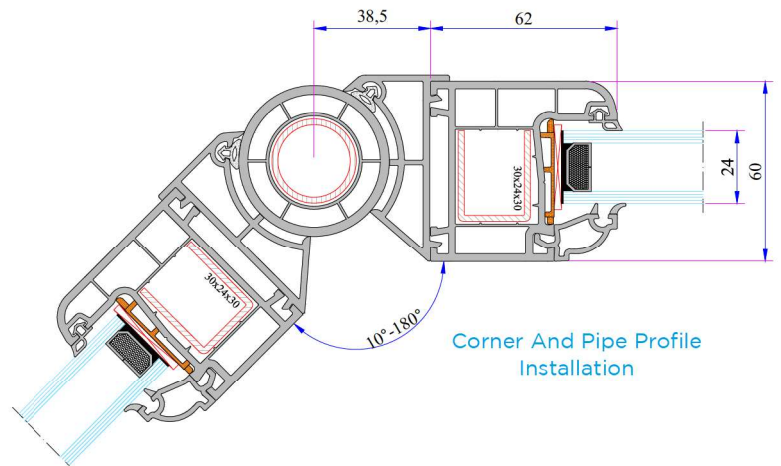
90° Corner  
Profile Installation



60x100 Box Profile  
Installation

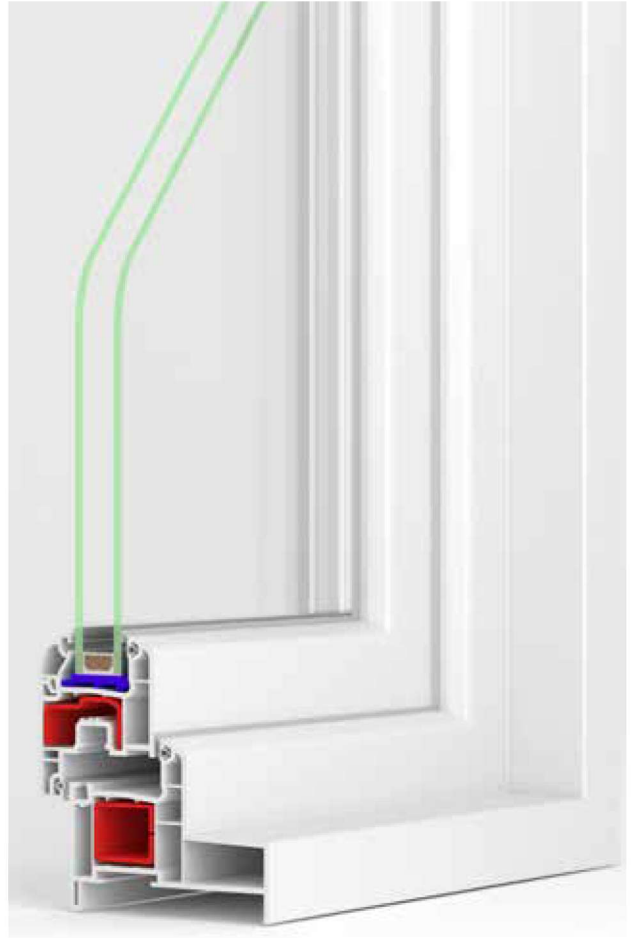
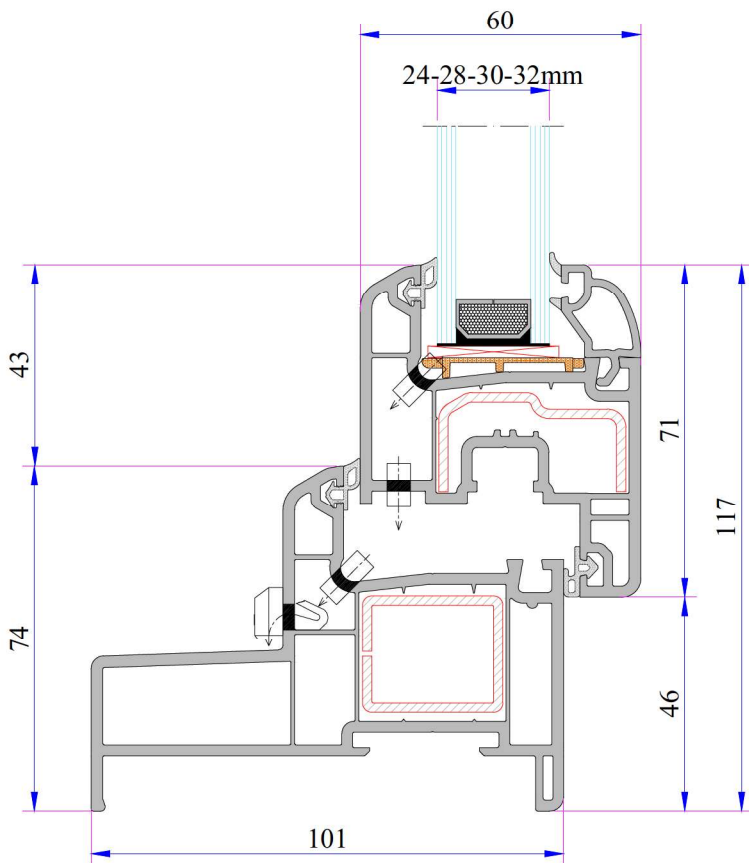


135° Corner Profile  
Installation



Corner and Pipe Profile  
Installation





## TECHNICAL

### W FR 60 SERIES

**Profile Width:** 60 mm

**Number of chambers:** 3

**Profile Class:** B Class (TS EN 12608-1)

**Seal Type:** External / Internal double seal system

**Seal Type and Color:** TPE - Grey /Black

**Glass Thickness (mm):** 24, 28, 30, 32 mm

### W FR 70 SERIES

**Profile Width:** 70 mm

**Number of chambers:** 5

**Profile Class:** B Class (TS EN 12608-1)

**Seal Type:** External / Internal double seal system

**Seal Type and Color:** TPE - Grey /Black

**Glass Thickness (mm):** 24, 28, 30, 32 mm

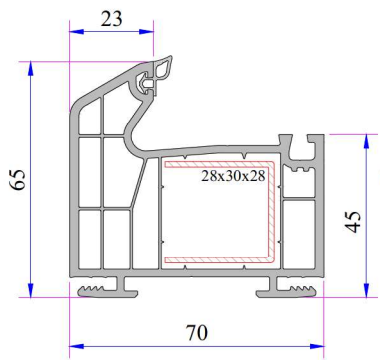
## INSTRUCTION

- The profiles have 60 mm width.
- Because of the elastic grey and black seal which does not leave any stain on profiles will be provided maximum air, water, dust and sound isolation.
- Due to the 3 chambers profiles, it has maximum performance for thermal, sound and water isolation.
- It is a series of profiles with very special design that provides maximum wind resistance on high rise buildings.
- Excluding normal sash profile there is also chance to have a choice for offset type sash profile.
- In addition to white profile a different laminated color range is available.
- Application of 24, 28, 30, 32 mm glazing beads give us alternatives of using double, triple glazing and panels.
- It provides the visual integrity in the inner surface and the frame-wall connections due to integrated frame with sill profile.

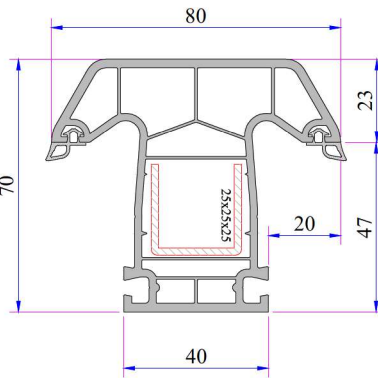


# W FR 60 - 70 SERIES PVC PROFILE SYSTEM

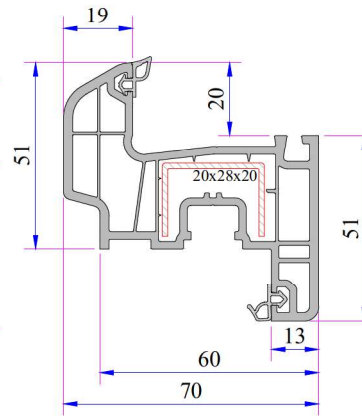
## FR 70 Serie Profiles



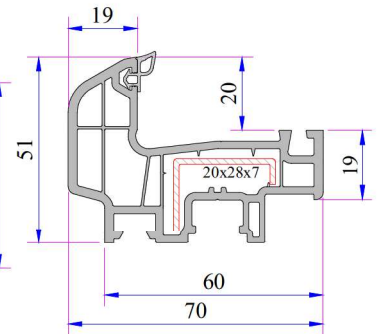
**Dormant de base de 70mm largeur**  
Code: P.A.706.1008.600.0.BC.03



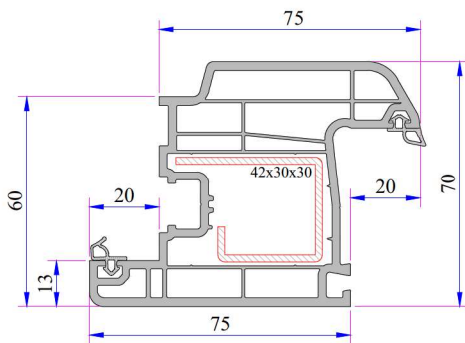
**Traverse**  
Code: P.A.706.3000.600.0.BC.03



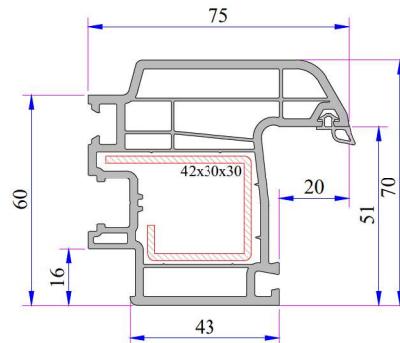
**WF-OU-70L051 Ouvrant de 70 mm pour fenêtre**  
Code: P.A.900.2200.600.0.BC.03



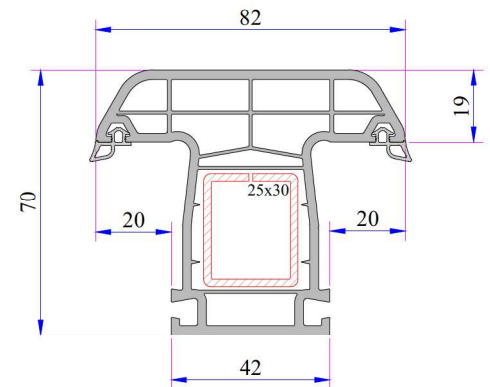
**WF-BA-70L051 Battement intégré de 70 pour ouvrant de fenêtre**  
Code: P.A.900.2202.600.0.BC.03



**WF-OU-70L075**  
Ouvrant de 70mm pour porte fenêtre  
Code: P.A.900.2009.600.0.BC.03

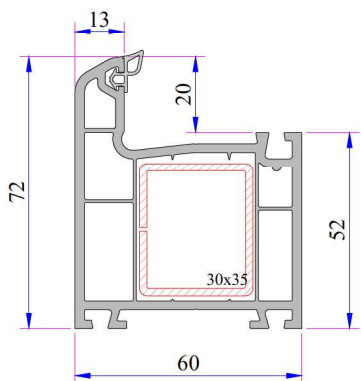


**WF-BA-70L075**  
Battement intégré de 70 pour ouvrant de porte fenêtre  
Code: P.A.900.2010.600.0.BC.03

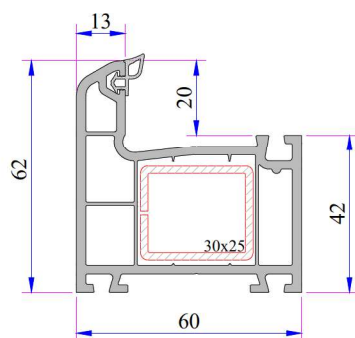


**WF-TR-70L082**  
Traverse de 70 largeur 82 mm  
Code: P.A.900.3004.600.0.BC.03

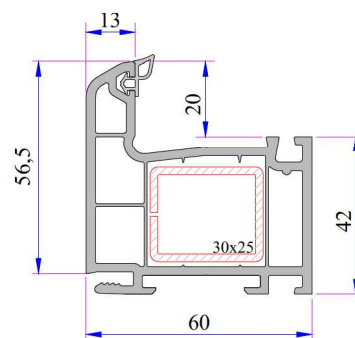
## FR 60 Serie Profiles



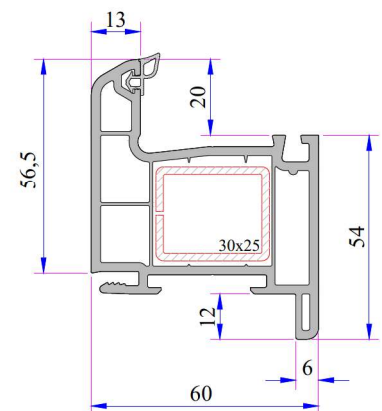
**WF-DB-LAR072**  
Dormant de base de 60mm largeur  
Code: P.A.900.1001.600.0.BC.03



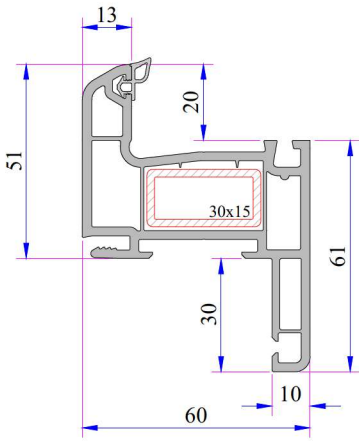
**WF-DB-LAR062**  
Dormant de base de 60mm largeur 62mm  
Code: P.A.900.1000.600.0.BC.03



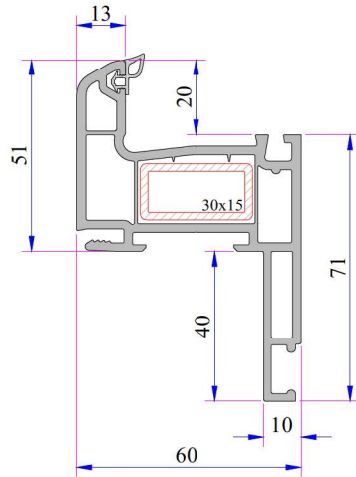
**WF-DB-VRIDM**  
Dormant de base pour dormant monobloc avec volet roulant  
Code: P.A.900.1006.600.0.BC.03



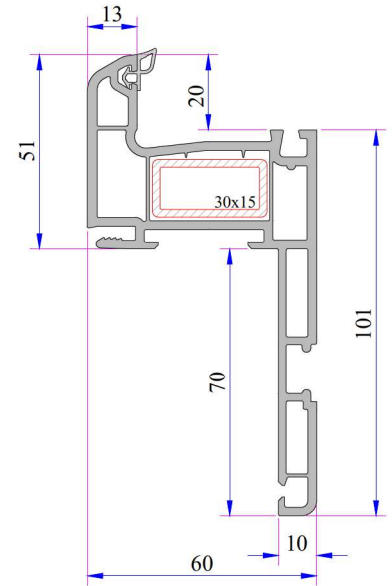
**WF-DB-VRTDM**  
Dormant de base pour dormant monobloc sous coffre tunnel  
Code: P.A.900.1005.600.0.BC.03



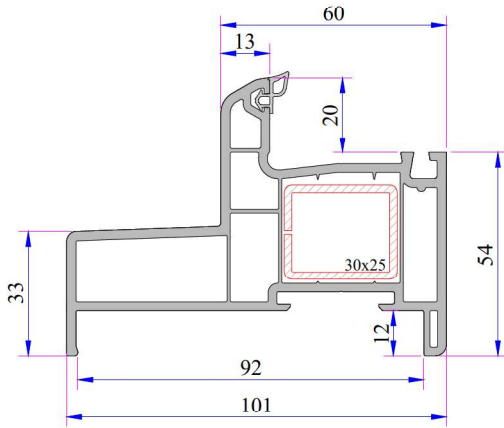
**WF-DR-AILE30**  
Dormant rénovation aile de 30mm  
Code: P.A.900.1203.600.0.BC.03



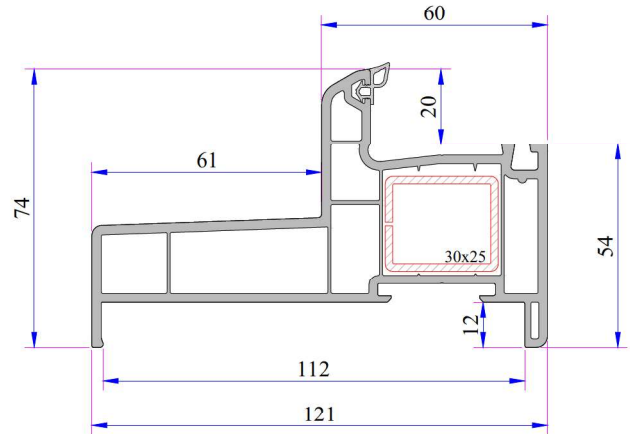
**WF-DR-AILE40**  
Dormant rénovation aile de 40mm  
Code: P.A.900.1204.600.0.BC.03



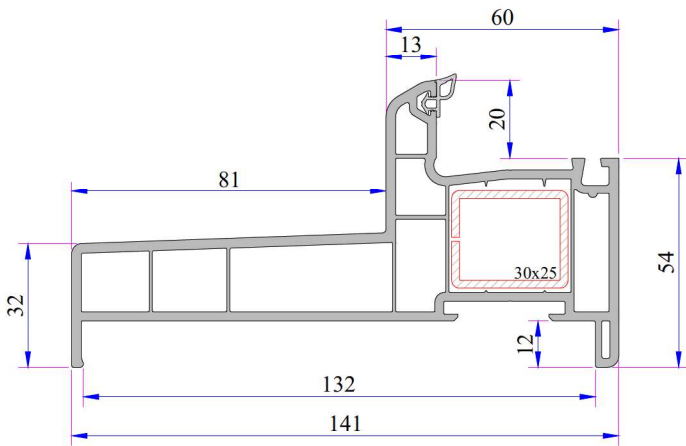
**WF-DR-AILE70**  
Dormant rénovation aile de 70mm  
Code: P.A.900.1205.600.0.BC.03



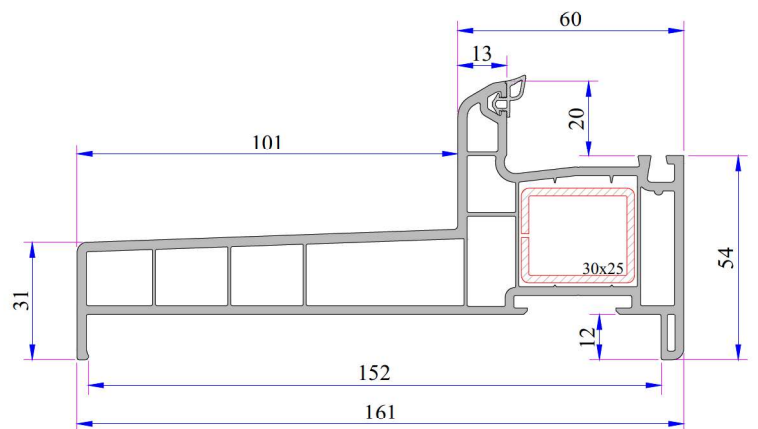
**WF-DM-IsO100**  
Dormant Monobloc pour isolation de 100mm  
Code: P.A.900.1300.600.0.BC.03



**WF-DM-IsO120**  
Dormant Monobloc pour isolation de 120mm  
Code: P.A.900.1301.600.0.BC.03

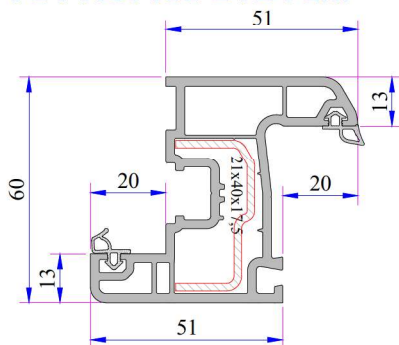


**WF-DM-IsO140**  
Dormant Monobloc pour isolation de 140mm  
Code: P.A.900.1302.600.0.BC.03

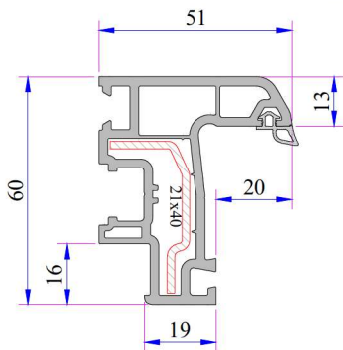


**WF-DM-IsO160**  
Dormant Monobloc pour isolation de 160mm  
Code: P.A.900.1303.600.0.BC.03

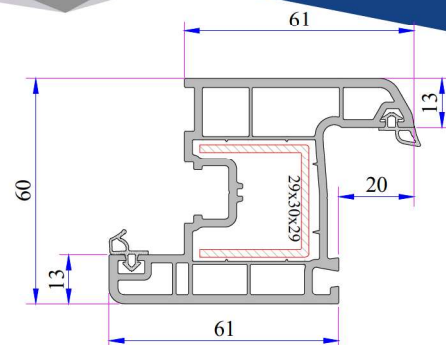
# W FR 60 - 70 SERIES PVC PROFILE SYSTEM



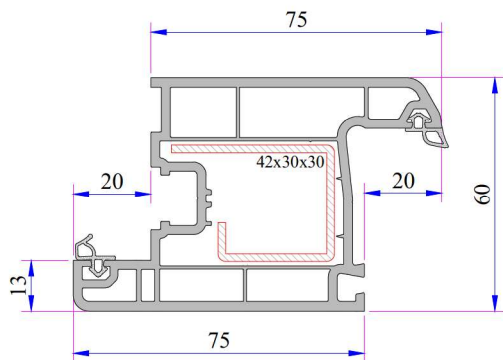
**WF-OU-60L051**  
Ouvrant de 60 mm pour fenêtre  
Code: P.A.900.2005.600.0.BC.03



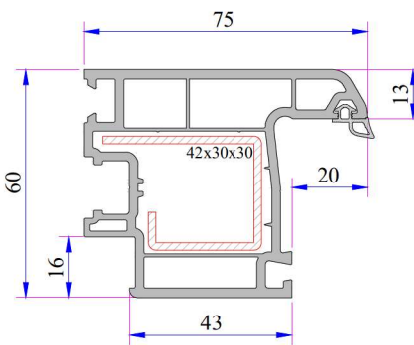
**WF-BA-60L051**  
Battement intégré de 60 pour ouvrant de fenêtre  
Code: P.A.900.2006.600.0.BC.03



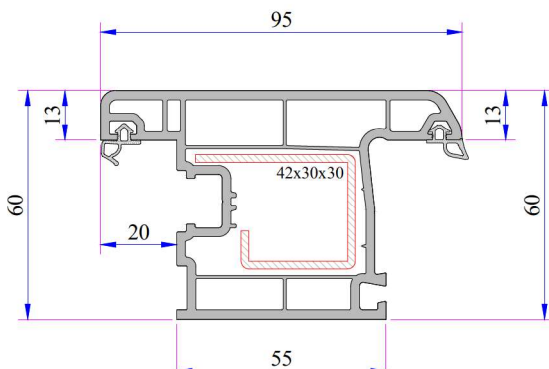
**WF-SASH 61mm**  
Code: P.A.632.2000.600.0.BC.03



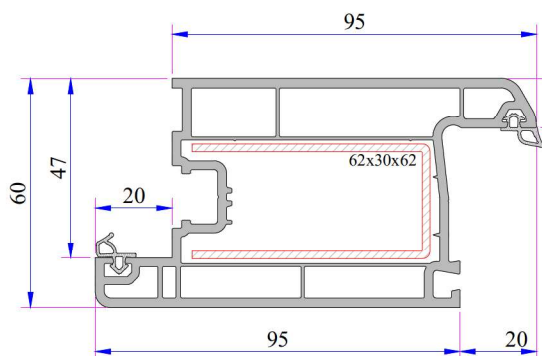
**WF-OU-60L075**  
Code: P.A.900.2007.600.0.BC.03



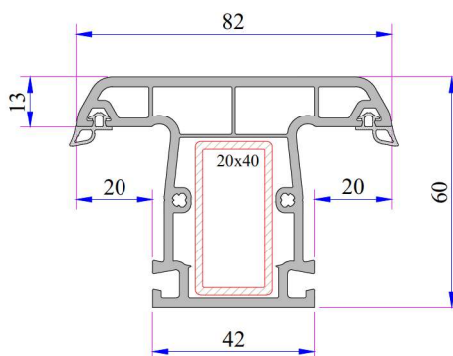
**WF-BA-60L075**  
Battement intégré de 60 pour ouvrant de porte fenêtre  
Code: P.A.900.2008.600.0.BC.03



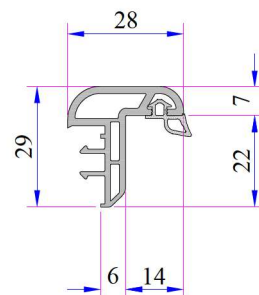
**WF-OU-60EX95**  
Code: P.A.900.2101.600.0.BC.03



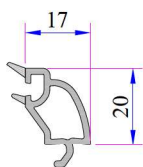
**WF-OU-60L095**  
Ouvrant de 60mm pour porte d'entrée  
Code: P.A.900.2100.600.0.BC.03



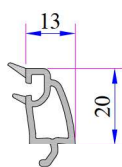
**WF-TR-60L082**  
Traverse de 60 largeur 82 mm  
Code: P.A.900.3003.600.0.BC.03



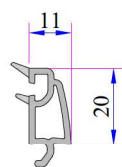
**WF-BA-RAP028**  
Battement extérieur de 28 mm  
Code: P.A.900.3100.600.0.00.19



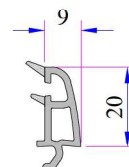
**WF-PA-24ARC**  
Parclose arc pour vitrage de 24 mm  
Code: P.A.900.4206.600.0.BC.03



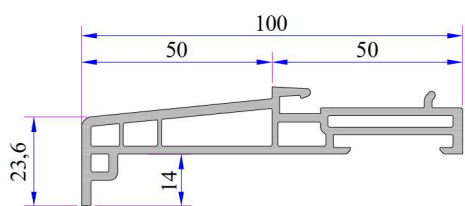
**WF-PA-28ARC**  
Parclose arc pour vitrage de 28 mm  
Code: P.A.900.4306.600.0.BC.03



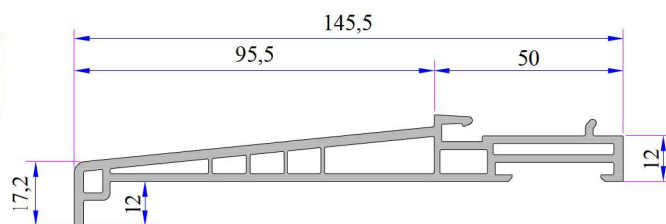
**WF-PA-30ARC**  
Parclose arc pour vitrage de 30 mm  
Code: P.A.900.6404.600.0.BC.03



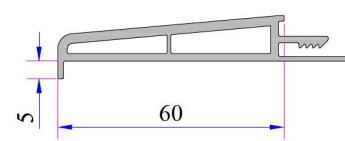
**WF-PA-32ARC**  
Parclose arc pour vitrage de 32 mm  
Code: P.A.900.4505.600.0.BC.03



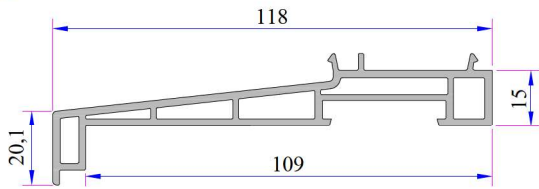
**WF-AP-DEB050**  
Pièce d'appui avec débord de 50 mm  
Code: P.A.900.6301.600.0.BC.03



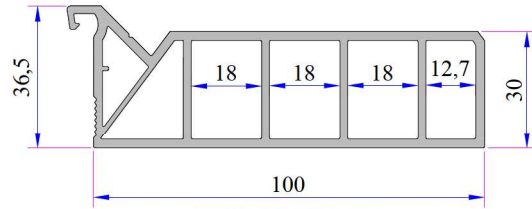
**WF-AP-DEB095**  
Pièce d'appui avec débord de 95 mm  
Code: P.A.900.6300.600.0.BC.03



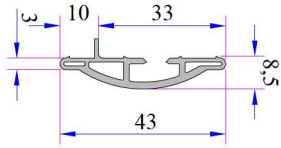
**Sill Profile Under Frame (60mm)**  
Code: P.A.706.5528.600.0.BC.03



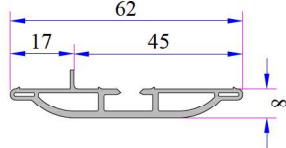
**Pièce d'appui avec débord**  
Code: P.A.058.5504.600.0.00.19



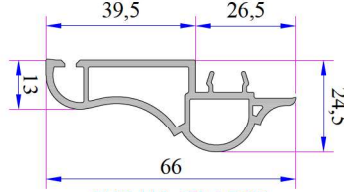
**WF - FOUR \ 100**  
Code: P.A.900.6308.600.0.00.19



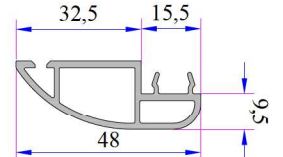
**WF-BA-INTO43**  
Battue intérieure de 43 mm  
Code: P.A.900.6303.600.0.BC.03



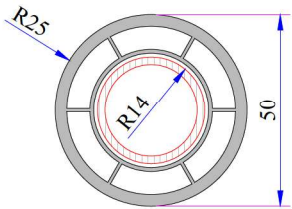
**WF-BA-INTO62**  
Battue intérieure de 62 mm pour poignée centrée  
Code: P.A.900.6302.600.0.BC.03



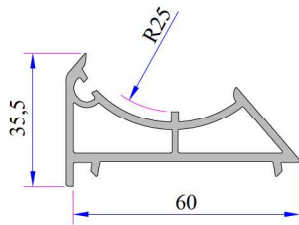
**WF-HA-CLAP66**  
Habillage à clipper 66 mm sur l'aile de 40 mm du dormant  
Code: P.A.900.6305.600.0.BC.03



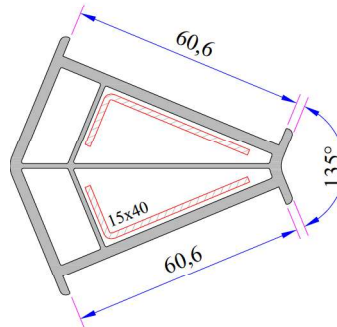
**WF-HA-CLAP48**  
Habillage à clipper 48 mm sur l'aile de 40 mm du dormant  
Code: P.A.900.6304.600.0.BC.03



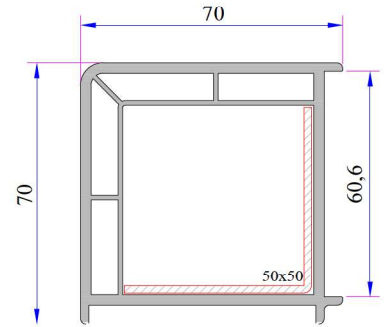
**Tuyau Cintre**  
Code: P.A.050.5106.600



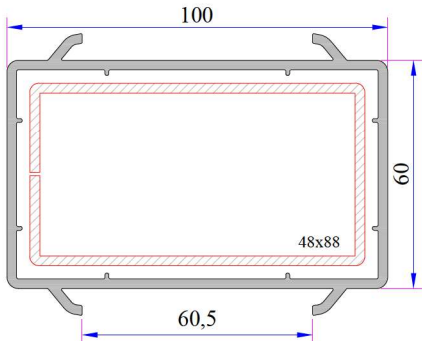
**Adapteur Tuyau Cintre**  
Code: P.A.060.5104.600.0.00.19



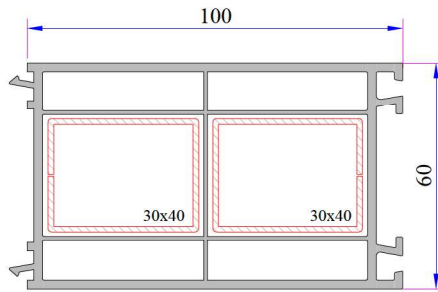
**135° Corner Profile**  
Code: P.A.060.5102.600.0.00.19



**90° Corner Profile**  
Code: P.A.060.5100.600.0.00.19



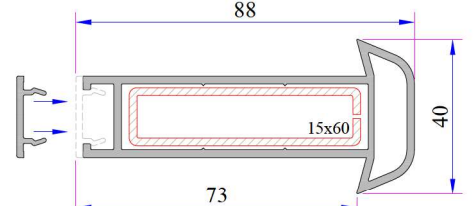
**60x100 Profile Boite**  
Code: P.A.060.5203.600.0.00



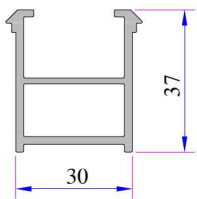
**WF-RA-ELA100**  
Elargisseur de 100 mm  
Code: P.A.900.5303.600.0.00.19



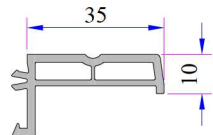
**Uni. Large Coupling Cover Profile**  
Code: P.A.058.5707.600.0.00.19



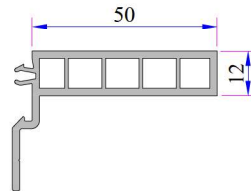
**Universal Large Coupling Profile**  
Code: P.A.058.5000.600.0.00.19



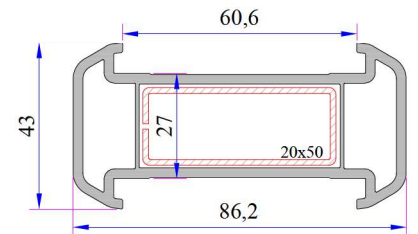
**Frame Montage Profile**  
Code: P.A.060.5301.600.0.00.19



**WF-HA-CLAP35**  
Habillage à clipper Sur dormant  
Code: P.A.099.5523.600



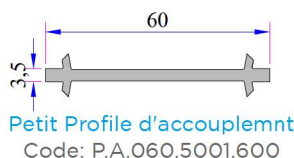
**WF-HA-CLAP50**  
Habillage à clipper Sur dormant  
Code: P.A.099.5524.600



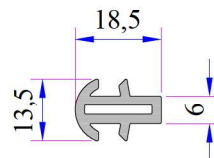
**Gros Profile d'accouplement**  
Code: P.A.060.5000.600.0.00.19



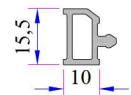
**WF-HA-REJO20**  
Rejet d'eau quart de rond de 20 mm  
Code: P.A.900.6307.600



**Petit Profile d'accouplement**  
Code: P.A.060.5001.600

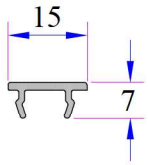


**WF-RA-ACCOU6 Accouplement**  
Code: P.A.099.5003.600

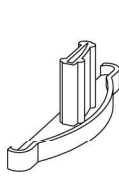


**WF-HA-EPA110**  
Habillage d'épaisseur 10 mm à clipper derrière l'aile rênô  
Code: P.A.900.6306.600.0.00.19

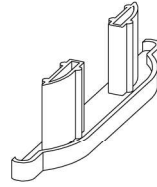
# W FR 60 - 70 SERIES PVC PROFILE SYSTEM



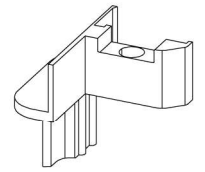
**WF-HA-DR4070**  
Habillage pour aile de 40 ou 70 mm  
Code: P.A.900.5705.600.0.00.19



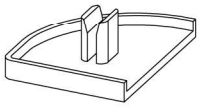
**WF-BO-INT043**  
Bouchon pour battue intérieure de 43mm  
Code: 34012-10170



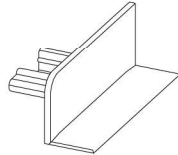
**WF-BO-INT043**  
Bouchon pour battue intérieure de 43mm  
Code: 34012-10180



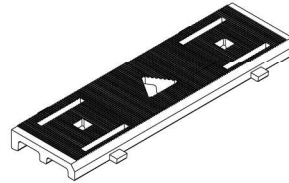
**WF-BO-INT043**  
Bouchon pour battue intérieure de 43mm  
Code: 34012-10160



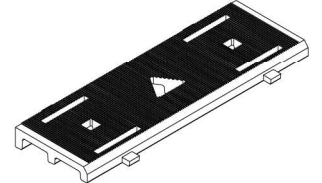
**WF-BO-REJ020**  
Bouchon pour rejet d'eau de 20mm  
Code: 34026-14090



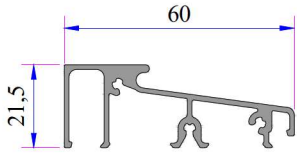
**WF-BO-BATINT**  
Bouchon pour battement intégré d'ouvrant  
Code: 34012-10190



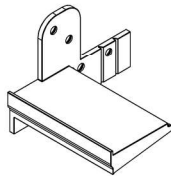
**WF-CA-VITR60**  
Cale de vitrage de 60  
Code: 34014-13070



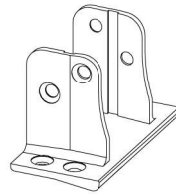
**WF-CA-VITR70**  
Cale de vitrage de 70  
Code: 34014-13080



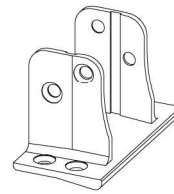
**Seuiller Aluminium**  
Code: AD16-001



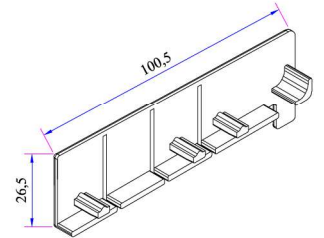
**Connecteur Seuiller Aluminium**  
Code: 34007-15010



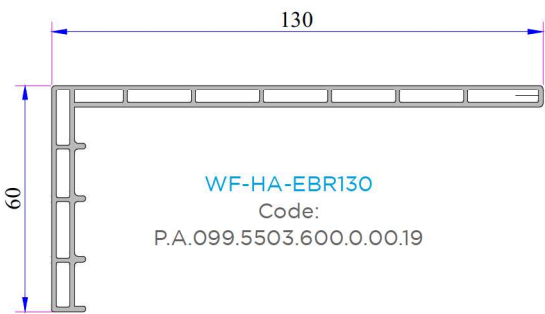
**WF-AC-70L082**  
Etrier métallique de 70  
Code: 34007-11150



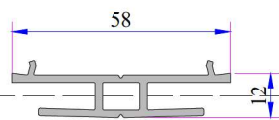
**WF-AC-60L082**  
Etrier métallique de 60  
Code: 34007-11140



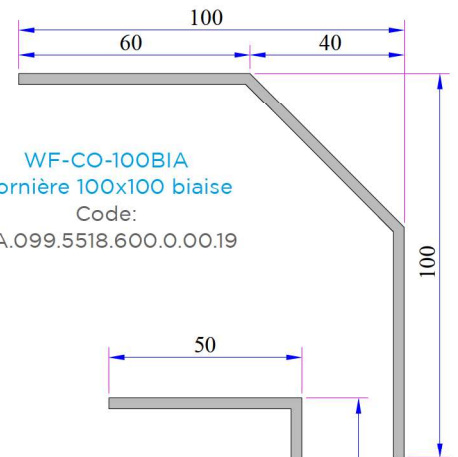
**WF-BO-DMIs0160**  
Bouchon pour dormant monobloc



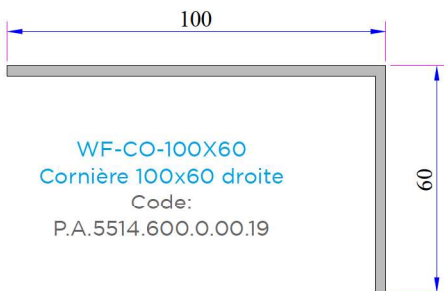
**WF-HA-EBR130**  
Code: P.A.099.5503.600.0.00.19



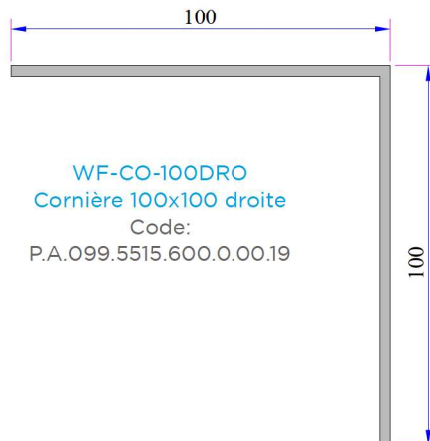
**WF-RA-EBRAS1**  
Code: P.A.099.5520.600.0



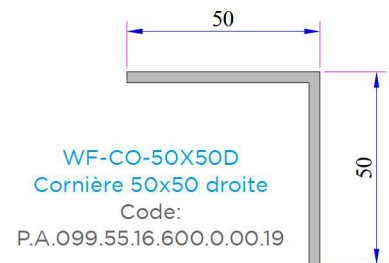
**WF-CO-100BIA**  
Cornière 100x100 biaisée  
Code: P.A.099.5518.600.0.00.19



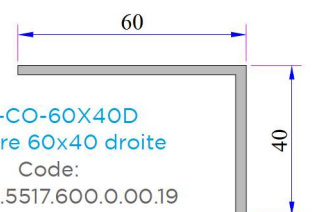
**WF-CO-100X60**  
Cornière 100x60 droite  
Code: P.A.5514.600.0.00.19



**WF-CO-100DRO**  
Cornière 100x100 droite  
Code: P.A.099.5515.600.0.00.19

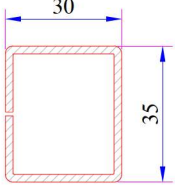
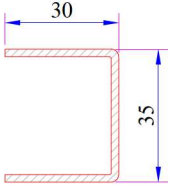
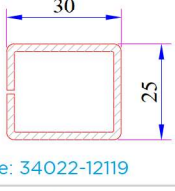
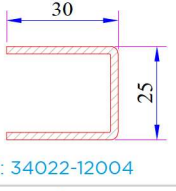
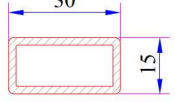
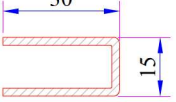
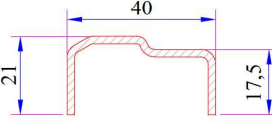
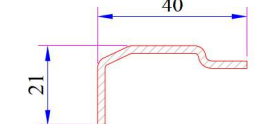
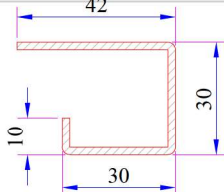
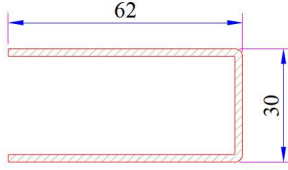
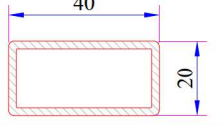
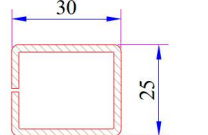
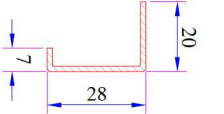
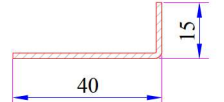


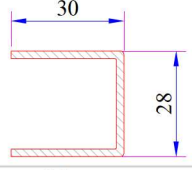
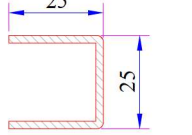
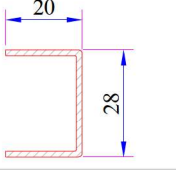
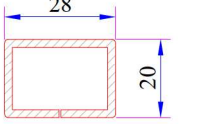
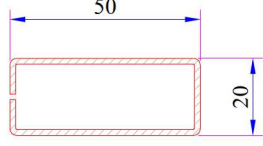
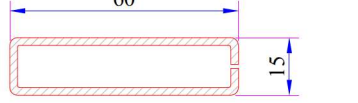
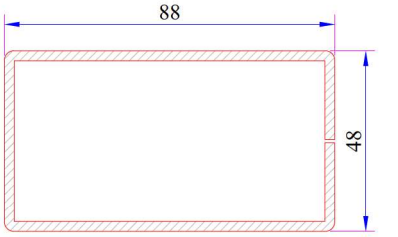
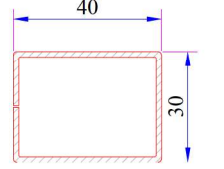
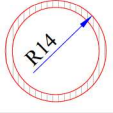
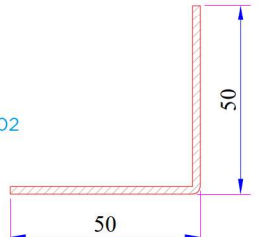
**WF-CO-50X50D**  
Cornière 50x50 droite  
Code: P.A.099.5516.600.0.00.19



**WF-CO-60X40D**  
Cornière 60x40 droite  
Code: P.A.099.5517.600.0.00.19

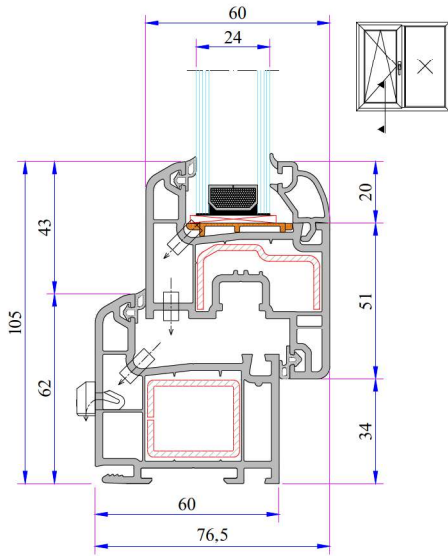
FR 60 Re-Inforcement Profiles

Profile	Reinforcement	Alternative Reinforcement
WF-DB-LAR072	 Code: 34022-12128	 Code: 34022-12037
WF-DB-LAR062 WF-DB-VRIDM WF-DB-VRTDM WF-DM-IsO100 WF-DM-IsO120 WF-DM-IsO140 WF-DM-IsO160	 Code: 34022-12119	 Code: 34022-12004
WF-DR-AILE30 WF-DR-AILE40 WF-DR-AILE70	 Code: 34022-12125	 Code: 34022-12034
WF-OU-60L051 WF-OU-70L051	 Code: 34022-12038	
WF-BA-60L051 WF-BA-70L051	 Code: 34022-12307	
WF-OU-60L075 WF-OU-60EX95 WF-BA-60L075 WF-OU-70L075 WF-BA-70L075	 Code: 34022-12039	
WF-OU-60L095	 Code: 34022-12029	
WF-TR-60L082	 Code: 34022-12114	
WF-TR-70L082	 Code: 34022-12119	
WF-BA-70L051	 Code: 34022-12040	
135° Corner Profile Reinforcement	 Code: 34022-12302	

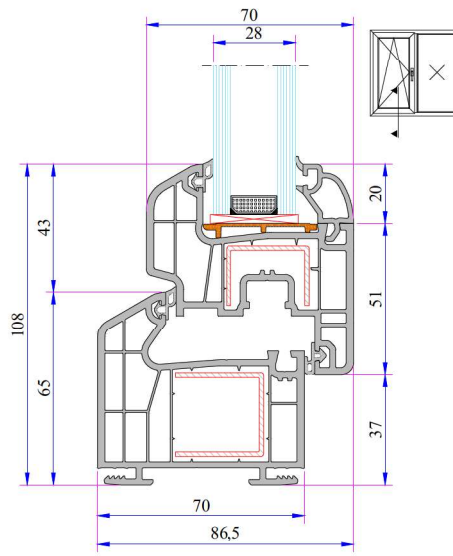
Profile	Reinforcement
FR70 Frame Profile Reinforcement	 Code: 34022-12041
Mullion Profile Reinforcement	 Code: 34022-12003
WF-OU-70L051	 Code: 34022-12042
Lap Joint Profile Reinforcement	 Code: 34022-12118
Large Couple Profile Reinforcement	 Code: 34022-12105
Universal Large Coupling Profile Reinforcement	 Code: 34022-12123
60x100m Box Profile Reinforcement	 Code: 34022-12102
WF-RA-ELA100 Reinforcement	 Code: 34022-12105
Angle Pipe Profile Reinforcement	 Code: 34022-12503
90° Corner Profile Reinforcement	 Code: 34022-12302

# W FR 60 - 70 SERIES PVC PROFILE SYSTEM

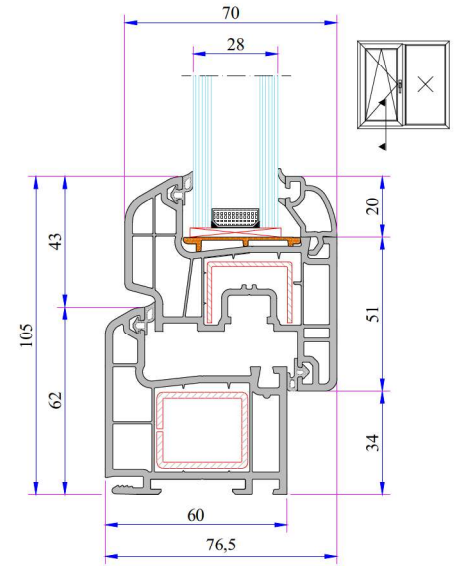
## FR 60 Installation



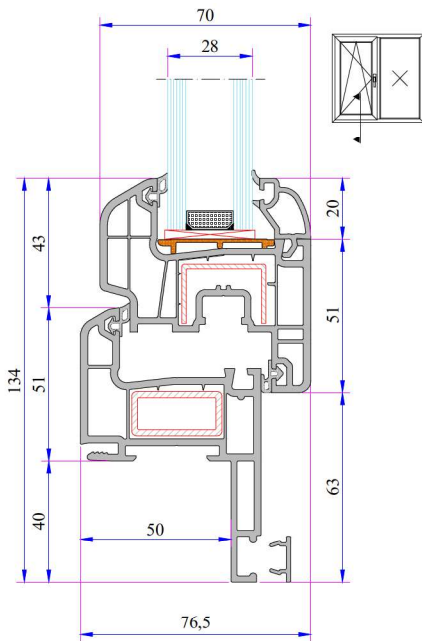
Frame - Narrow Sash Installation



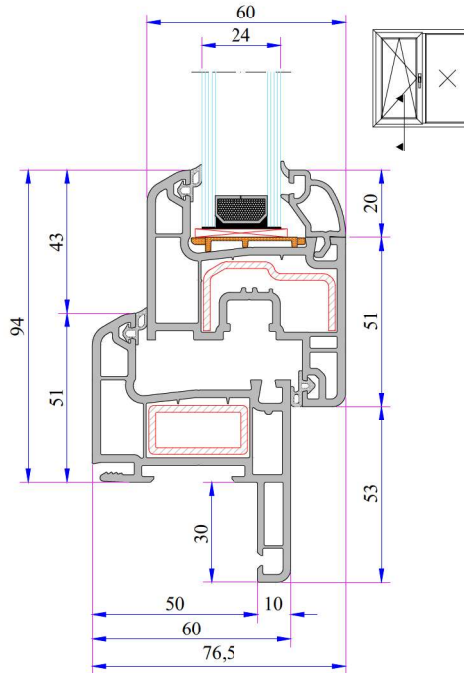
FR 70 Frame - Offset Type Sash Installation



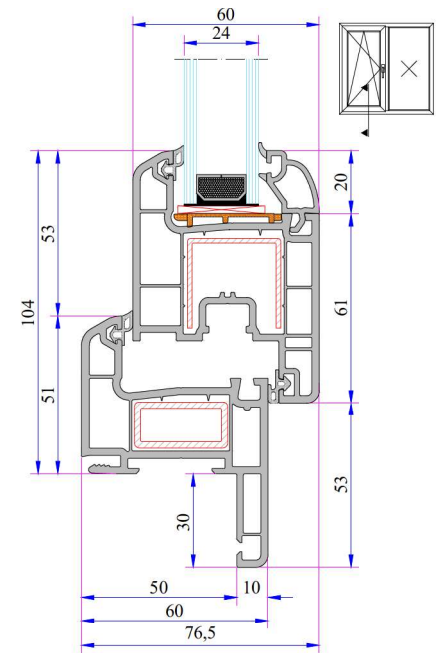
Frame - Offset Type Sash Installation



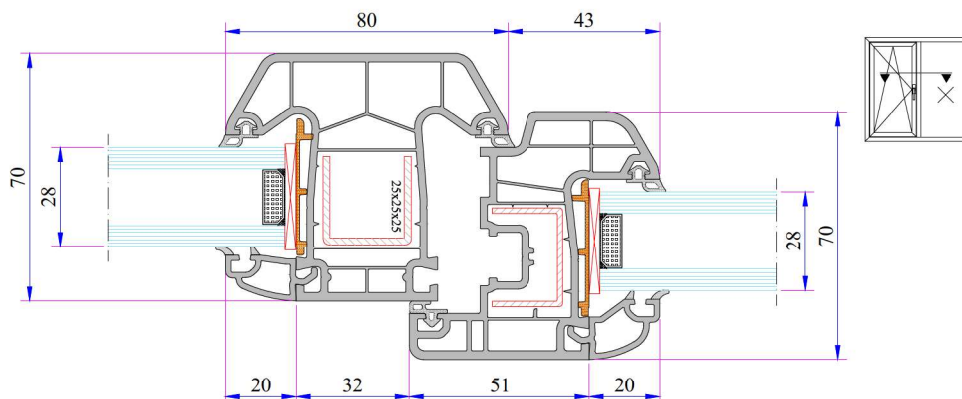
40mm Frame with Sill - Offset Type Sash Installation



30mm Frame with Sill - Narrow Sash Installation

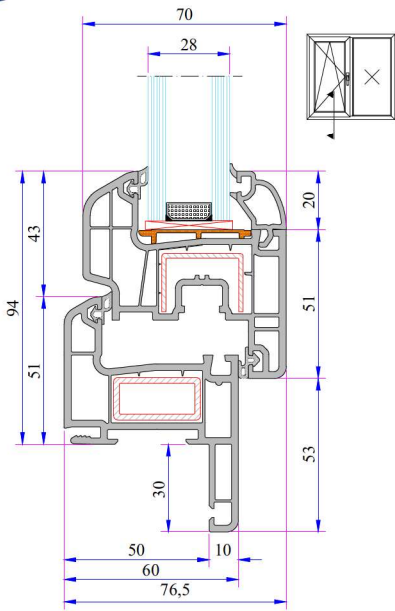


30mm Frame with Sill - Sash Installation

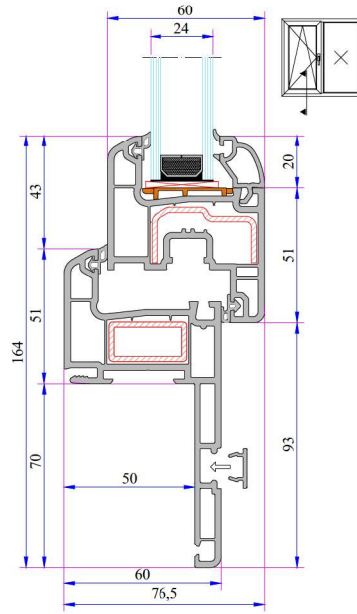


Mullion - Offset Type Sash Installation

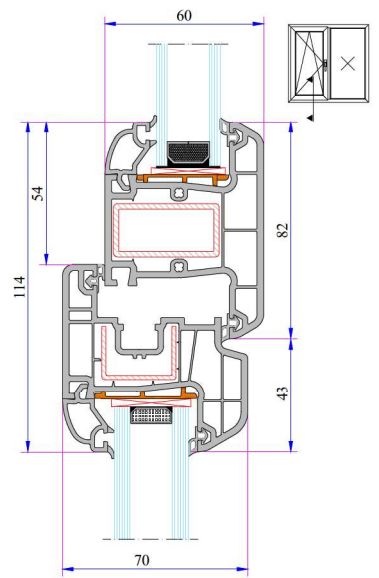
# W FR 60 - 70 SERIES PVC PROFILE SYSTEM



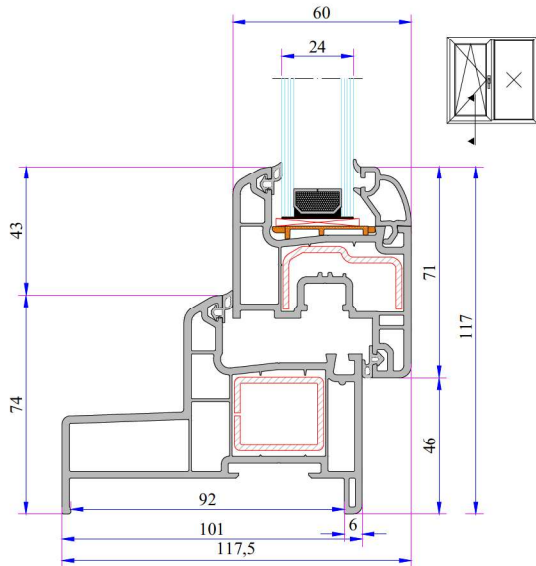
30mm Frame with Sill - Offset Type Sash Installation



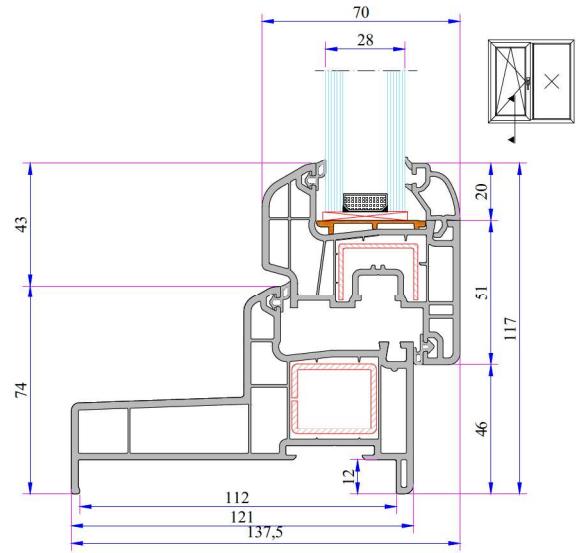
70mm Frame with Sill - Narrow Sash Installation



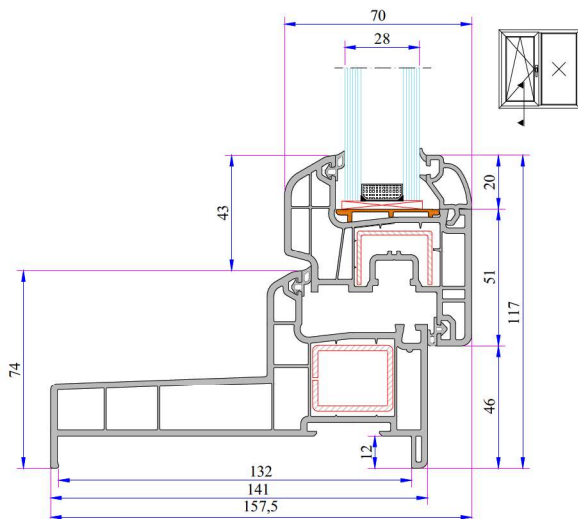
Offset Type Sash - Mullion Installation



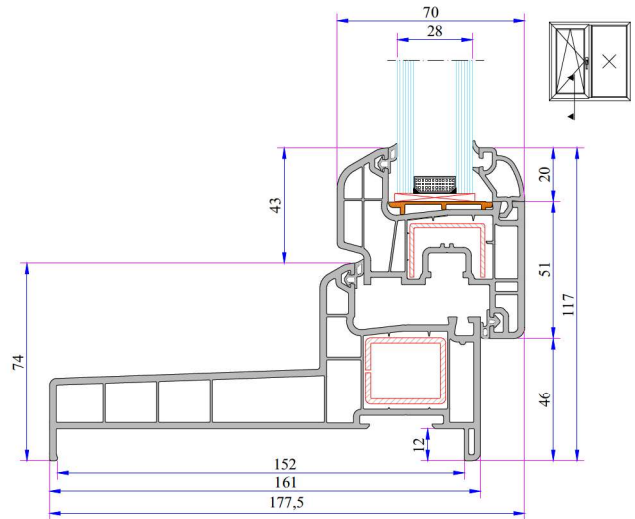
100mm Frame With Sill - Narrow Sash Installation



120mm Frame With Sill - Offset Type Sash Installation



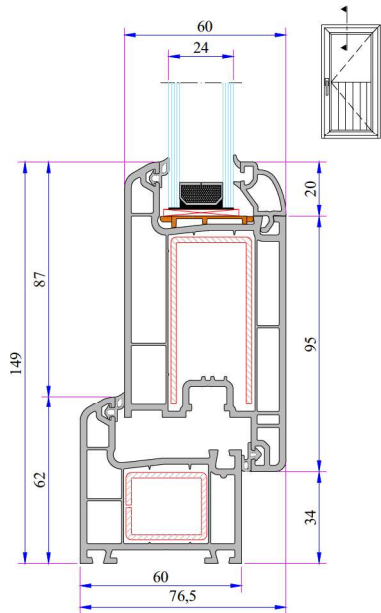
140mm Frame With Sill - Offset Type Sash Installation



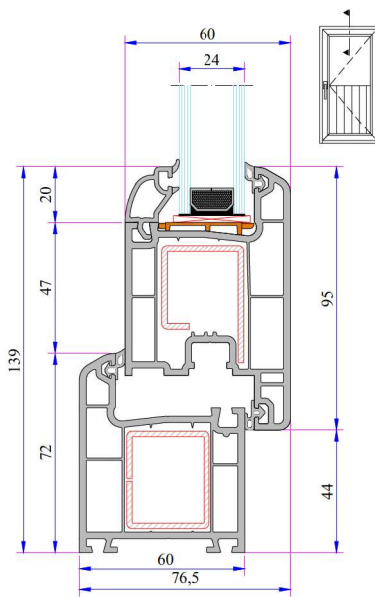
160mm Frame With Sill - Offset Type Sash Installation



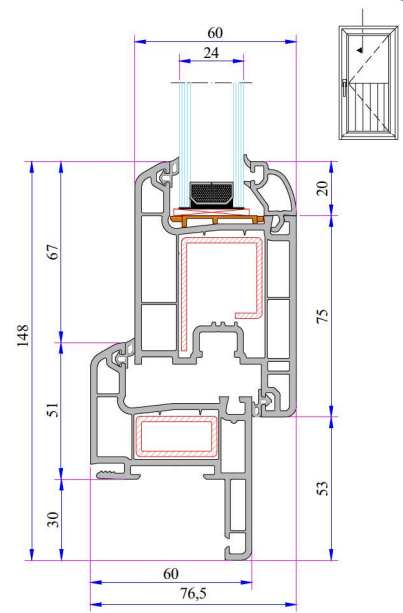
# W FR 60 - 70 SERIES PVC PROFILE SYSTEM



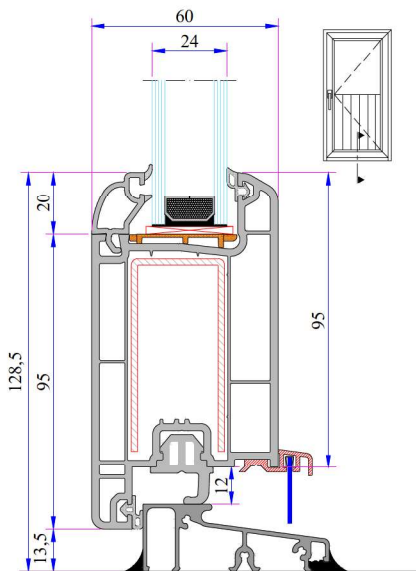
Frame - Door Sash Installation



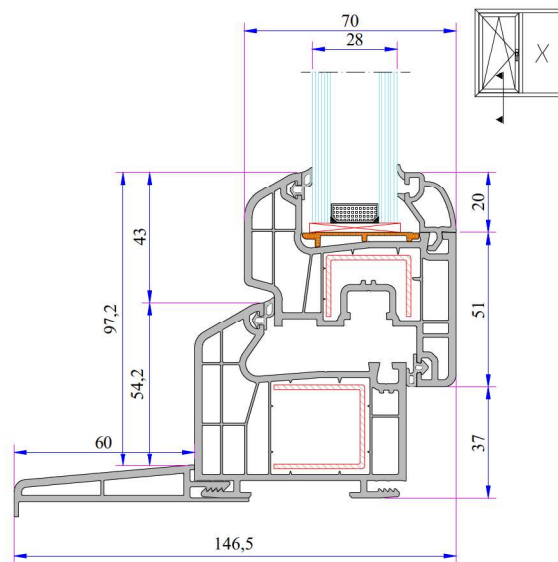
Super Frame - Outward Opening  
Door Sash Installation



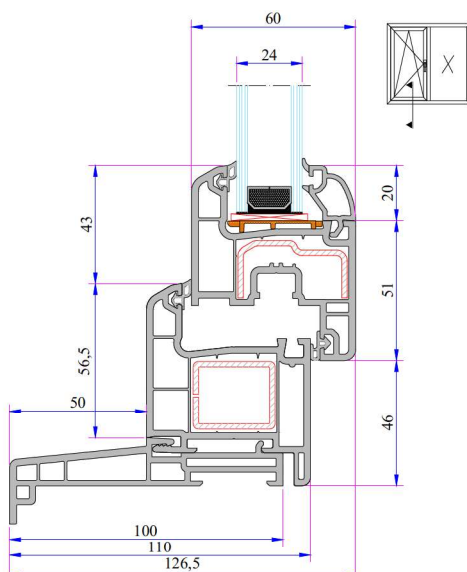
30mm Frame With Sill - Eco  
Door Sash Installation



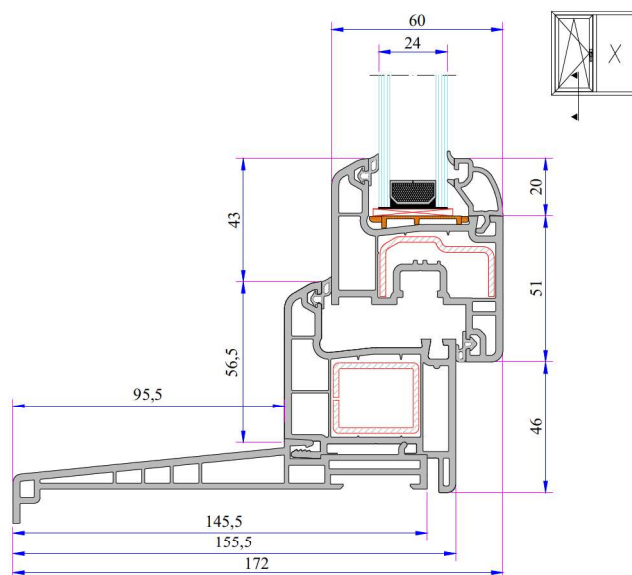
With Aluminium Threshold  
Frame Door Sash Installation



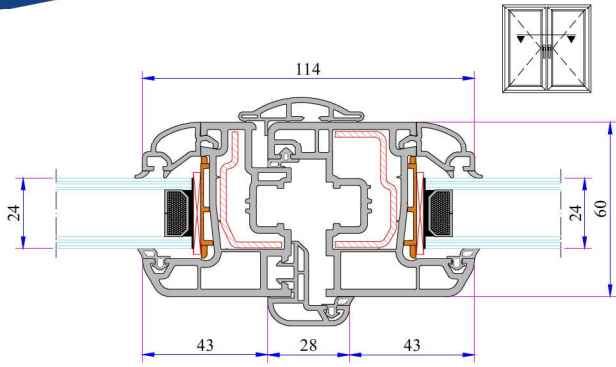
Sill Profile (60mm) Installation



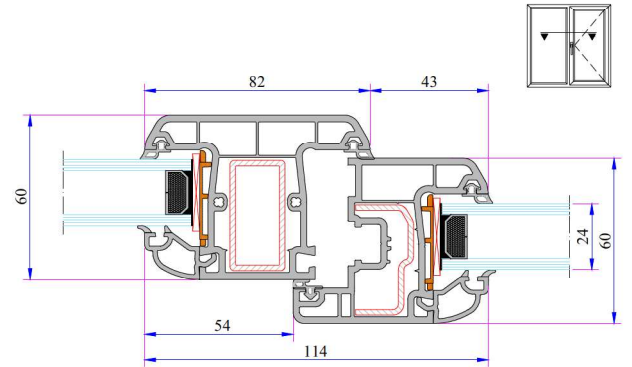
50mm Frame Sill Profile  
Installation



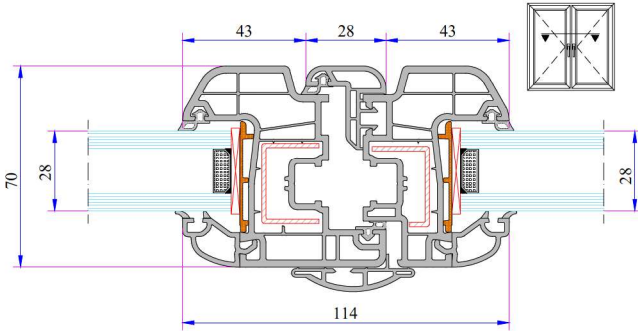
95mm Frame Sill Profile  
Installation



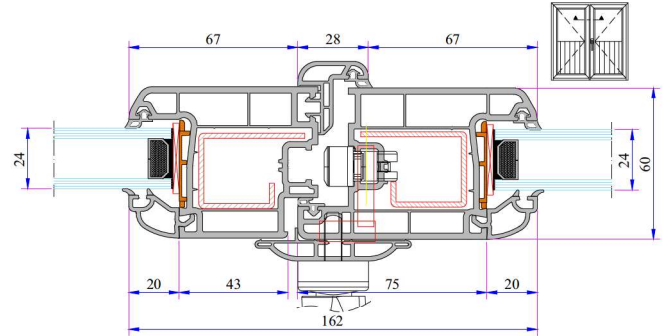
Narrow Sash - Lap Joint -  
Narrow Sash Installation



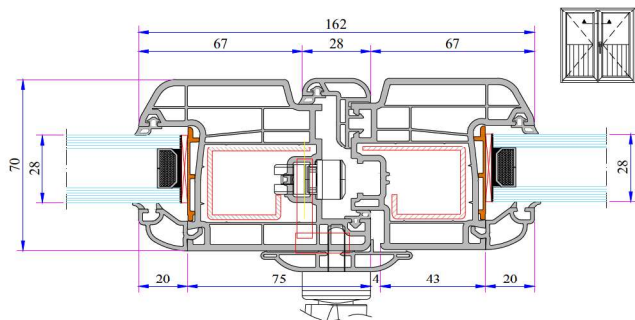
Narrow Sash - Mullion Profile  
Installation



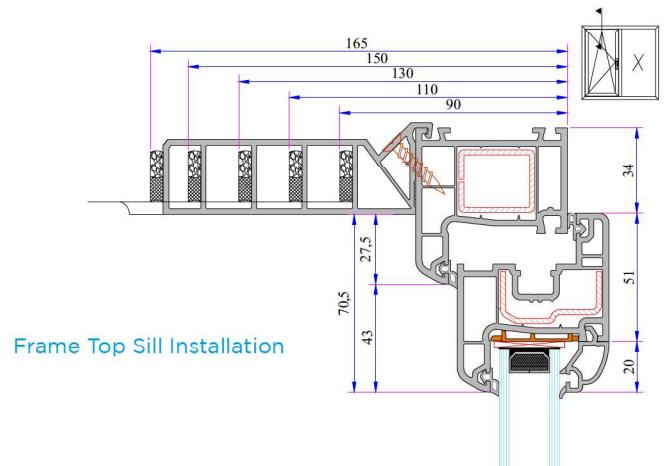
Offset Type Sash - Lap Joint -  
Offset Type Sash Installation



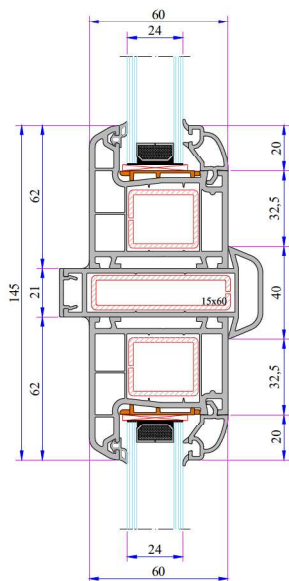
Door Sash - Lap Joint - Half  
Door Sash Installation



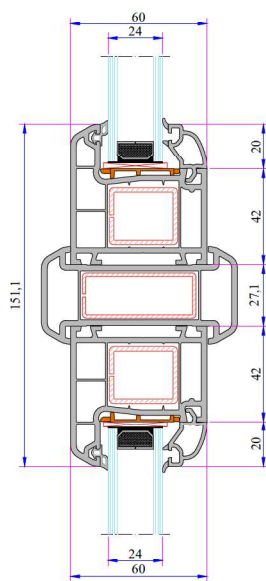
Offset Type Door Sash - Lap Joint -  
Offset Type Half Door Sash Installation



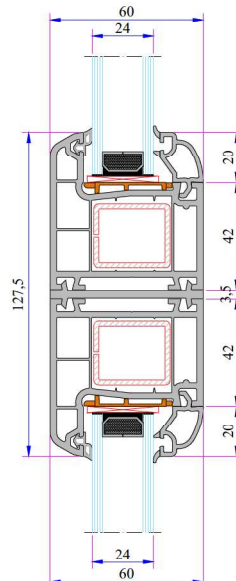
Frame Top Sill Installation



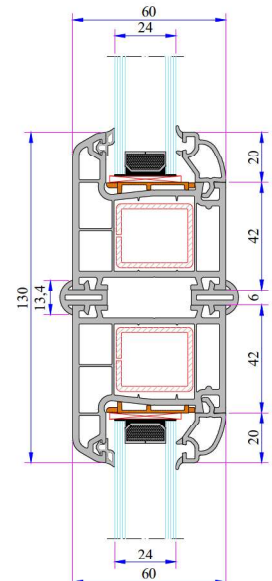
Universal Large Coupling  
Profile Installation



Large Coupling Profile  
Installation

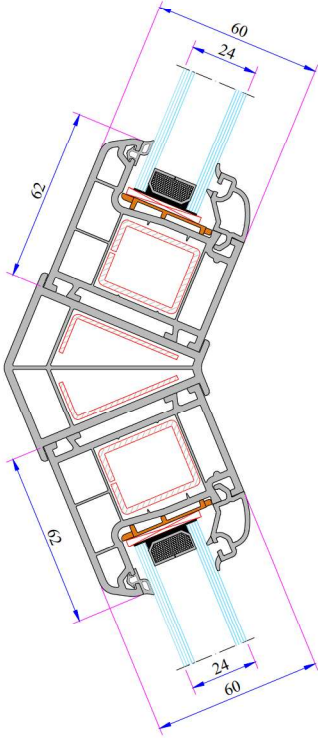


Narrow Coupling Profile  
Installation

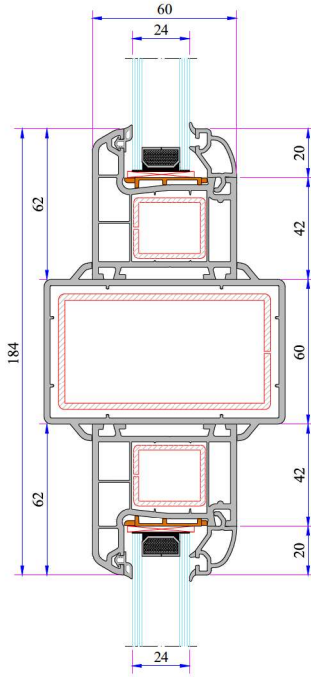


Short Coupling Profile  
Installation

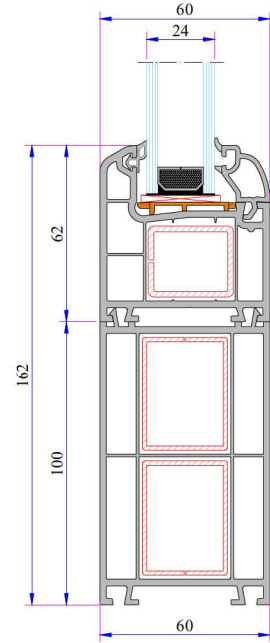
# W FR 60 - 70 SERIES PVC PROFILE SYSTEM



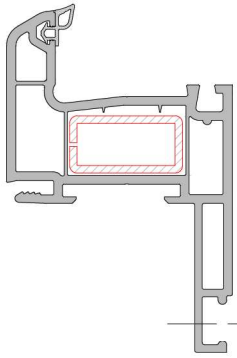
135° Corner Profile Installation



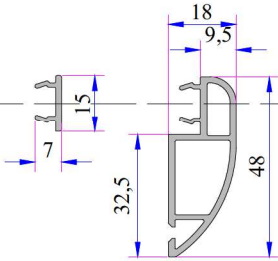
Box Profile Installation



100mm Frame Lifting Profile Installation

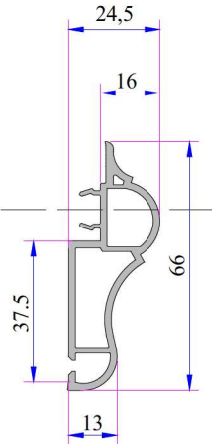


WF - HA - DR 4070

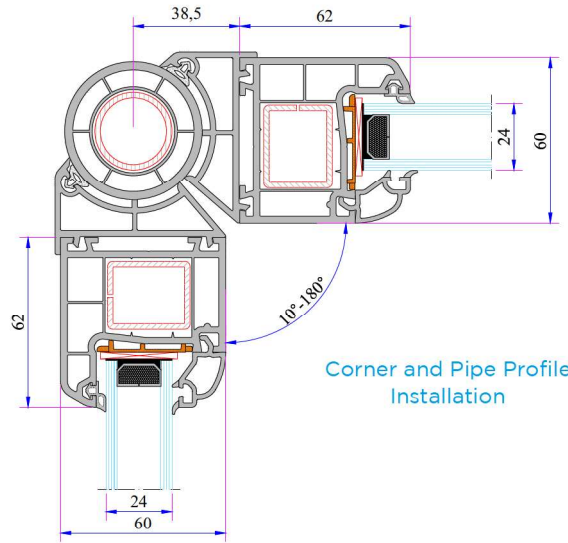


WF-HA-CACHE7

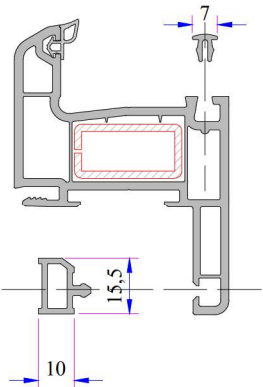
WF - HA - CLAP \ 48



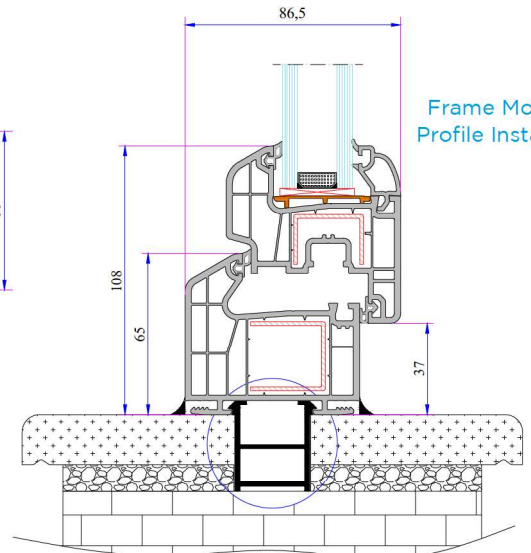
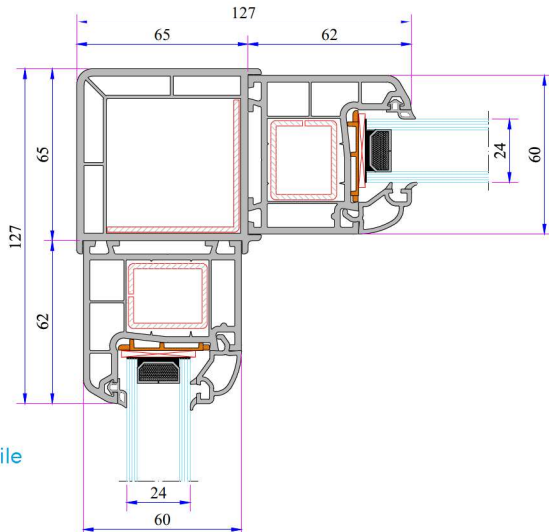
WF - HA - CLAP \ 66



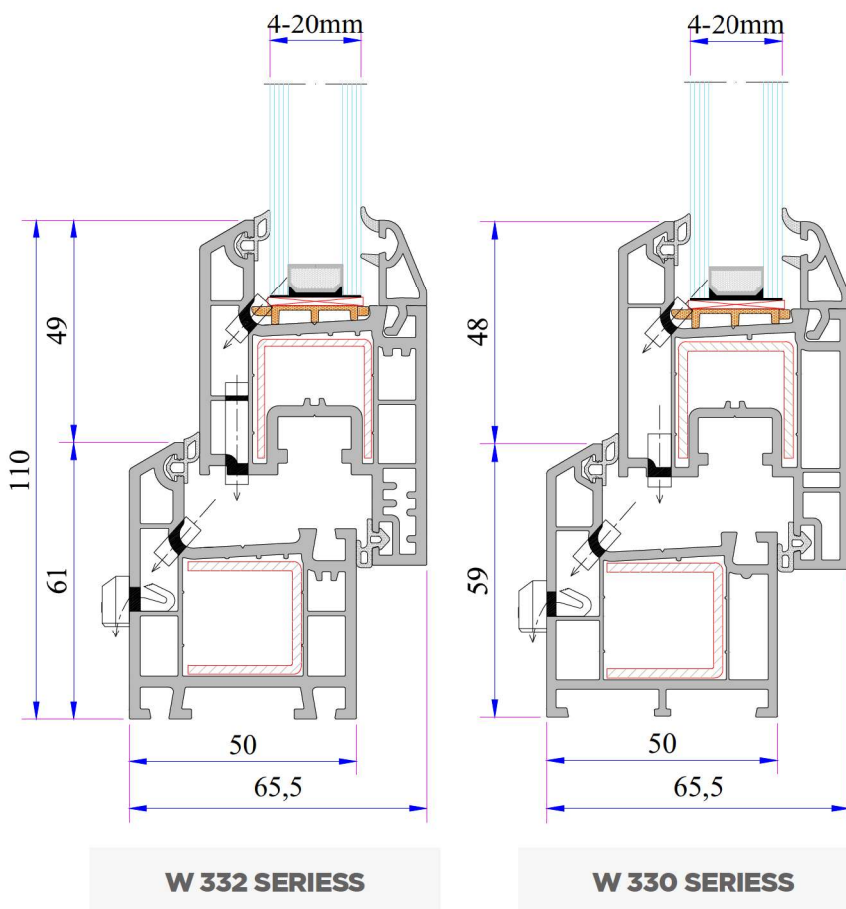
Corner and Pipe Profile Installation



90° Corner Profile Installation



Frame Montage Profile Installation



## TECHNICAL

### W 332 SERIES

**Profile Width:** 50 mm

**Number of chambers:** 3

**Profile Class:** B Class (TS EN 12608-1)

**Seal Type:** External / Internal double seal system

**Seal Type and Color:** TPE - Grey /Black

**Glass Thickness (mm):** 4, 20 mm

### W 330 SERIES

**Profile Width:** 50 mm

**Number of chambers:** 3

**Profile Class:** C Class (TS EN 12608-1)

**Seal Type:** External / Internal double seal system

**Seal Type and Color:** TPE - Grey /Black

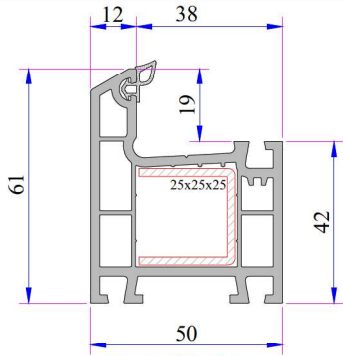
**Glass Thickness (mm):** 4, 20 mm

## INSTRUCTION

- The main profile has 50 mm width.
- Because of the elastic grey and black seal which does not leave any stain on profiles will be provided maximum air, water, dust and sound isolation.
- Due to the 3 chambers profiles, it has maximum performance for thermal, sound and water isolation.
- In addition to white profile a different laminated color range is available.
- 4-5 mm single glazing application of 20 mm glazing bead give us alternatives of using double, triple glazing and panels.

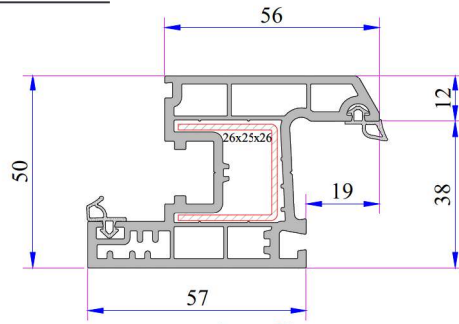
# W 330 - 332 SERIES PVC PROFILE SYSTEM

## W 332 Serie Profiles



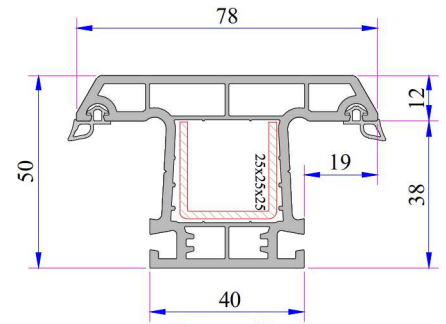
Frame Profile

Code: P.A.332.1000.600.0.BC.03



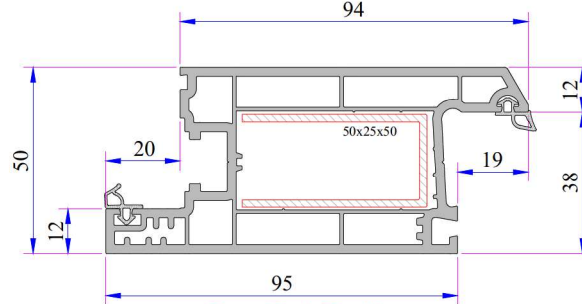
Sash Profile

Code: P.A.332.2000.600.0.BC.03



Mullion Profile

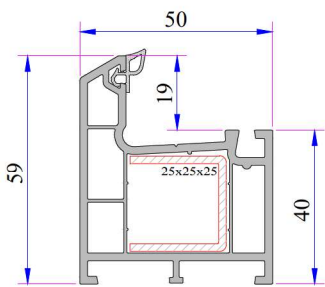
Code: P.A.332.3000.600.0.BC.03



Door Sash Profile

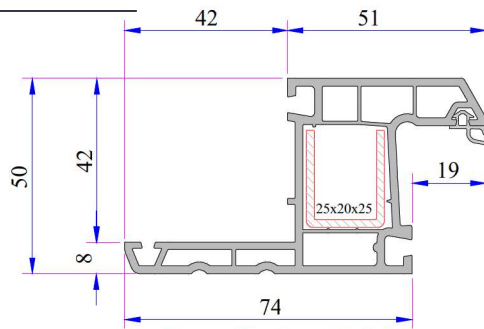
Code: P.A.332.2100.600.0.BC.03

## W 330 Serie Profiles



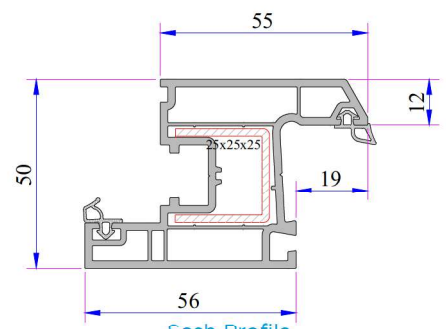
Frame Profile

Code: P.A.330.1000.600.0.BC.03



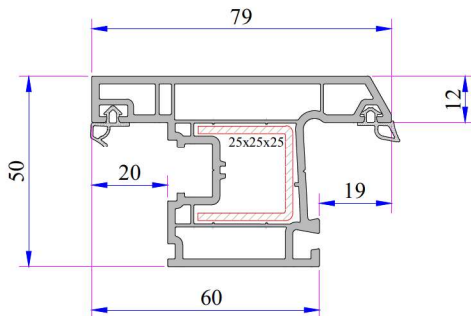
Frame Profile with Sill

Code: P.A.330.1200.600.0.BC.03



Sash Profile

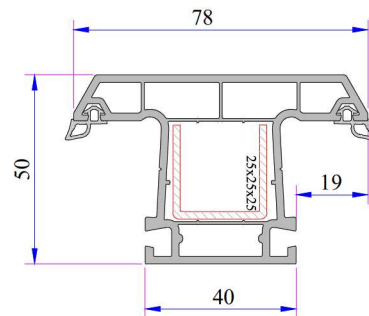
Code: P.A.330.2000.600.0.BC.03



Outward Opening Sash Profile

Code:

P.A.330.2001.600.0.BC.03

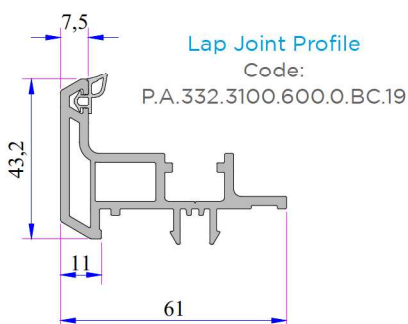


Mullion Profile

Code:

P.A.330.3000.600.0.BC.03

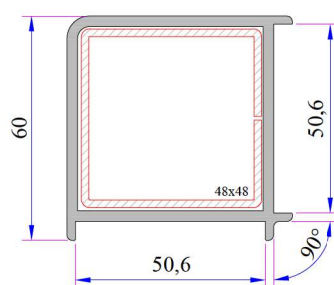
## W 330 - W 332 Serie Profile



Lap Joint Profile

Code:

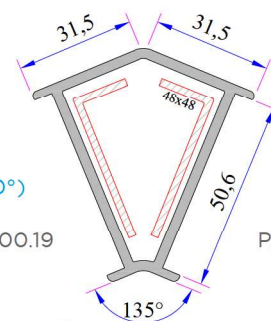
P.A.332.3100.600.0.BC.19



Corner Profile (90°)

Code:

P.A.050.5100.600.0.00.19

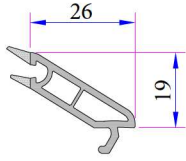


Corner Profile (135°)

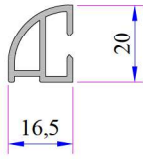
Code:

P.A.050.5102.600.0.00.19

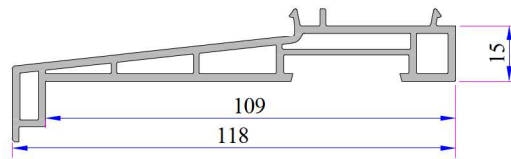
**W 330 - W 332 Serie Profile**



**Single Glazing Bead 4mm**  
Code: P.A.332.4000.600.0.HC



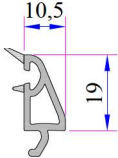
**Offset Profile**  
Code: P.A.900.6307.600



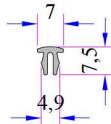
**Sill Profile**  
Code: P.A.058.5504.600.0.00.19



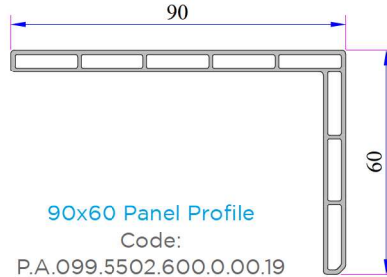
**Universal Large Coupling Cover Profile**  
Code: P.A.058.5707.600.0.00.19



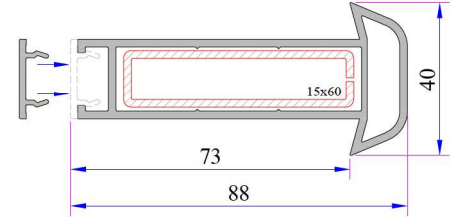
**Double Glazing Bead 20mm**  
Code: P.A.332.4100.600.0.HC



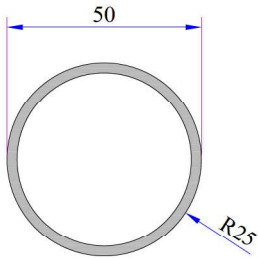
**Frame Channel Cover Profile**  
Code: P.A.099.5703.600



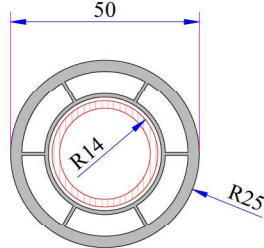
**90x60 Panel Profile**  
Code: P.A.099.5502.600.0.00.19



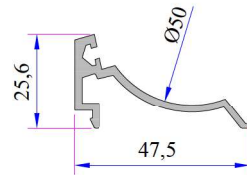
**Universal Large Coupling Profile**  
Code: P.A.058.5000.600.0.00.19



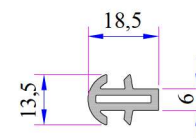
**Angle Pipe Profile (Ø50)**  
Code: P.A.050.5105.600



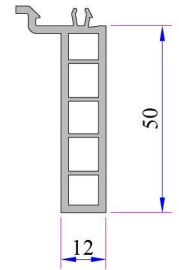
**Angle Pipe Profile (Ø50)**  
Code: P.A.050.5106.600



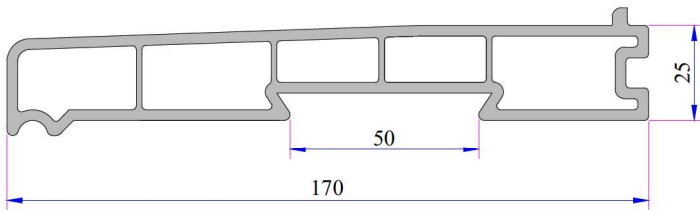
**Alm. Angle Pipe Adaptor Profile (In Process)**



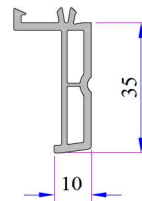
**Short Coupling Profile**  
Code: P.A.099.5003.600



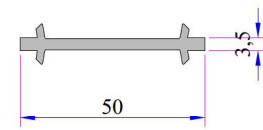
**50mm Frame Sill Profile**  
Code: P.A.099.5524.600



**Sill Profile 170mm**  
Code: P.A.099.5513.600.0.00.19

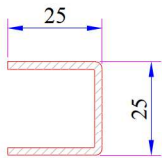


**35mm Frame Sill Profile**  
Code: P.A.099.5523.600

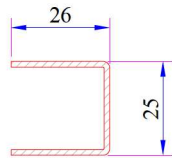


**Narrow Coupling Profile 50mm**  
Code: P.A.050.5001.600

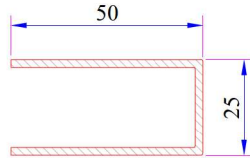
**W 332 - W 330 Re-Inforcement Profiles**



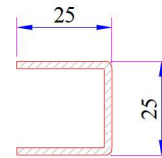
**332 Frame - Mullion Profile Reinforcement**  
Code: 34022-12003



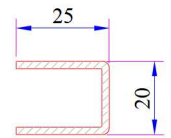
**332 Sash Profile Reinforcement**  
Code: 34022-12003



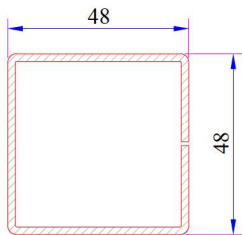
**332 Door Sash Profile Reinforcement**  
Code: 34022-12012



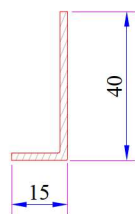
**330 Frame - Sash - Mullion - Outward Opening Sash Profile Reinforcement**  
Code: 34022-12003



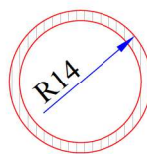
**330 Frame With Sill Profile Reinforcement**  
Code: 34022-12021



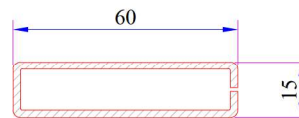
**90° Corner Profile Reinforcement**  
Code: 34022-12102



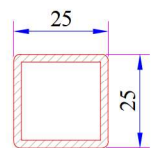
**135° Corner Profile Reinforcement**  
Code: 34022-12301



**Pipe Profile Reinforcement**  
Code: 34022-12503



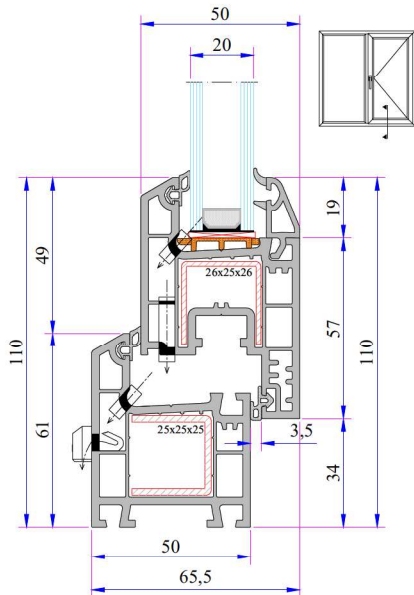
**Universal Large Coupling Profile Reinforcement**  
Code: 34022-12123



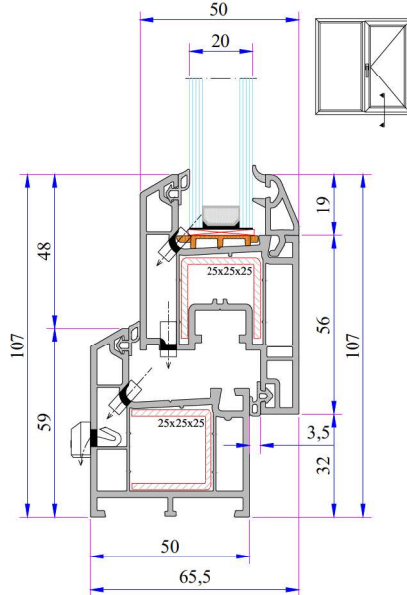
**Mullion Profile Static Reinforcement**  
Code: 34022-12122

# W 330 - 332 SERIES PVC PROFILE SYSTEM

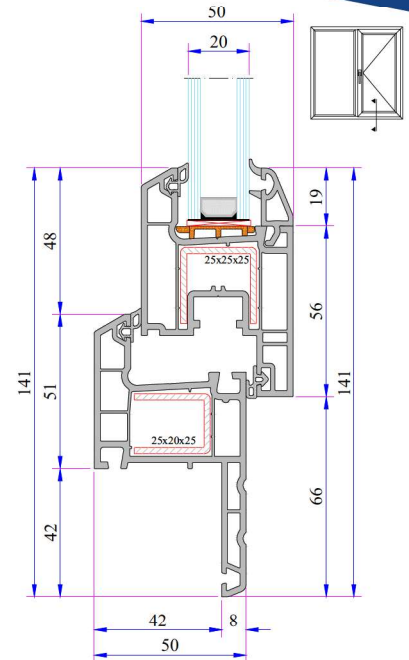
## W 332 - W 330 Installation



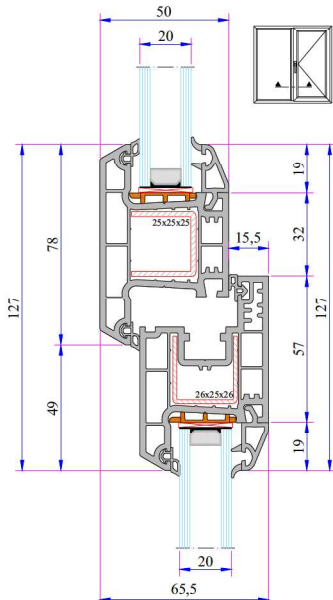
332 Frame - Sash Installation



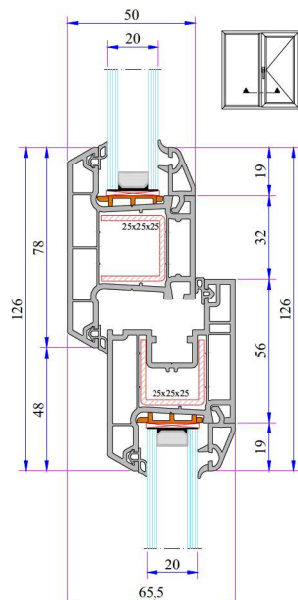
330 Frame - Sash Installation



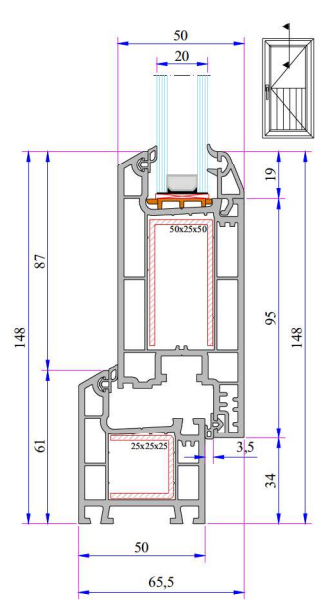
330 Frame Profile with Sill - Sash Installation



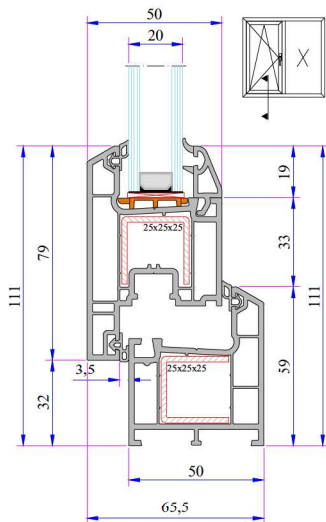
332 Mullion - Sash Installation



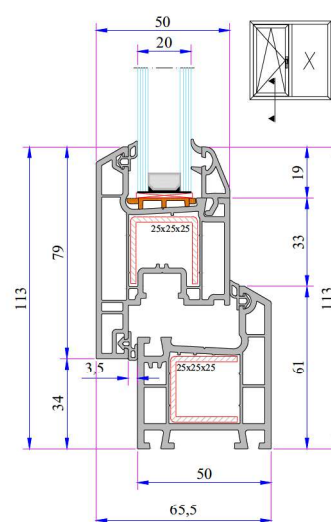
330 Mullion - Sash Installation



332 Frame - Door Sash Installation

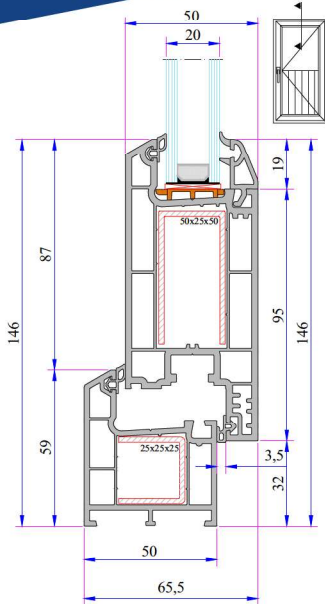


330 Frame - Outward Opening Sash Installation

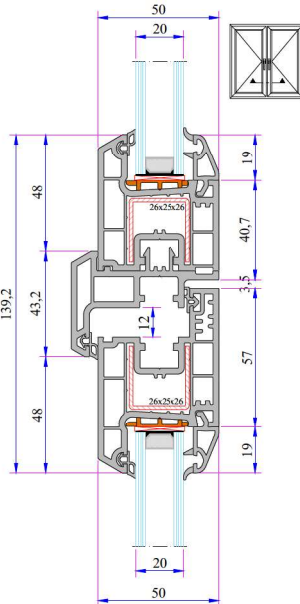


332 Frame - Outward Opening Sash Installation

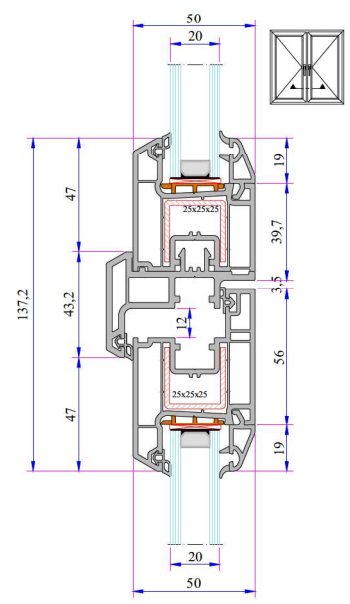
# W 330 - 332 SERIES PVC PROFILE SYSTEM



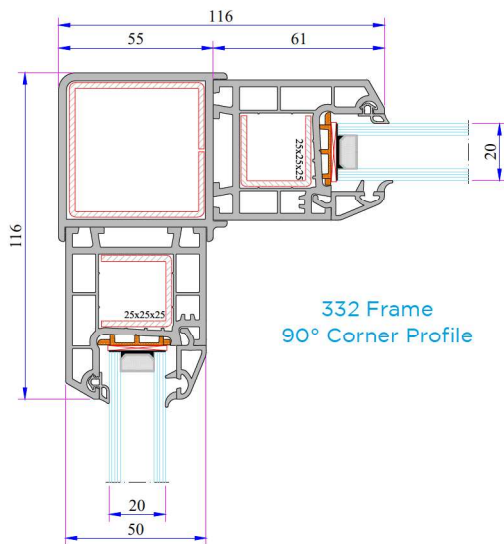
330 Frame - Door Sash Installation



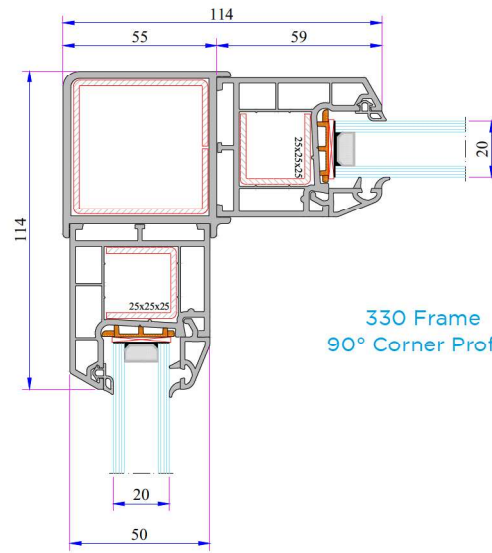
332 Sash - Lap Joint - Sash Installation



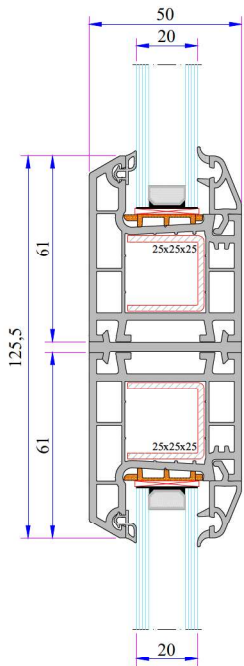
330 Sash - Lap Joint - Sash Installation



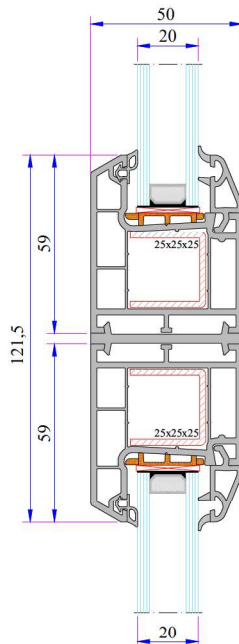
332 Frame 90° Corner Profile



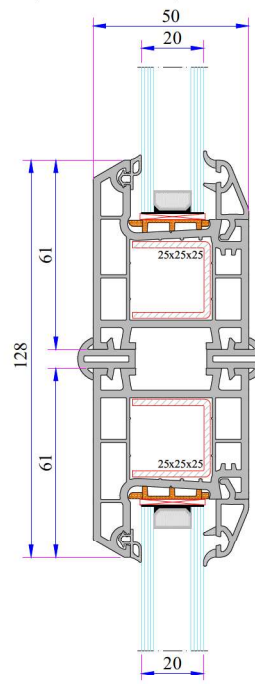
330 Frame 90° Corner Profile



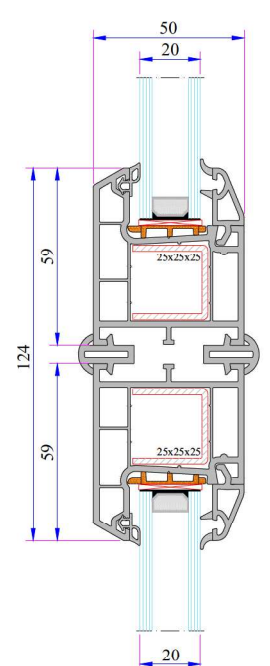
332 Frame - Narrow Coupling Profile



330 Frame - Narrow Coupling Profile



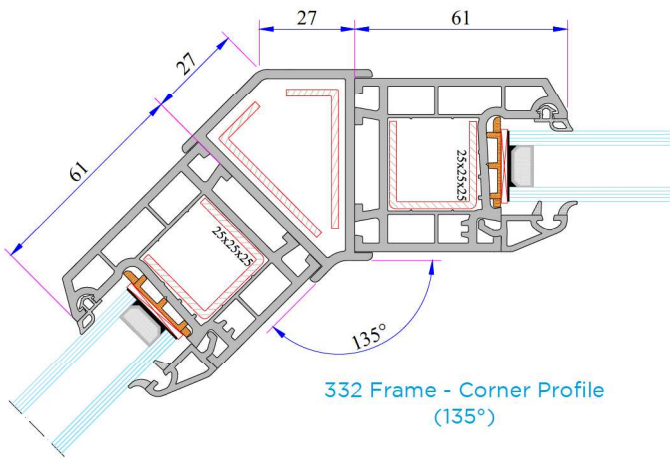
332 Frame - Short Coupling Profile



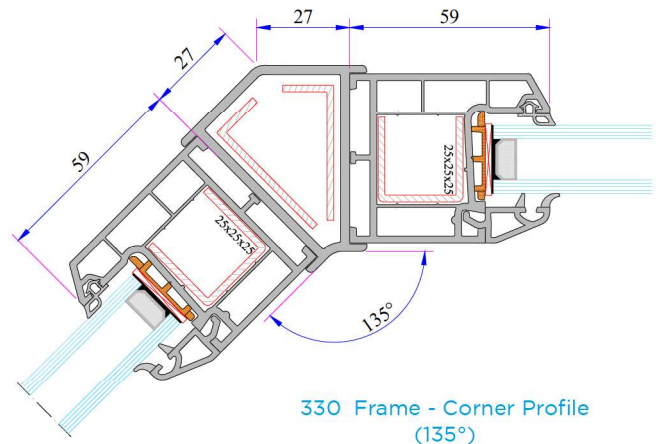
330 Frame - Short Coupling Profile



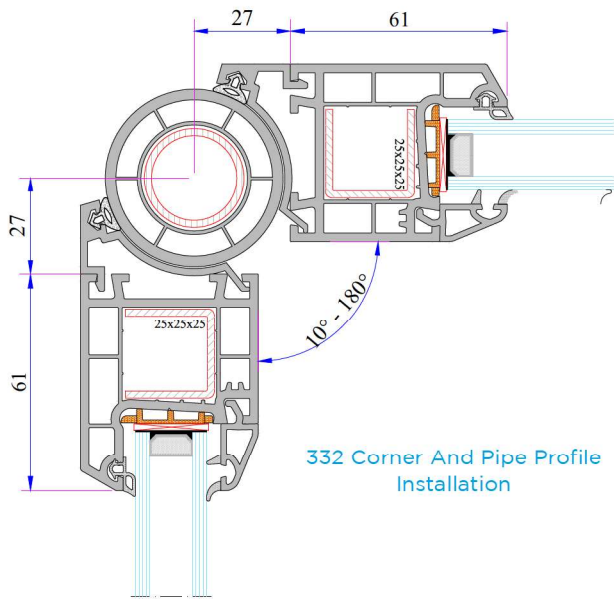
**W 330 - 332 SERIES  
PVC PROFILE SYSTEM**



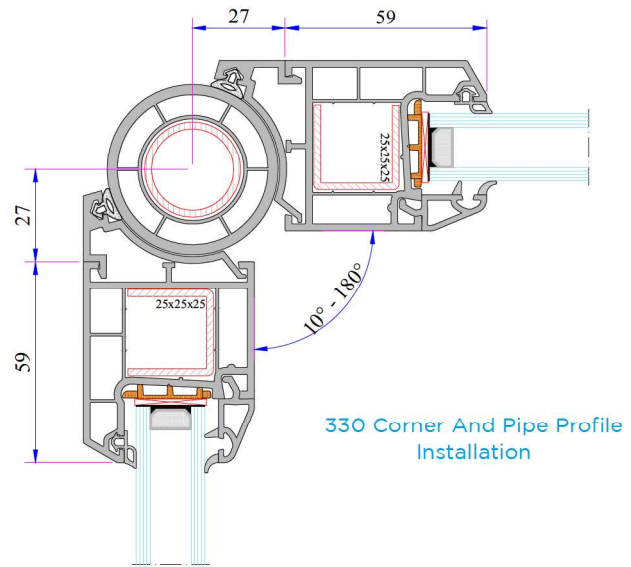
**332 Frame - Corner Profile  
(135°)**



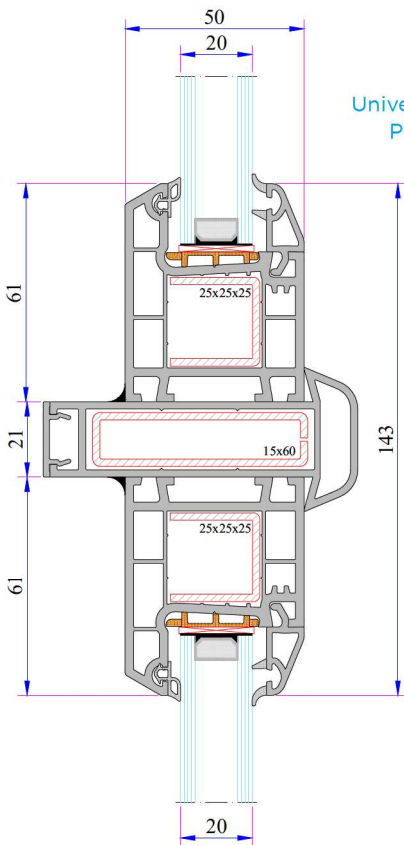
**330 Frame - Corner Profile  
(135°)**



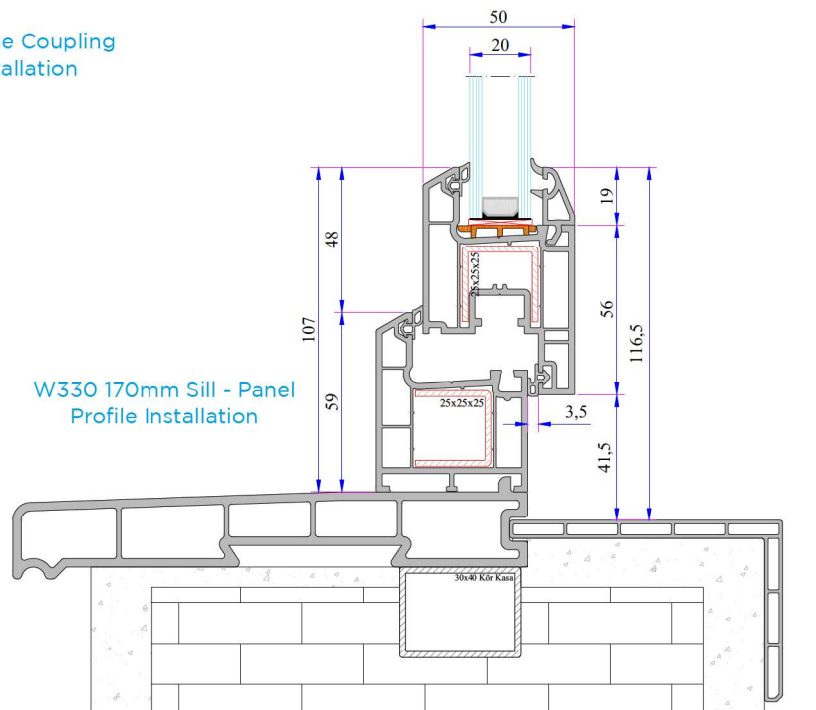
**332 Corner And Pipe Profile  
Installation**



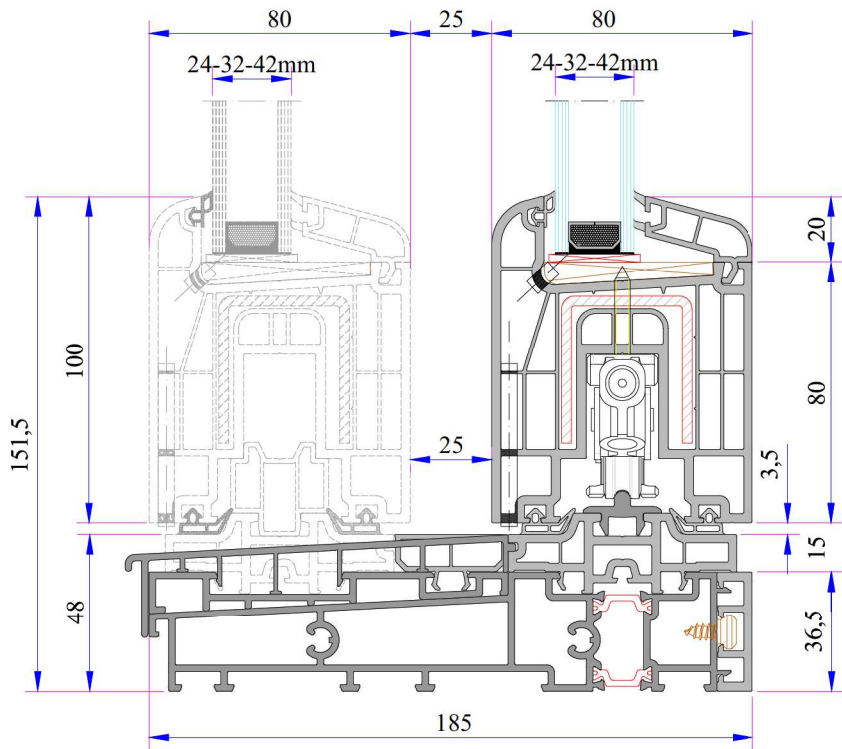
**330 Corner And Pipe Profile  
Installation**



**Universal Large Coupling  
Profile Installation**



**W330 170mm Sill - Panel  
Profile Installation**



## TECHNICAL

### W 880 HEBESCHIEBE SERIES

**Profile Width:** 185 mm frame, 80mm sash.

**Number of chambers:** 5 chambers system

**Profile Class:** A Class (TS EN 12608-1)  
RAL 716-GZ

**Seal Type:** External / Internal double seal system

**Seal Type and Color:** TPE - Grey /Black

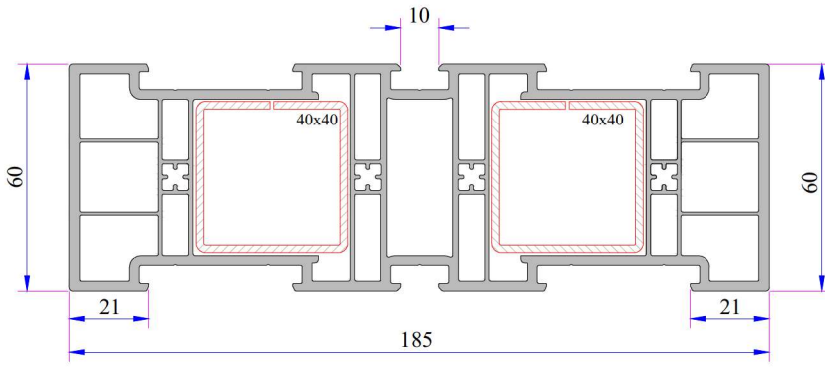
**Glass Thickness (mm):** 24, 32, 42 mm

**The thermal insulation Uf:** 1,5 W/m<sup>2</sup>K

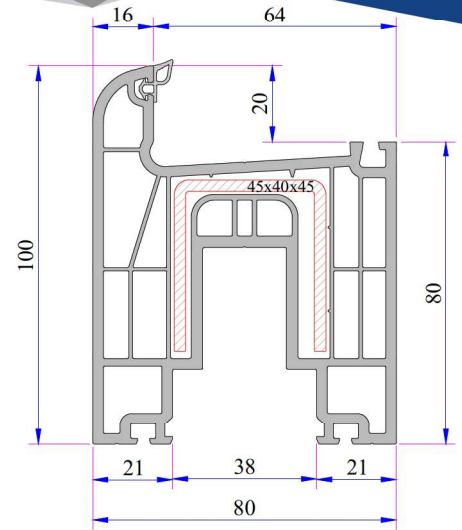
## INSTRUCTION

- 185 mm Frame, 80 mm sash profile combination.
- Because of the elastic grey and black seal which does not leave any stain on profiles will be provided maximum air, water, dust and sound isolation.
- Color range for laminated products.

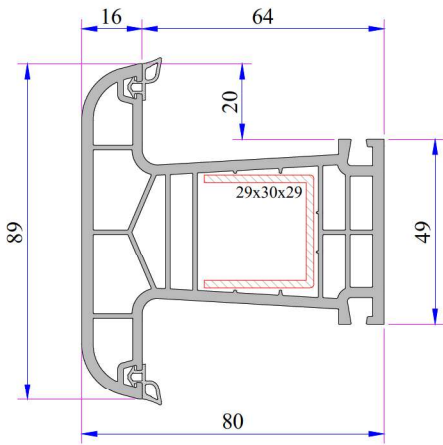
# W 880 HEBESCHIEBE SERIES PVC PROFILE SYSTEM



**Hebeschiebe Frame Profile**  
Code: P.A.930.1000.600.0.00.BC.03

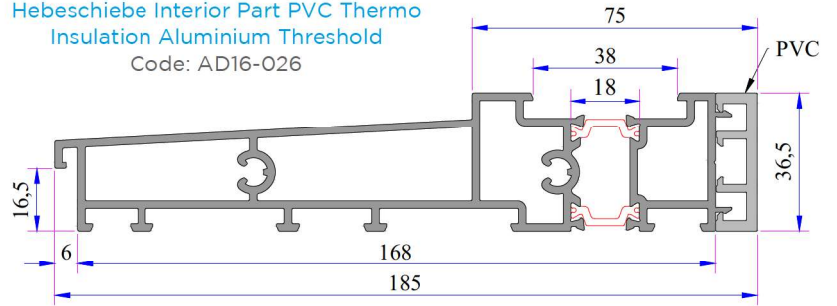


**Hebeschiebe Sash Profile**  
Code: P.A.930.2301.600.0.00.BC.03

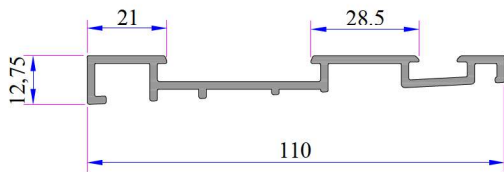


**800 Series Mullion Profile**  
Code: P.A.860.3000.600.0.BC.03

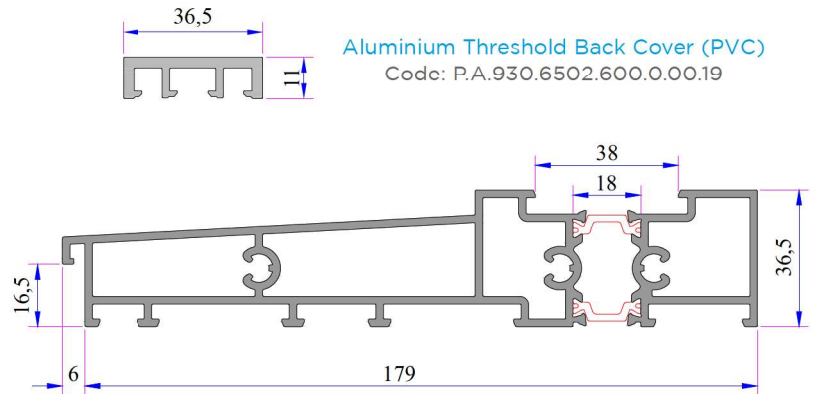
**Hebeschiebe Interior Part PVC Thermo Insulation Aluminium Threshold**  
Code: AD16-026



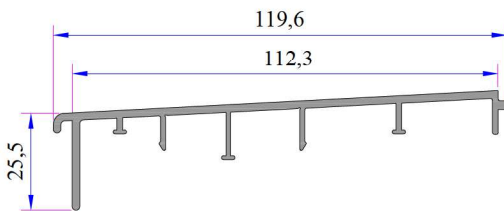
**Aluminium Threshold Back Cover (PVC)**  
Code: P.A.930.6502.600.0.00.19



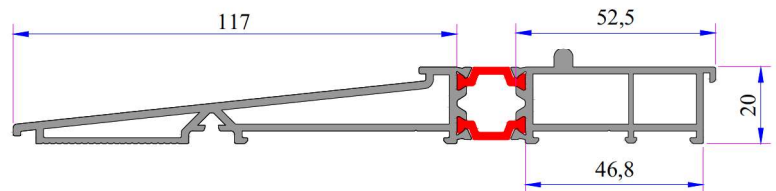
**Aluminium Threshold Second Sash Rail**  
Code: AD16-025



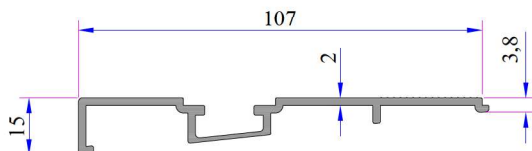
**Hebeschiebe Aluminium Threshold with Thermo Insulation**  
Code: AD16-027



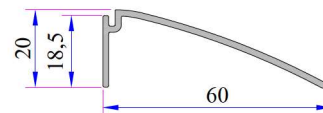
**Aluminium Threshold Cover**  
Code: AD16-024



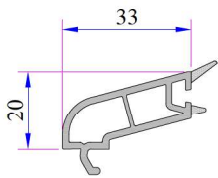
**Hebeschiebe Aluminium Threshold with Thermo Insulation 20mm (In Process)**



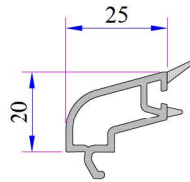
**Aluminium Threshold Second Sash Rail (In Process)**



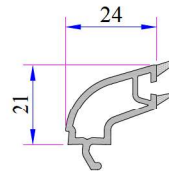
**20mm Threshold Inner Profile (In Process)**



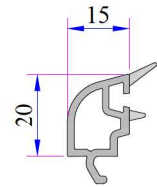
**Double Glazing Bead (24mm)**  
Code: P.A.800.4200.600.0.HC



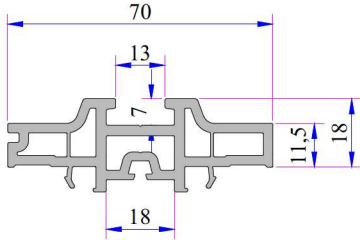
**Triple Glazing Bead (32mm)**  
Code: P.A.800.4500.600.0.HC



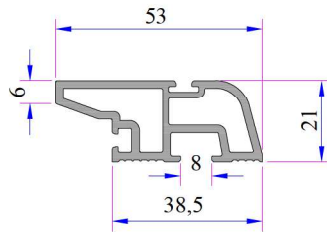
**Triple Glazing Bead (32mm)**  
Code: P.A.750.4204.600.0.HC



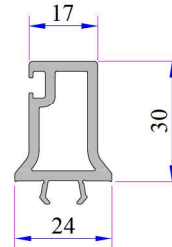
**Triple Glazing Bead (42mm)**  
Code: P.A.800.4600.600.0.HC



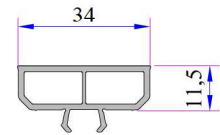
**Hebeschiebe Sash and Rail Adaptor**  
Code: P.A.930.6500.600



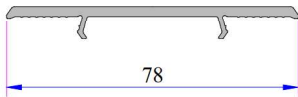
**Hebeschiebe Sash Lap Strip Profile**  
Code: P.A.930.6504.600



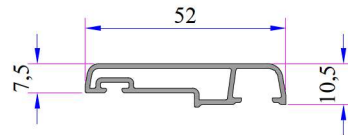
**Hebeschiebe Frame Middle Adaptor**  
Code: P.A.900.6503.600



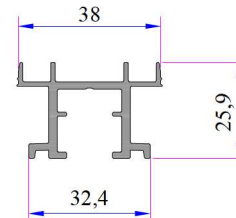
**Hebeschiebe Sash Frame Middle Channel Cover**  
Code: P.A.930.6505.600



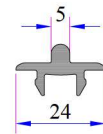
**Hebeschiebe Sash Back & Frame Channel Cover**  
Code: P.A.930.6506.600



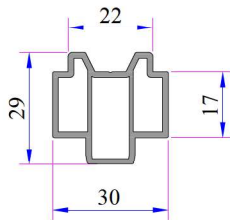
**Frame Out Cornice Alm.**  
Code: AD16-022



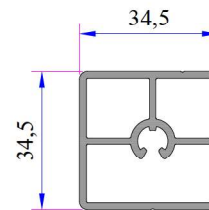
**Frame Top Rail Aluminium**  
Code: AD16-019



**Sash Lower Rail Aluminium**  
Code: AD16-020

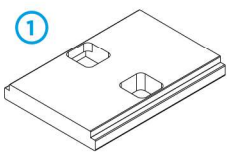


**Stable Guide For Sash Aluminium**  
Code: AD16-021

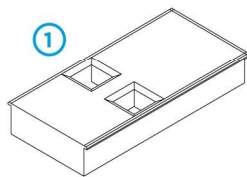


**Frame Internal Puller Aluminium (8cm)**  
Code: AD16-023

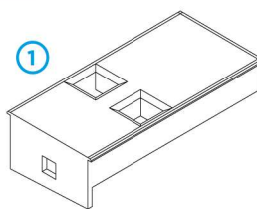
## Hebeschiebe Set Accessories



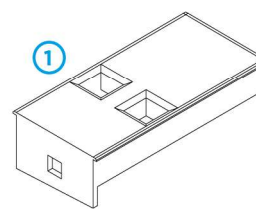
**PVC Ve Alm. Lower Frame Corner Connection**



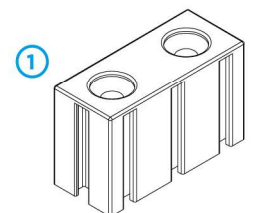
**Multi Sash Below Part Impermeability**



**Double Sash Lower Middle Right Part Impermeability**



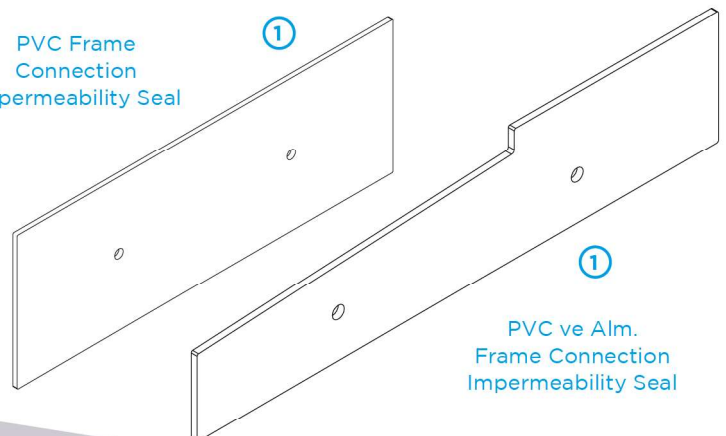
**Double Sash Lower Middle Part Impermeability**



**Frame - Sash Upper Middle Impermeability**

- ① 34068-20110 ALUMINIUM FRAME SET RIGHT WHITE
- ① 34068-20111 ALUMINIUM FRAME SET RIGHT BLACK
- ① 34068-20120 ALUMINIUM FRAME SET LEFT WHITE
- ① 34068-20121 ALUMINIUM FRAME SET LEFT BLACK
- ① 34068-20130 PVC FRAME SET WHITE
- ① 34068-20131 PVC FRAME SET BLACK

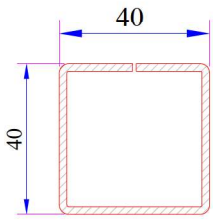
**PVC Frame Connection Impermeability Seal**



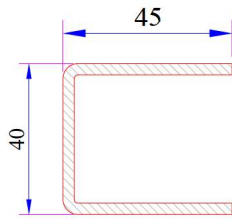
**PVC ve Alm. Frame Connection Impermeability Seal**

# W 880 HEBESCHIEBE SERIES PVC PROFILE SYSTEM

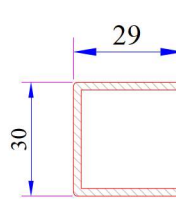
## W 880 Hebeschiebe Re-Inforcement Profiles



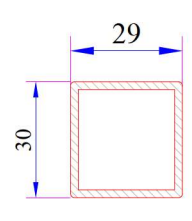
Hebeschiebe Frame Profile Reinforcement  
Code: 34022-20110



Hebeschiebe Sash Profile Reinforcement  
Code: 34022-25001

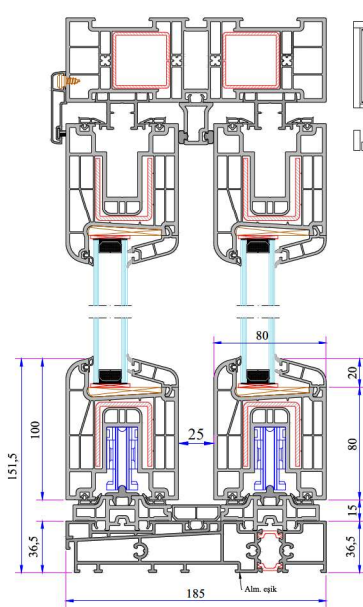


Mullion Profile Reinforcement  
Code: 34022-15002

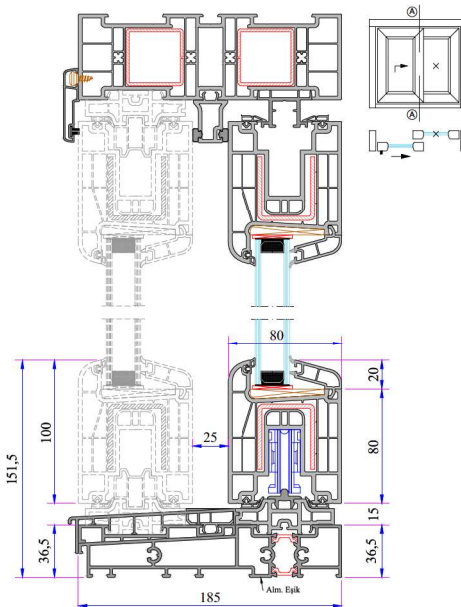


Mullion Profile Static Reinforcement  
Code: 34022-15129

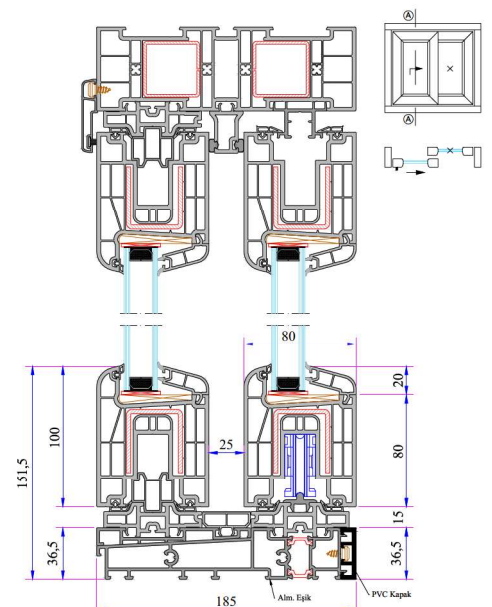
## W 880 Hebeschiebe Installation



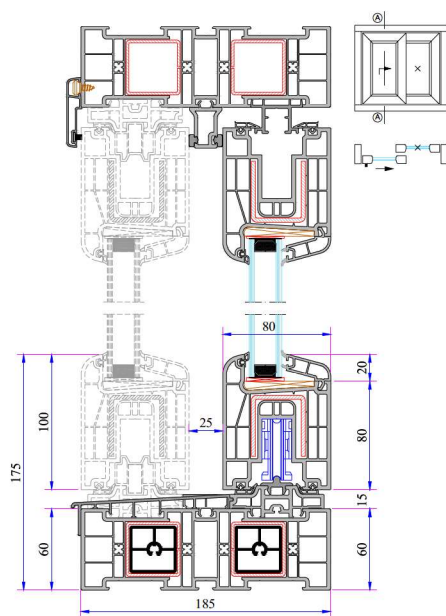
Sliding Double Sash - Aluminium Threshold Installation



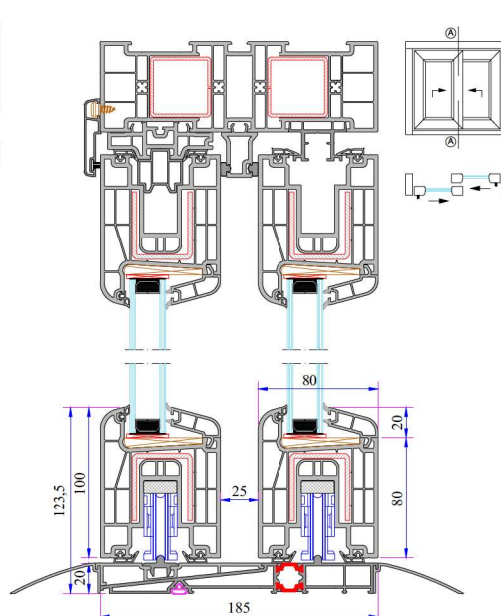
Single Sash Sliding - Lower Sill Aluminium Installation



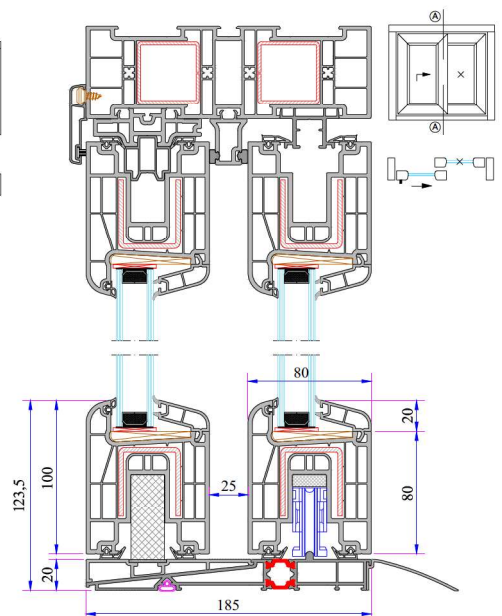
Single Sash Sliding - Lower Sill Aluminium - PVC Cover Installation



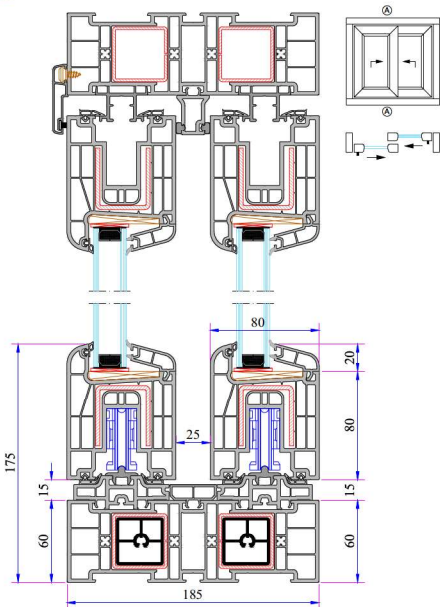
Single Sash Sliding Lower Sill PVC Installation



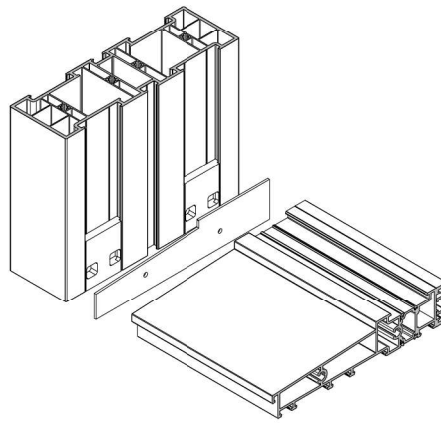
Double Sash Sliding - Lower Sill 20mm Aluminium Installation



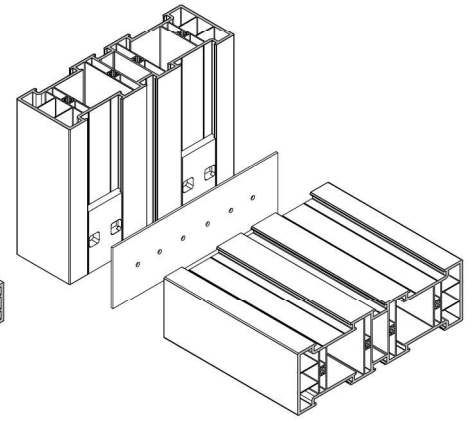
Single Sash Sliding - Lower Sill 20mm Aluminium Installation



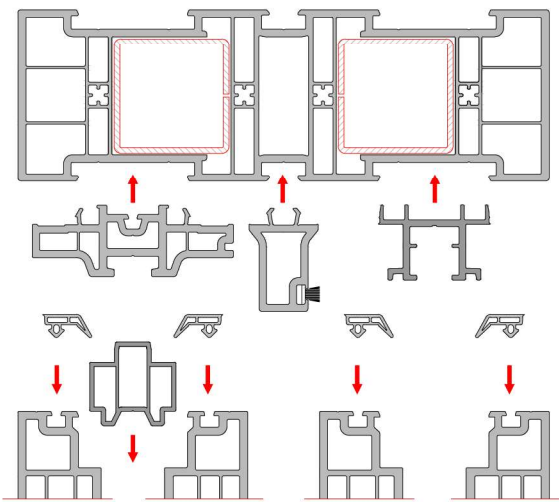
Double Sash Sliding - PVC Frame Installation



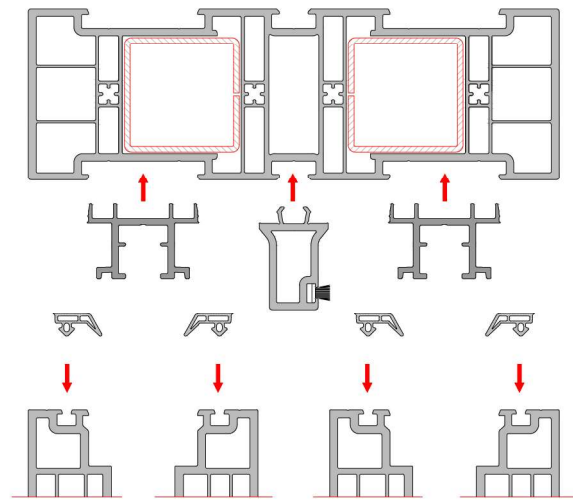
Frame - Alm. Threshold Connection Installation



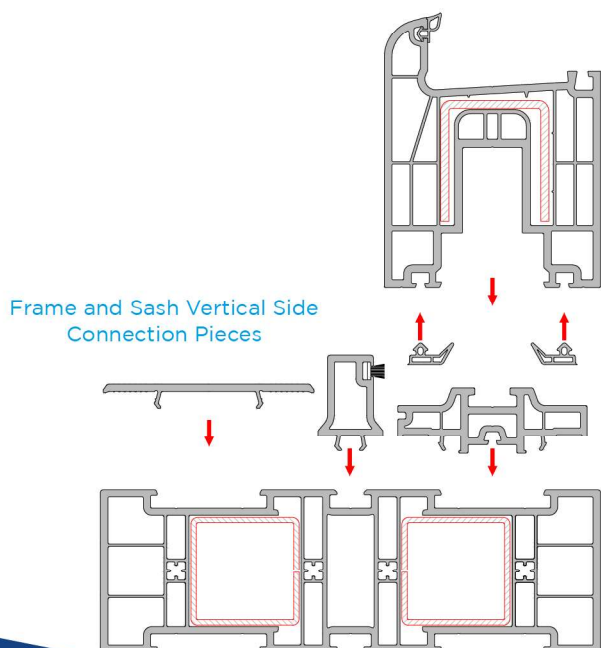
Frame Corner Connection Installation



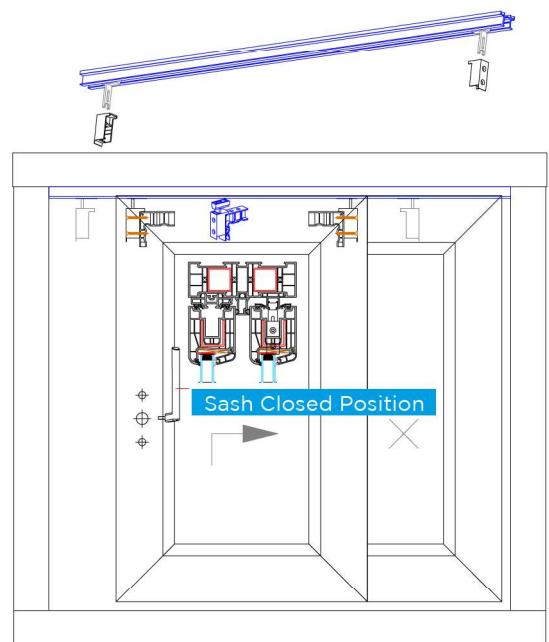
1 Sliding Sash System - Frame and Sash Installation



2 Sliding Sash System - Frame and Sash Installation

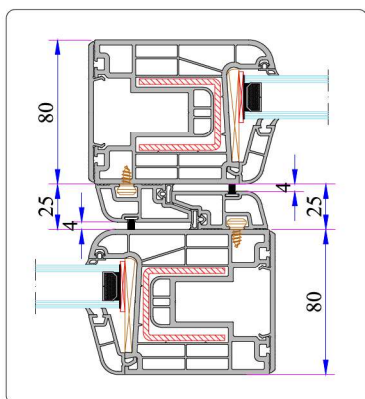


Frame and Sash Vertical Side Connection Pieces

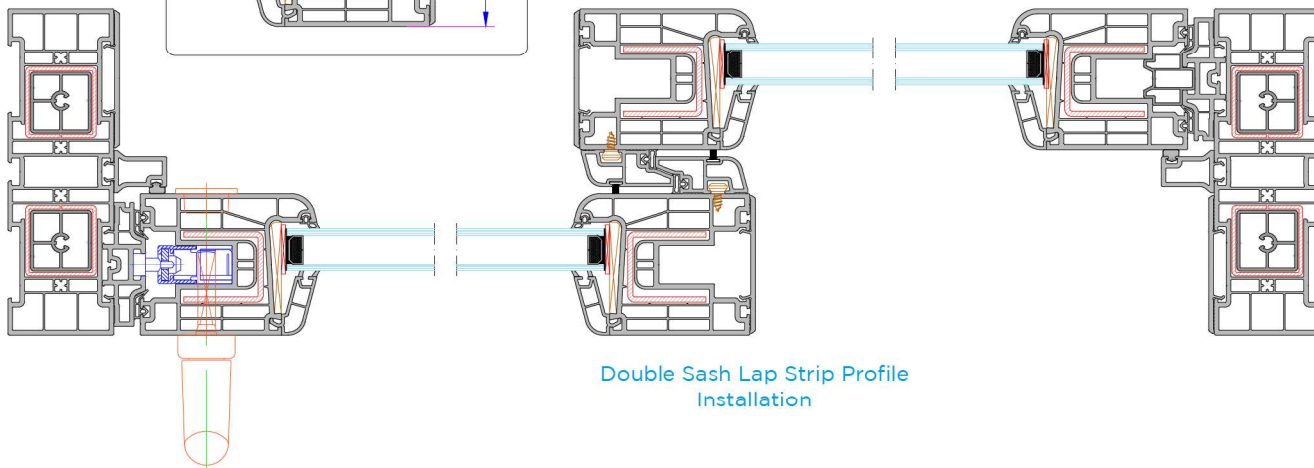
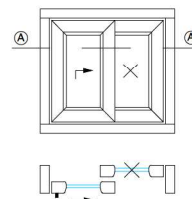


Top Rail Connection

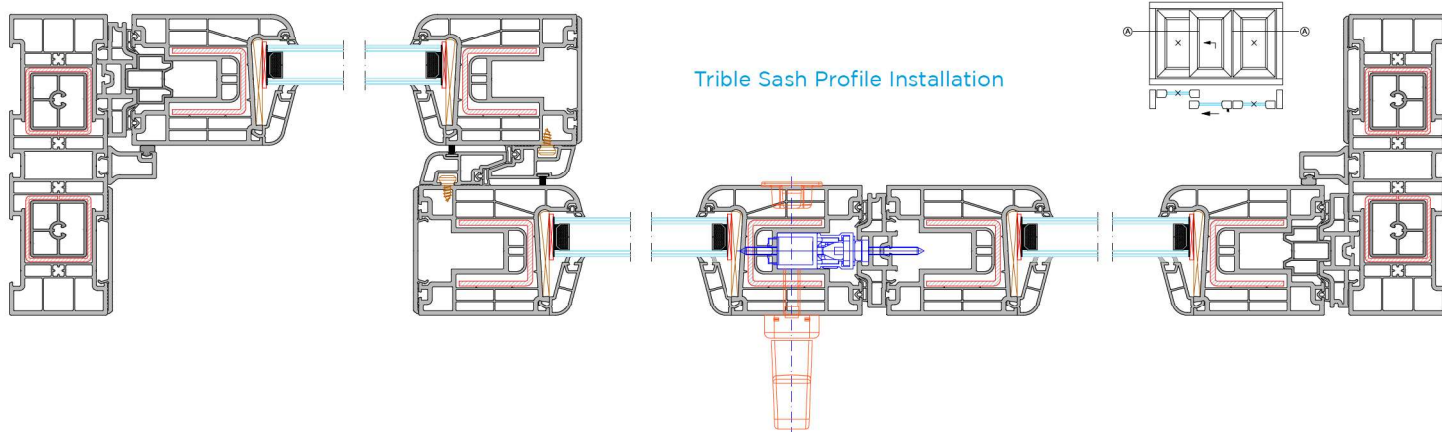
# W 880 HEBESCHIEBE SERIES PVC PROFILE SYSTEM



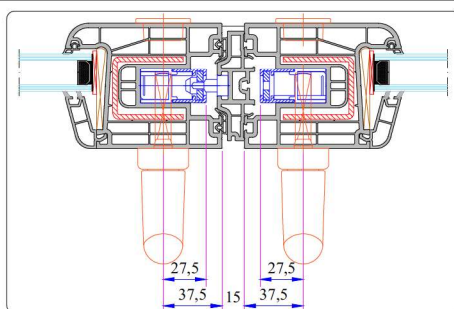
Sash Lap Strip Profile Installation



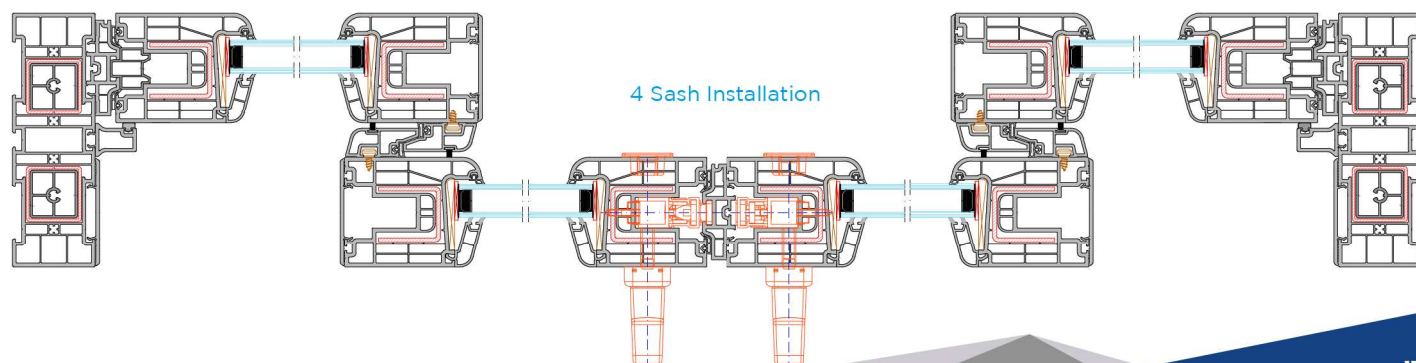
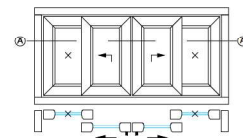
Double Sash Lap Strip Profile Installation



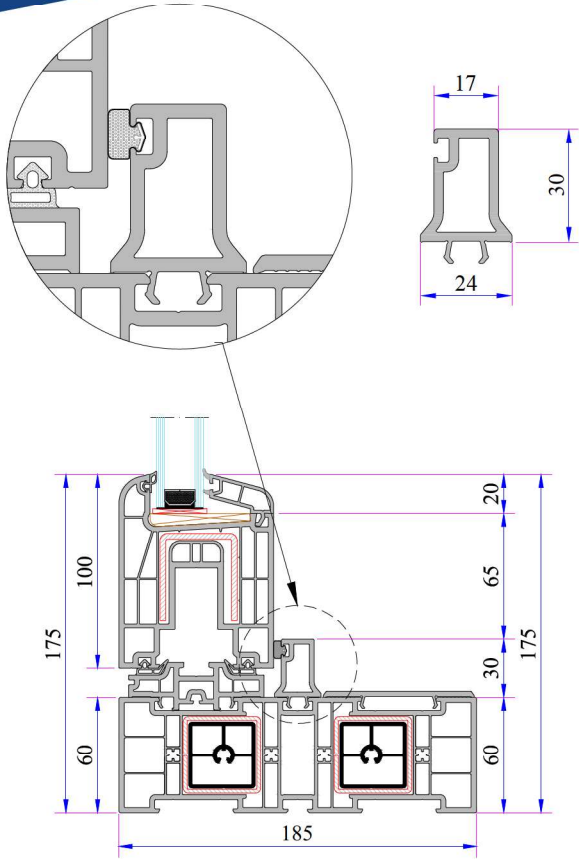
Trible Sash Profile Installation



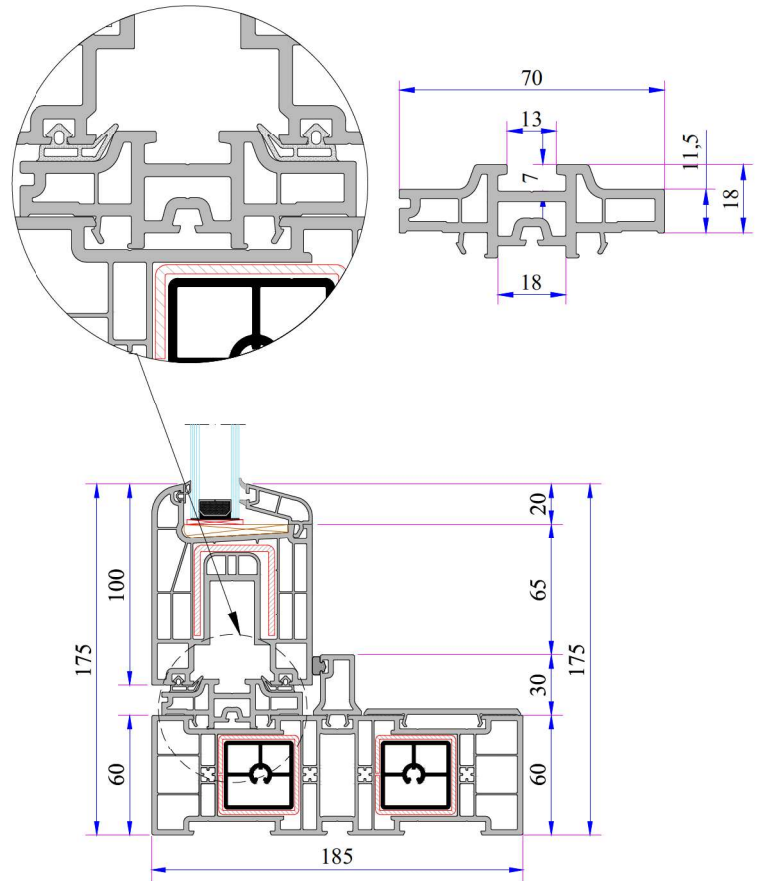
Sash and Rail Adaptor Installation



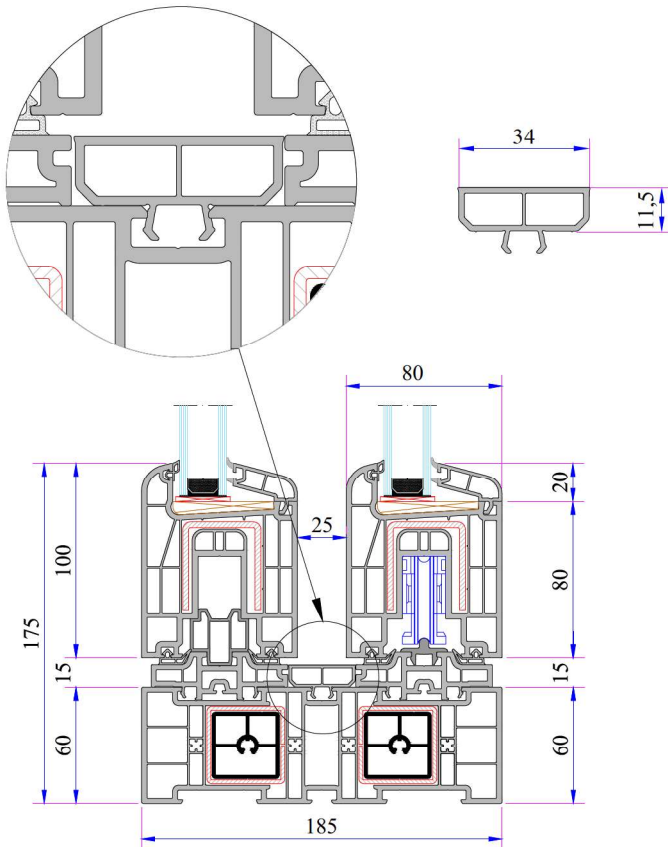
4 Sash Installation



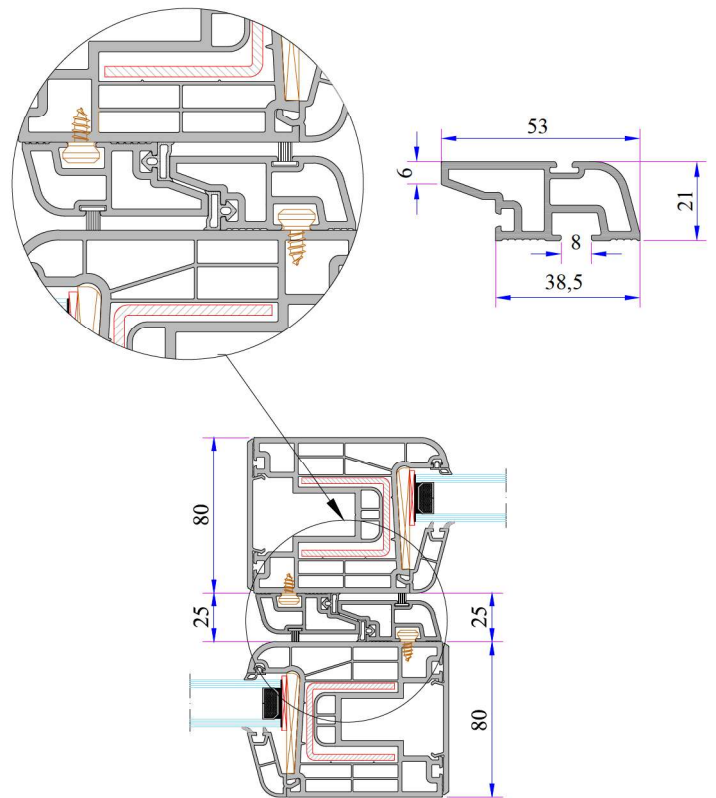
Hebeschiebe Frame Middle Adaptor Installation



Hebeschiebe Sash and Rail Adaptor Installation



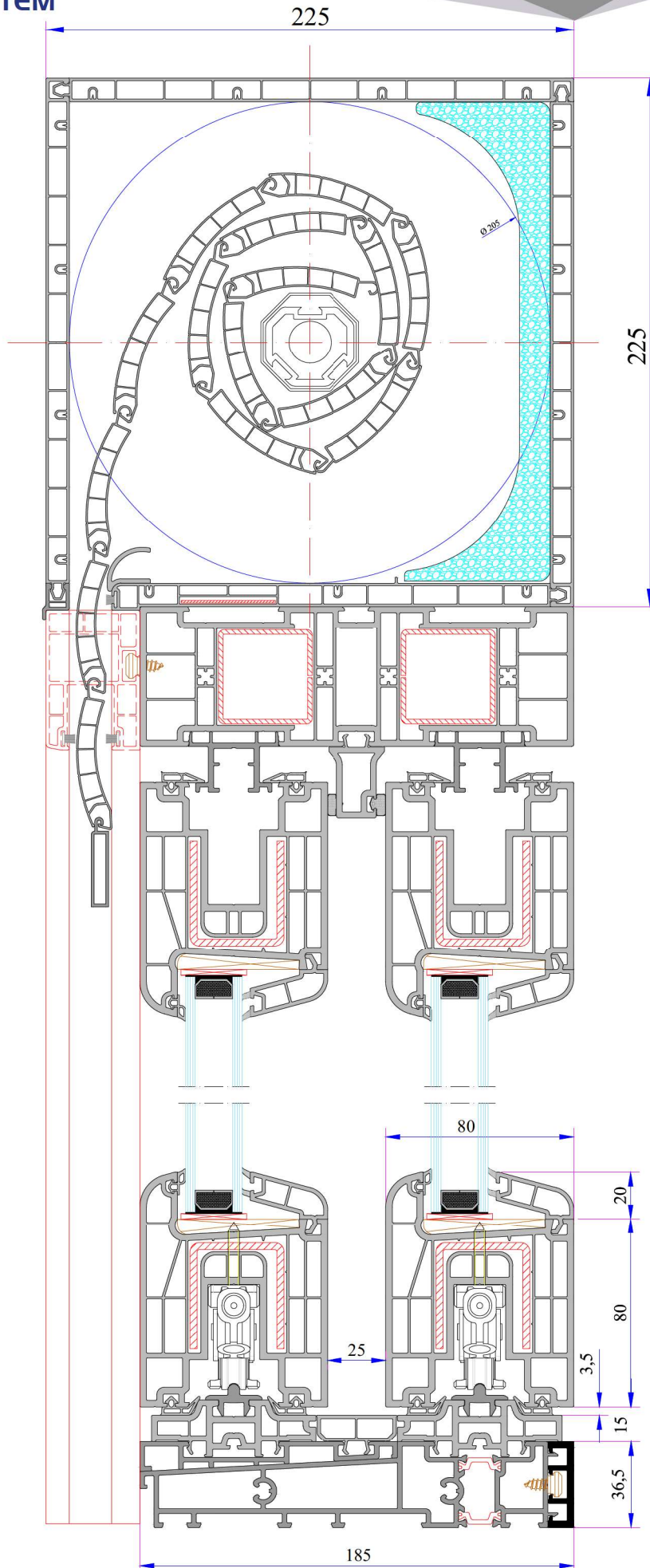
Hebeschiebe Sash Frame Middle Channel Cover Installation



Hebeschiebe Sash Lap Strip Profile Installation

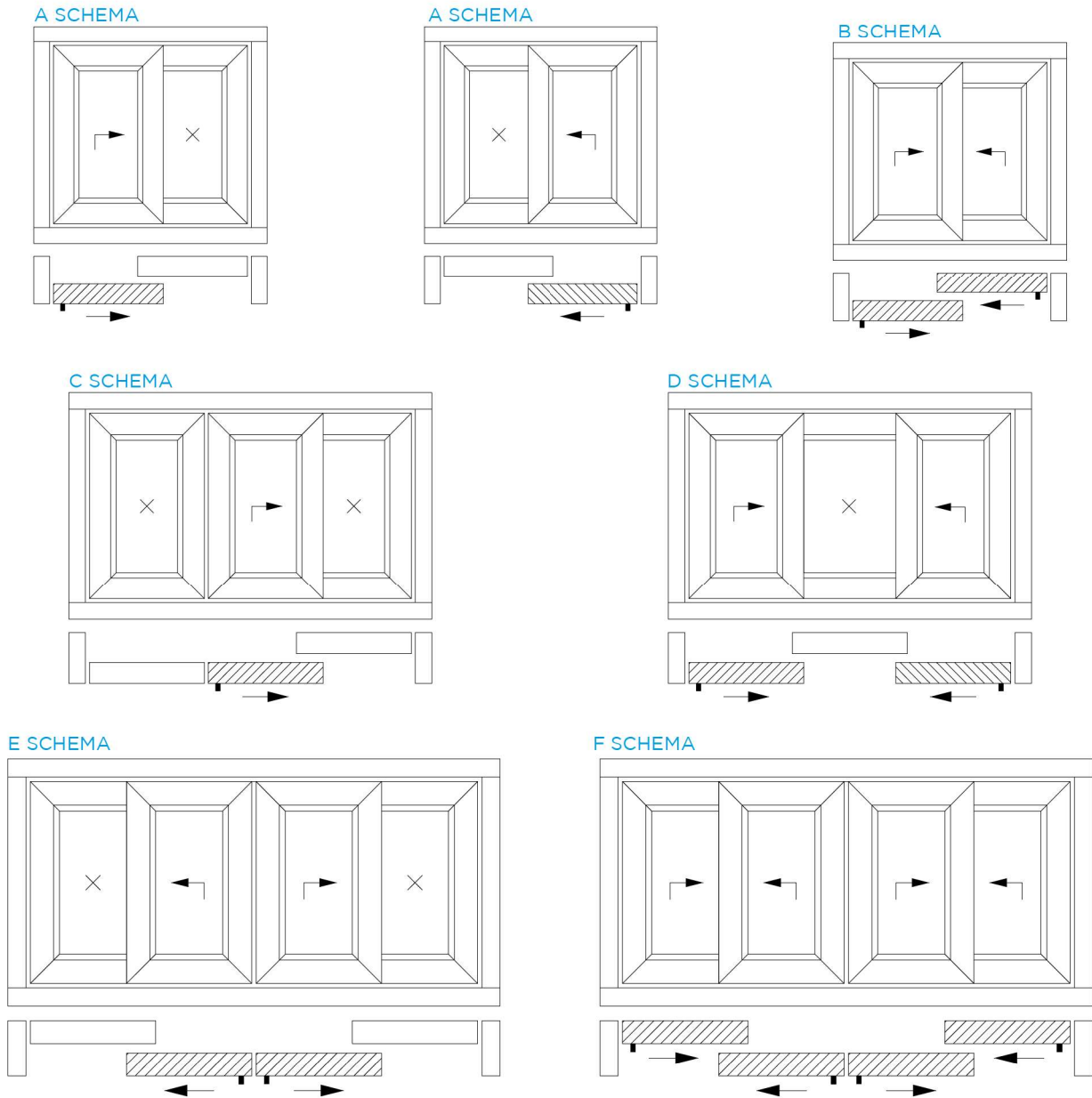


W 880 HEBESCHIEBE SERIES  
PVC PROFILE SYSTEM



225x225 Roller Shutter Box Application In Hebeschiebe Sliding System  
(55-37-39-40mm Slip Applicable)

THE APPLICATIONS OF HEBESCHIEBE SYSTEM



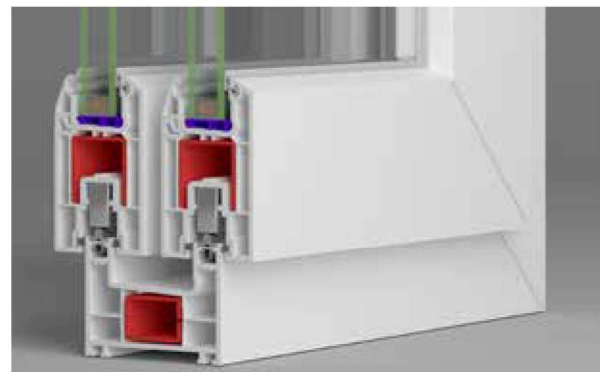
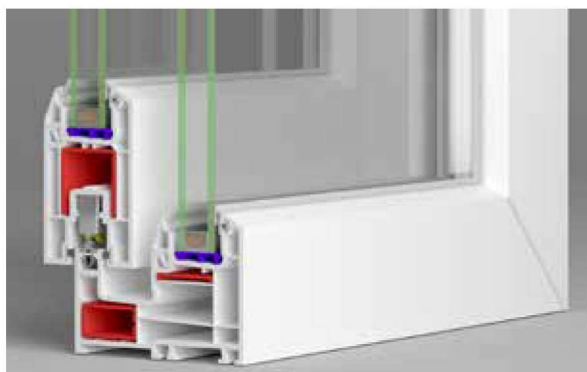
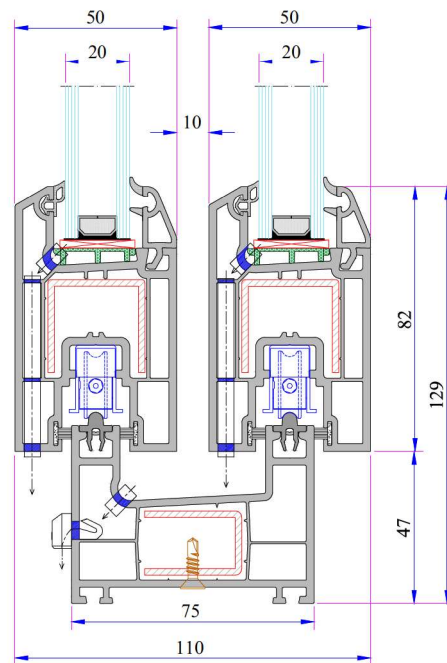
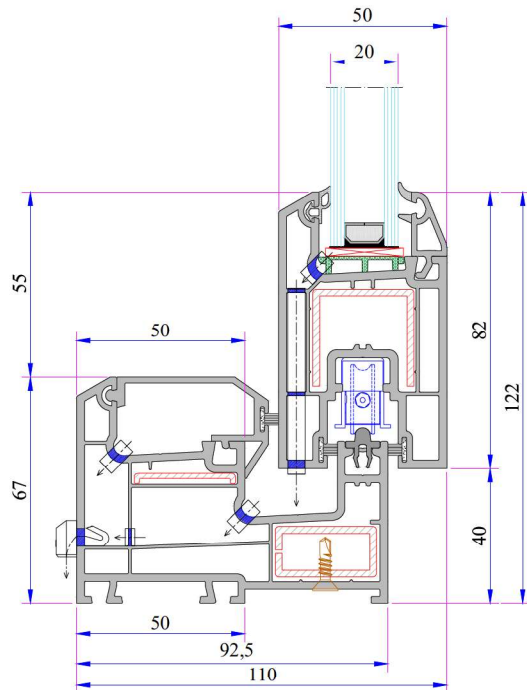
W 880 MAXIMUM MEASUREMENT

For W 880 series Windows, the maximum installation measurements (width/ height) are written on below chart. The specified measurements can not be exceeded.

Description	White Profile		Colored Profile	
	(A - B) Double Sash	(C-D-E-F) Multi Sash	(A - B) Double Sash	(C-D-E-F) Multi Sash
Width (m)	6 m	6,5 m	5 m	6,5 m
Height (m)	2.7 m	2.7 m	2.4 m	2.4 m
Space of Glass (m <sup>2</sup> )	6.5 m <sup>2</sup> x 2	-	5.5 m <sup>2</sup> x 2	-
Surface Area of Window (m <sup>2</sup> )	16.2 m <sup>2</sup>	17,5 m <sup>2</sup>	12 m <sup>2</sup>	15,6 m <sup>2</sup>

The accessories of the system can handle (include also glass) maximum 300 kg. If the sash weight is more than 400 kg it, has to be used necessary accessories for this weight.





## TECHNICAL

### W 232 DOUBLE AND SINGLE RAIL SLIDING SERIES

**Profile Width:** 75 mm double rail frame, 92,5 mm single rail frame and 50 mm sliding system sash profile.

**Number of chambers:** 3 chambers system

**Profile Class:** B Class (TS EN 12608-1)

**Seal Type:** The insulated bristle wick system

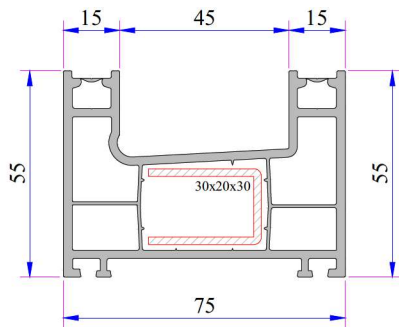
**Seal Type and Color:** TPE - Grey /Black

**Glass Thickness (mm):** 4 - 6, 20, 24 mm

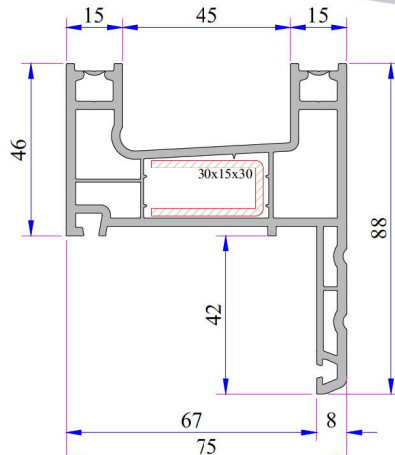
## INSTRUCTION

- 75 mm profile width with double railed frame and 92,5 mm width single rail alternative frame and 50 mm width of sash profile.
- Perfect thermal, sound and water isolation because of the 3 chambers system.
- The medium locked sash with a seal system.
- Application of single glaze 4-6 mm and insulating glass 20, 24 mm by grey sealed glazing beads in different thickness.
- Application with roller shutter and without roller shutter choices.
- Wooden designed laminated applications.

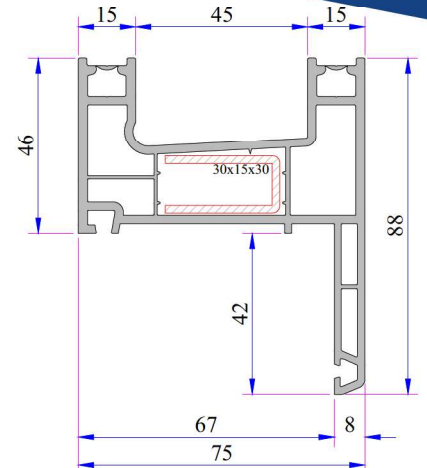
# W 232 RAIL SERIES PVC PROFILE SYSTEM



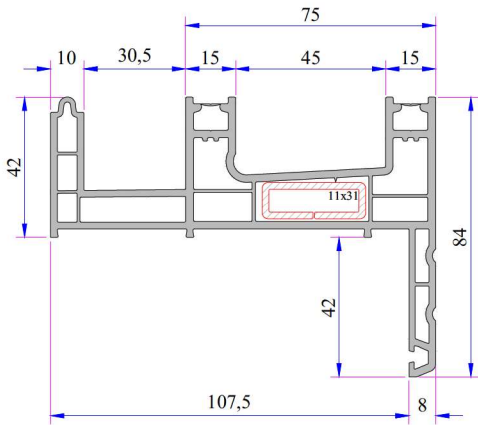
**Frame Profile (Double Rail)**  
Code: P.A.232.1106.600.0.00.03



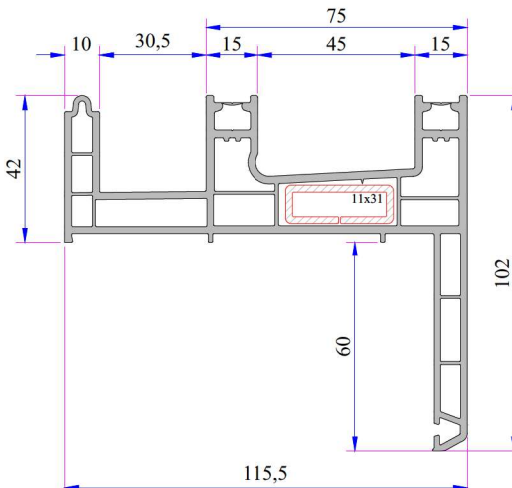
**Frame Profile With Sill (Decorative)**  
Code: P.A.232.1107.600.0.00.03



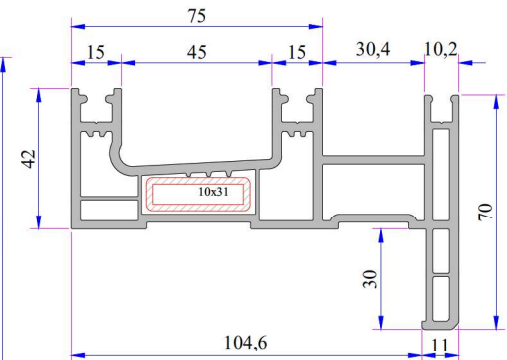
**Frame Profile With Flat Sill**  
Code: P.A.232.1110.600.0.00.03



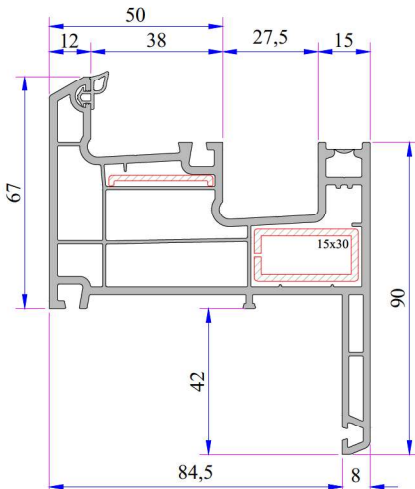
**Frame Profile With Fly - Screen & Sill**  
Code: P.A.232.1109.600.0.00.03



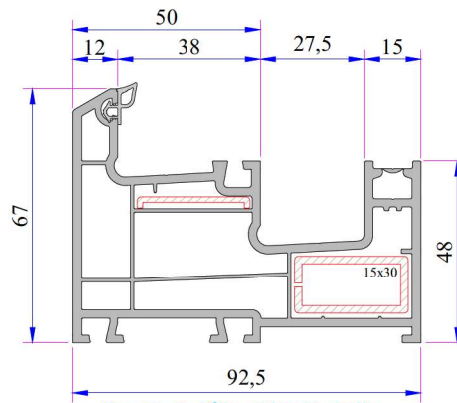
**Double Rail Frame Profile With Fly - Screen 60 mm Sill**  
Code: P.A.232.1115.600.0.BC.03



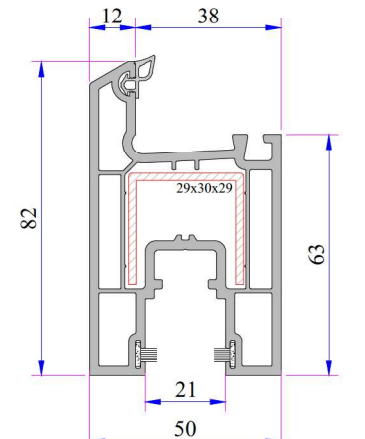
**Frame Profile With Internal Fly-Screen**  
Code: P.A.242.1104.600.0.00.03



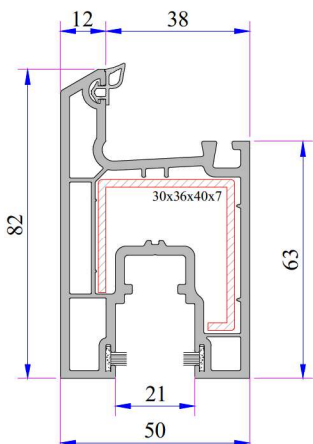
**Frame Profile With Sill (Single Rail)**  
Code: P.A.232.1114.600.0.00.03



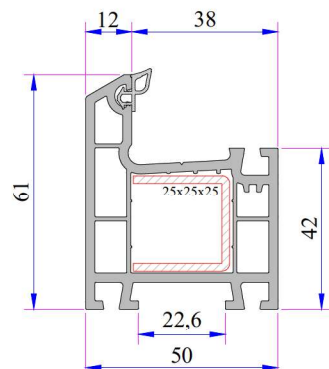
**Frame Profile (Single Rail)**  
Code: P.A.232.1105.600.0.BC.03



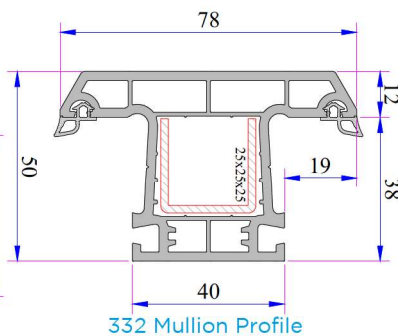
**Sliding System Sash Profile**  
Code: P.A.232.2300.600.0.BC.03



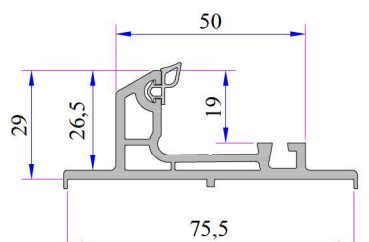
**Sliding System Sash Profile (Static)**  
Code: P.A.232.2308.111.0.BC.01



**332 Frame Profile**  
Code: P.A.332.1000.600.0.BC.03

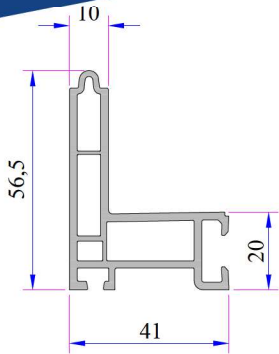


**332 Mullion Profile**  
Code: P.A.332.3000.600.0.BC.03

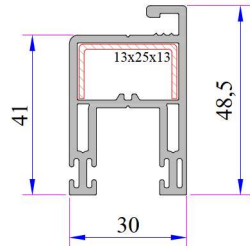


**Double Rail Adaptor Profile**  
Code: P.A.232.5800.600.0.BC.19

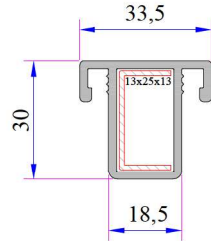
# W 232 RAIL SERIES PVC PROFILE SYSTEM



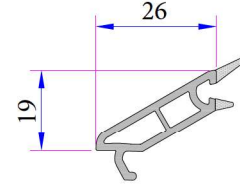
**Screen Adaptör Profile**  
Code: P.A.232.5802.600.0.00.19



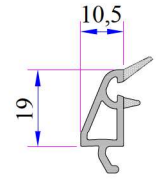
**Fly-Screen Sash Profile**  
Code: P.A.242.2305.600.0.00.03



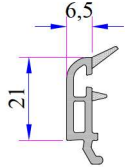
**Fly-Screen Mullion Profile**  
Code: P.A.242.3200.600.0.00.03



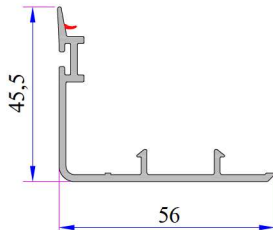
**Single Glazing Bead (4mm)**  
Code: P.A.332.4000.600.0.HC



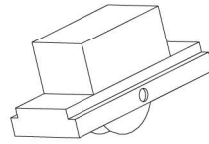
**Double Glazing Bead (20mm)**  
Code: P.A.332.4100.600.0.HC



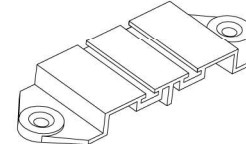
**Double Glazing Bead (24mm)**  
Code: P.A.532.4500.600.0.HC



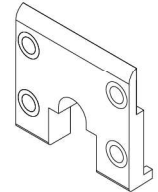
**Sash Cover Profile**  
Code: P.A.222.8700.600



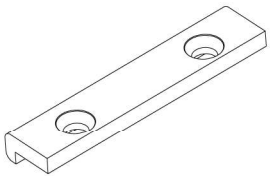
**Sliding Roller Plastic**  
Code: 34009-17010



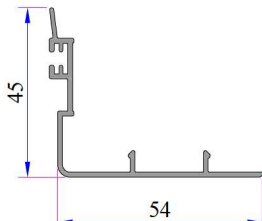
**Sealing Bit Single Rail**  
Code: 34009-26020



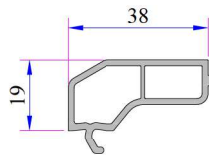
**Sliding Sash End Bit**  
Code: 34009-46010



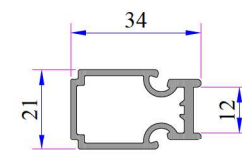
**Upper bedding Piece for Sliding Rail**  
Code: 34009-36010



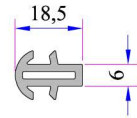
**Alm. Sash Cover Profile**  
Code: 16051.601.5.1.1.9016



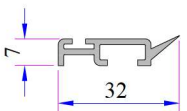
**PVC Cover Profile**  
Code: P.A.232.5702.600



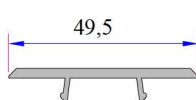
**Alm. Double Rail Adaptor Profile**  
Code: AD16-011 (White)



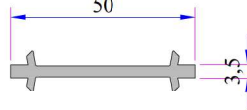
**Short Coupling Profile**  
Code: P.A.099.5003.600



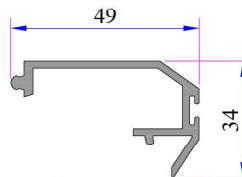
**Lap Strip Profile**  
Code: P.A.232.5301.600



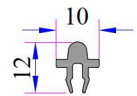
**PVC Sash Cover Profile**  
Code: P.A.232.5704.600



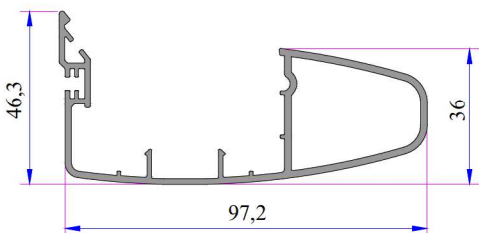
**Narrow Coupling Profile**  
Code: P.A.050.5001.600



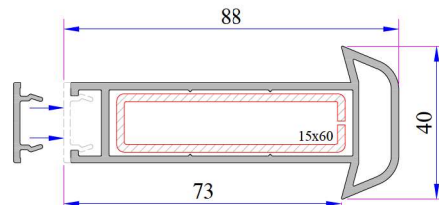
**Alm. Cover Profile**  
Code: 16013.601.5.2.0.0000



**Alm. Sliding Rail Profile**  
Code: 16014.601.5.0.0.0000



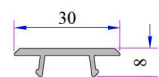
**Sash Cover Grillage Profile**  
Code: 16028.601.5.2.0.0000



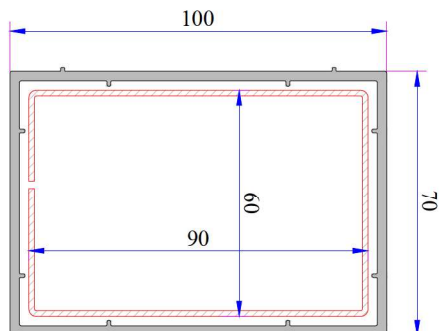
**Universal Large Coupling Profile**  
Code: P.A.058.5000.600.0.19



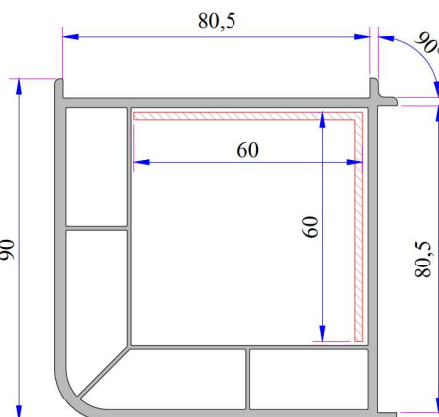
**Universal Large Coupling Cover Profile**  
Code: P.A.058.5707.600.0.00.19



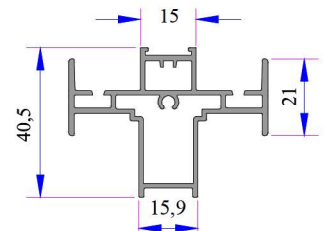
**Screen Sash Cover Profile**  
Code: P.A.242.5701.600



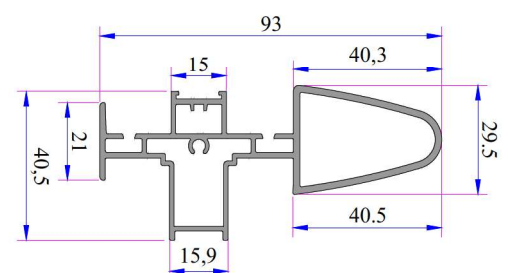
**Box Profile (70x100)**  
Code: P.A.070.5202.600.0.00.19



**90° Corner Profile**  
Code: P.A.080.5100.600.0.00.19 (White)



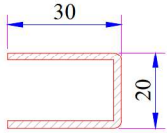
**With Alum. Lug Double Sash Middle Adaptor (In Process)**



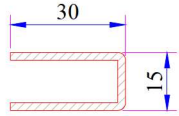
**With Alum. Grillage Double Sash Middle Adaptor (In Process)**

# W 232 RAIL SERIES PVC PROFILE SYSTEM

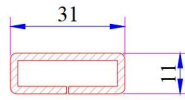
## W 232 Re-Inforcement Profiles



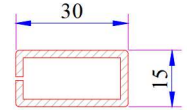
Double Rail Frame Profile Reinforcement  
Code: 34022-12006



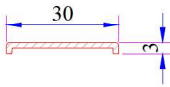
Frame Profile with Sill - Frame Profile with Flat Sill Reinforcement  
Code: 34022-12034



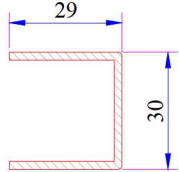
Frame With Fly-Screen & Sill Reinforcement  
Code: 34022-12107



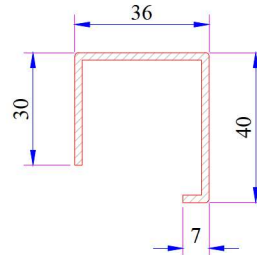
Frame Profile (Single Rail) - Frame Profile With Sill (Single Rail) Reinforcement  
Code: 34022-12125



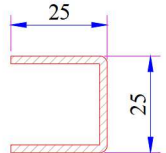
Frame Profile (Single Rail) - Frame Profile With Sill (Single Rail) Reinforcement  
Code: 34022-12035



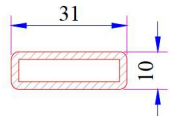
Sliding System Sash Profile Reinforcement  
Code: 34022-12002



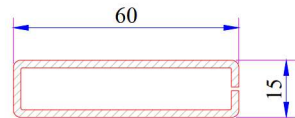
Sliding System Sash Profile (Static) Reinforcement  
Code: 34022-12036



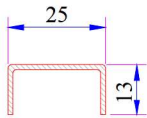
332 Frame - Mullion Profile Reinforcement  
Code: 34022-12003



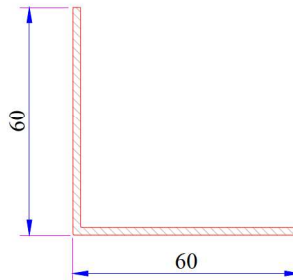
Frame With Internal Fly-Screen Reinforcement  
Code: 34022-12107



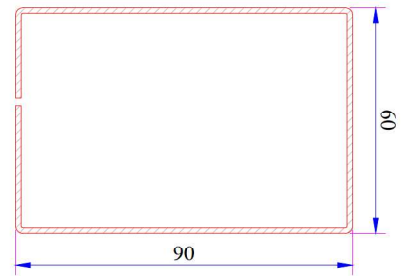
Universal Large Coupling Profile Reinforcement  
Code: 34022-12123



Fly-Screen Sash - Fly-Screen Mullion Profile Reinforcement  
Code: 34022-12008

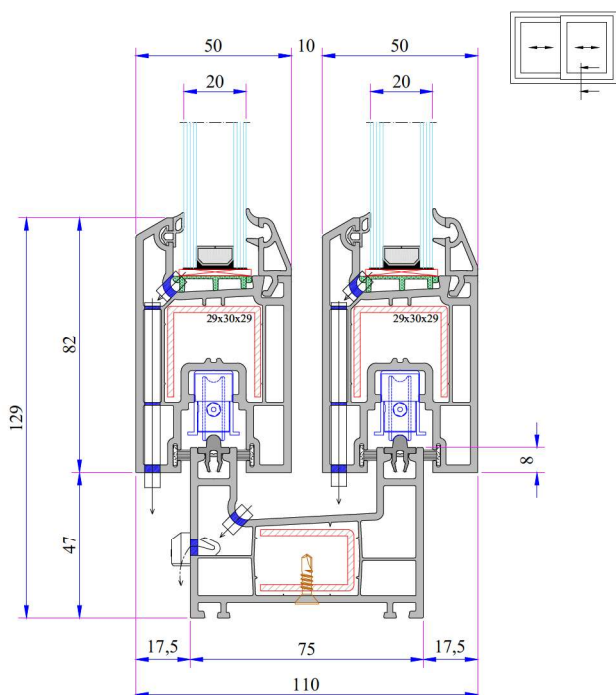


90° Corner Profile Reinforcement  
Code: 34022-12306

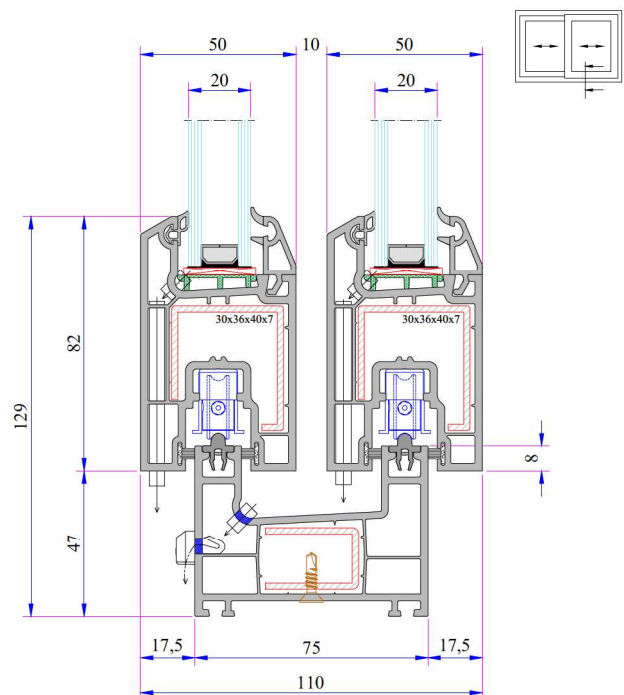


Box Profile Reinforcement  
Code: 34022-12121

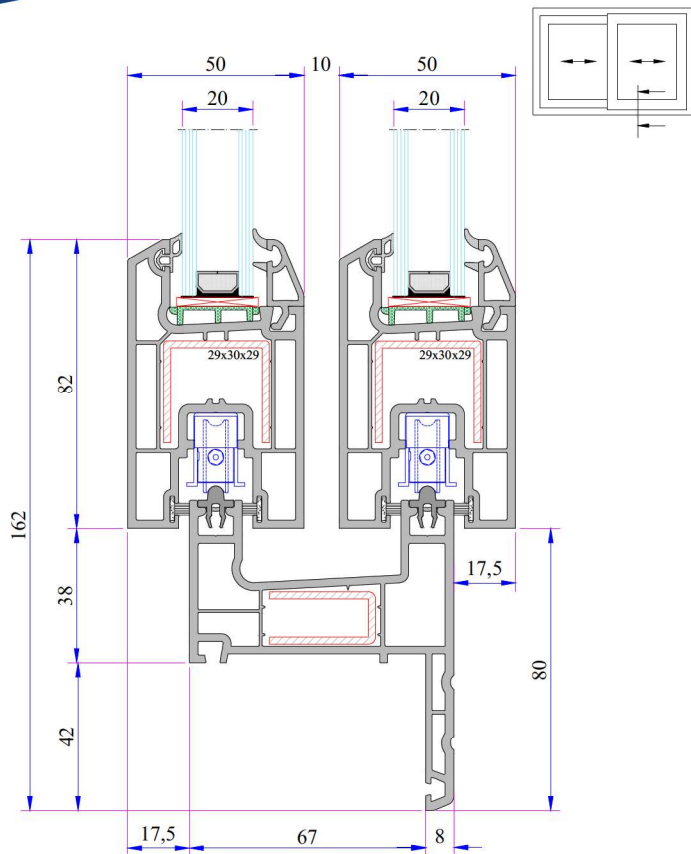
## W 232 Installation



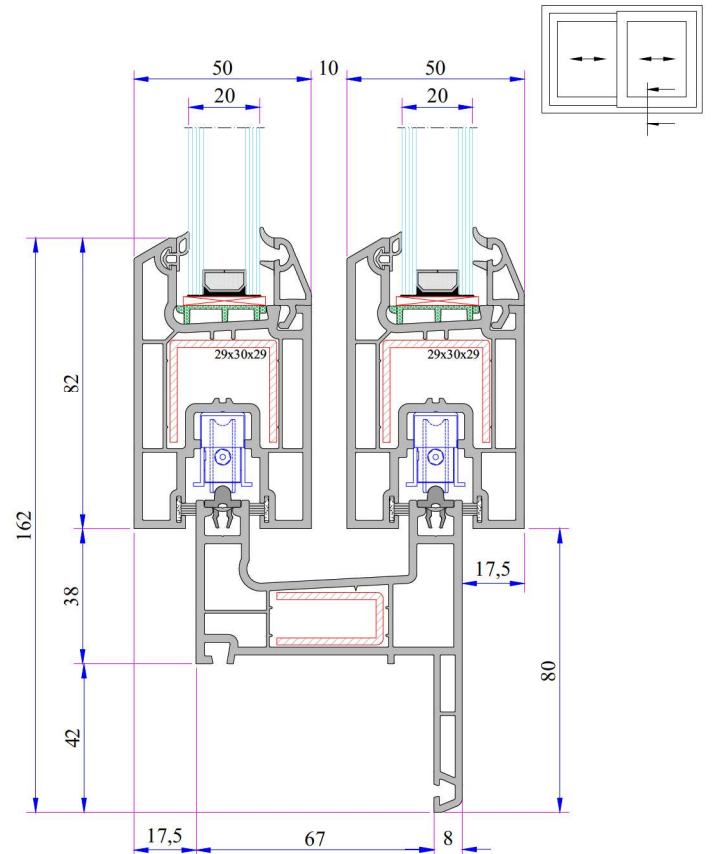
Sliding Frame Sash Double Rail Installation



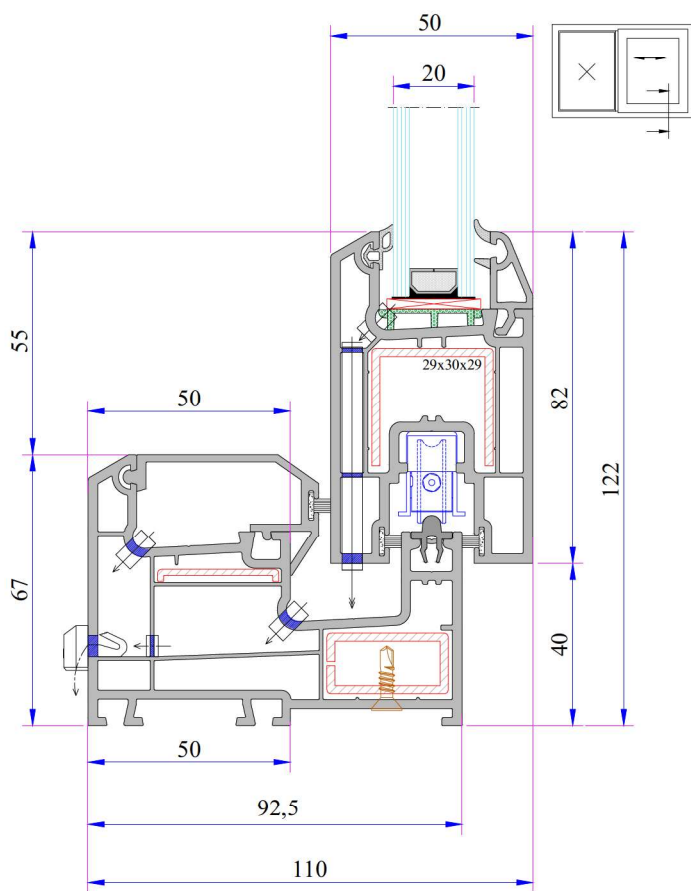
Sliding Frame Static Sash Double Rail Installation



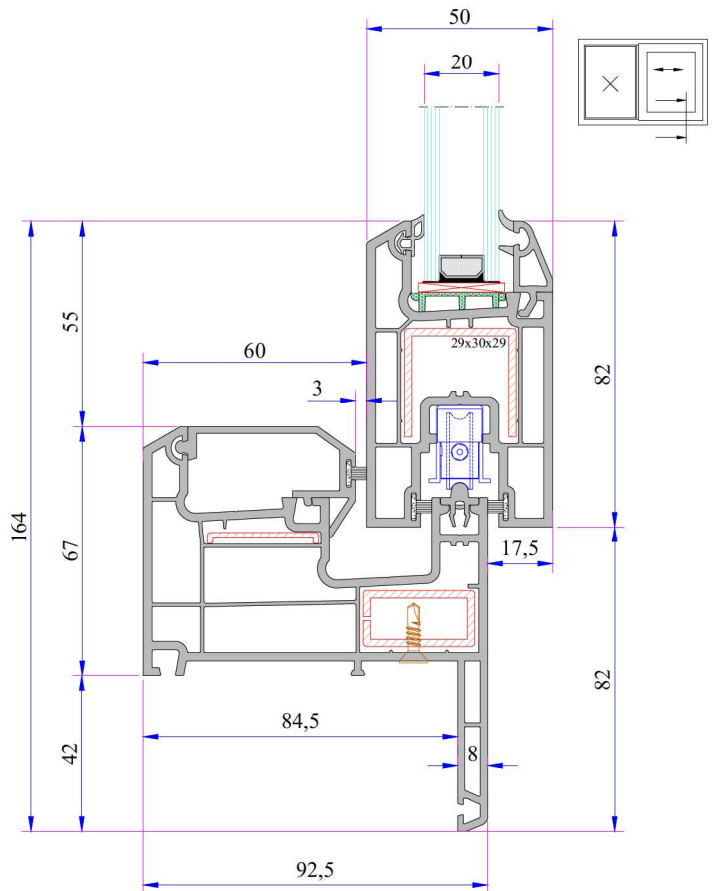
Double Sliding Frame with Sill - Sash Installation



Double Sliding Frame with Flat Sill - Sash Installation



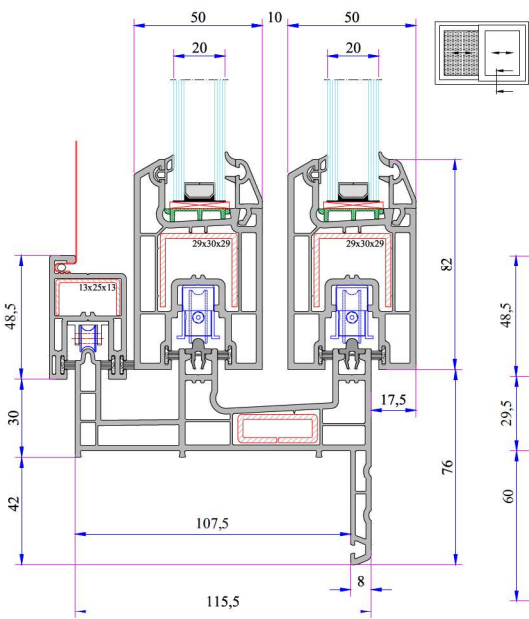
Sliding Frame Sash Single Rail Installation



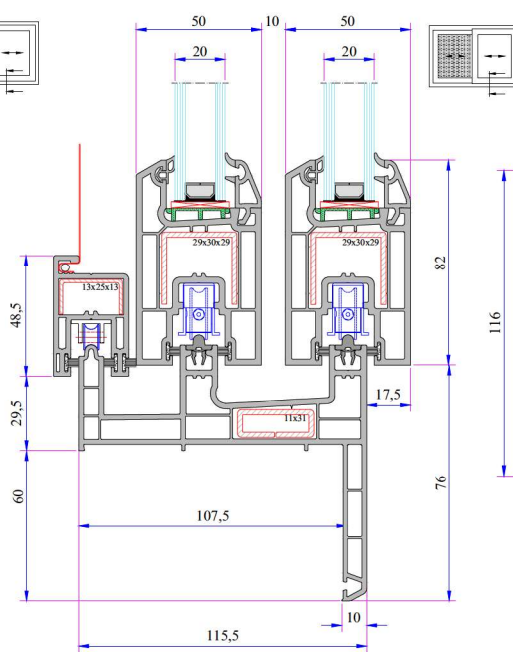
Frame Profile With Sill (Single Rail) Sash Installation



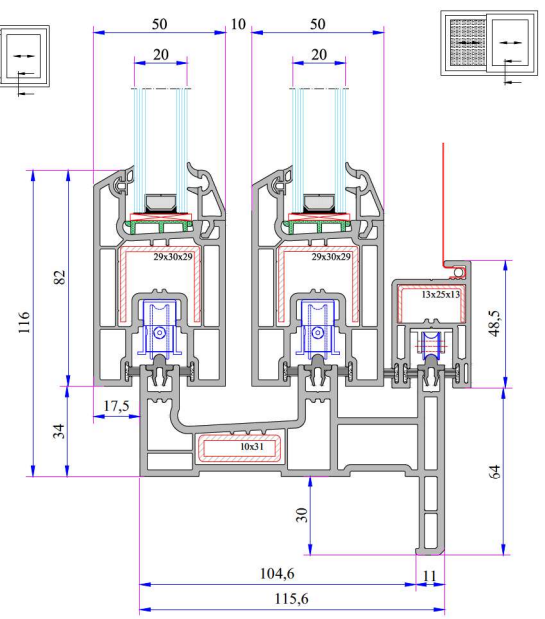
# W 232 RAIL SERIES PVC PROFILE SYSTEM



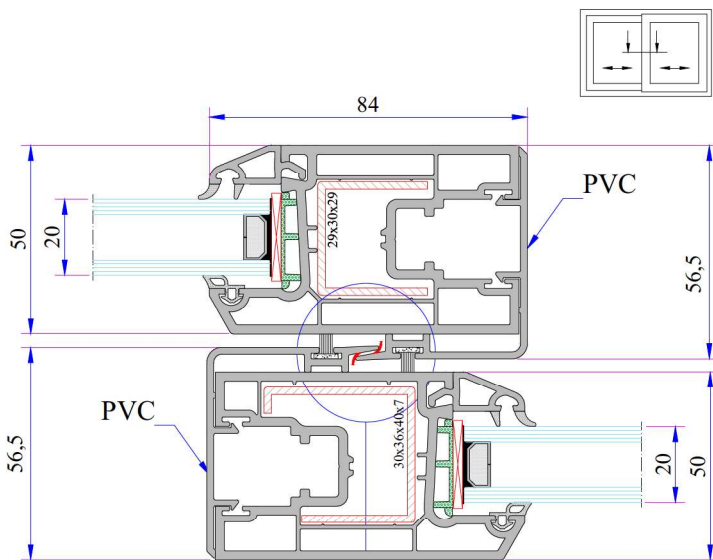
Sliding Frame - Sash - Screen -  
Sash Installation



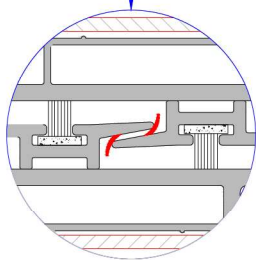
Sliding Frame - Sash - Screen -  
Sash Installation



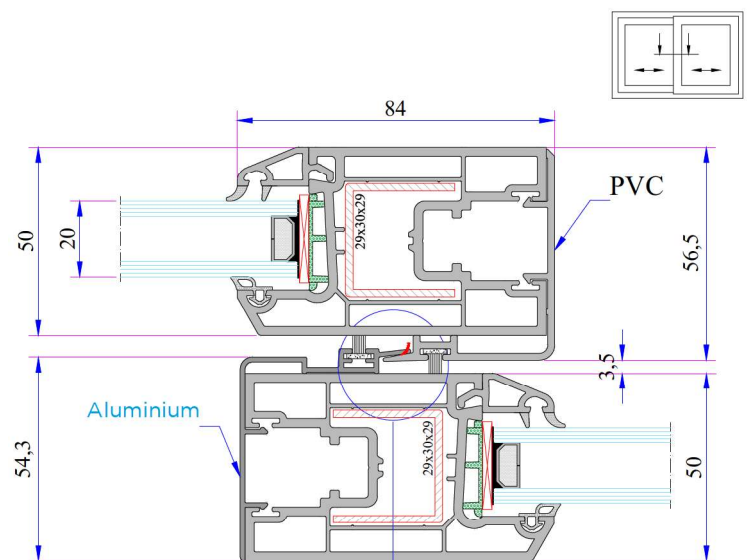
Sliding Frame - Sash - Screen -  
Sash Installation



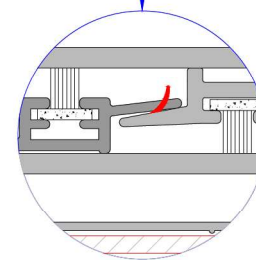
Alternative 1



PVC Sash Cover Profile Installation

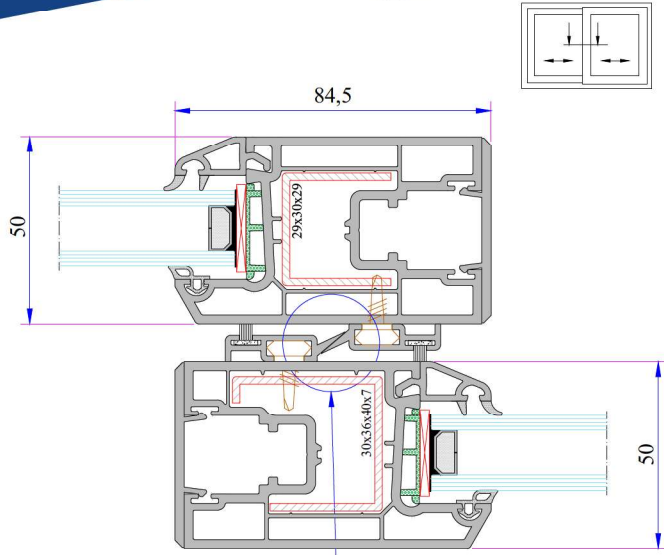


Alternative 2



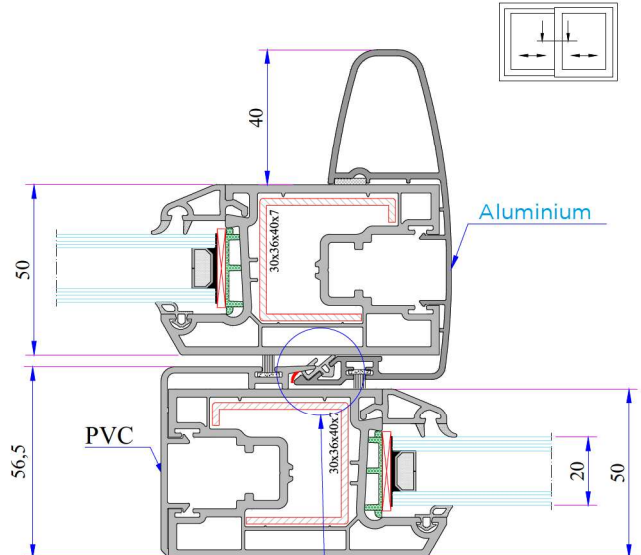
PVC vs Aluminium Sash Installation Detail

# W 232 RAIL SERIES PVC PROFILE SYSTEM



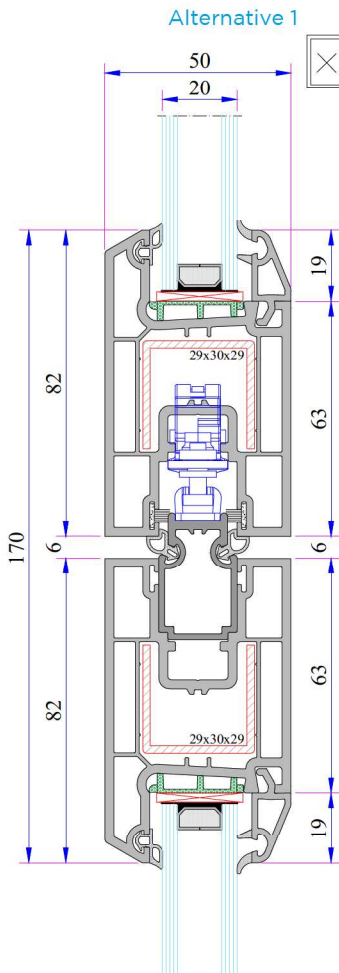
Alternative 3

PVC Sash Cover and Lap Strip Profile Installation



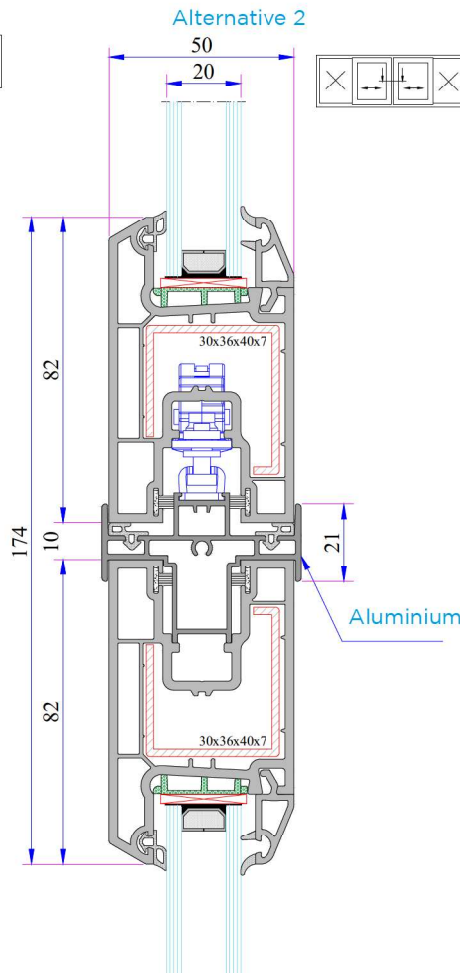
Alternative 4

Alm. Sash Cover Grillage Profile Installation



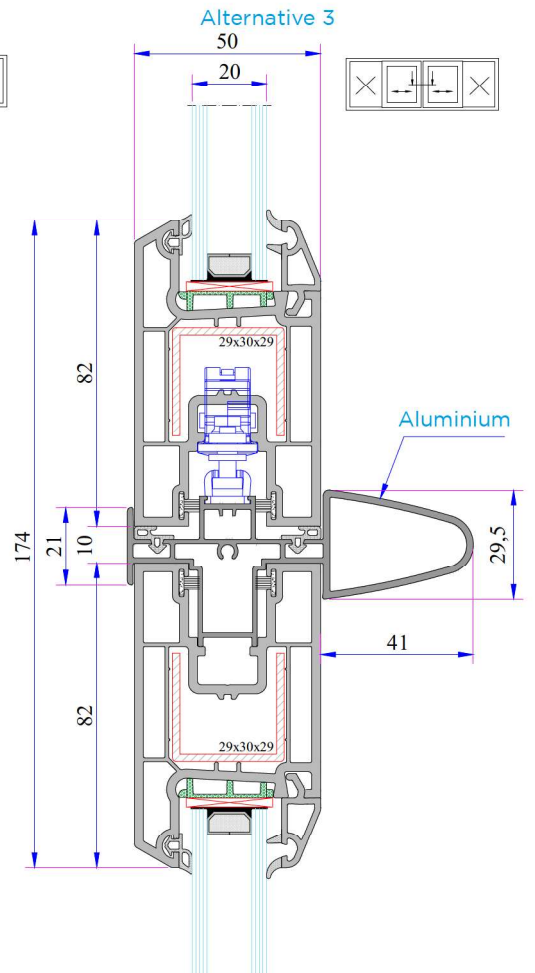
Alternative 1

Alum. Double Rail Adaptor Installation  
Four Sash Middle Profile)



Alternative 2

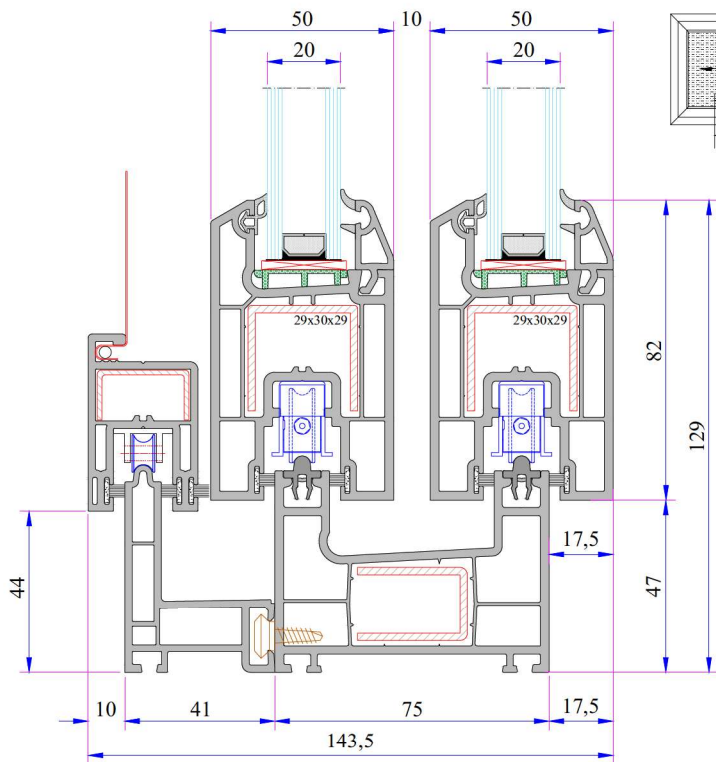
With Alum. Lug Double Sash Middle  
Adaptor Installation (Four Sash Middle  
Profile)



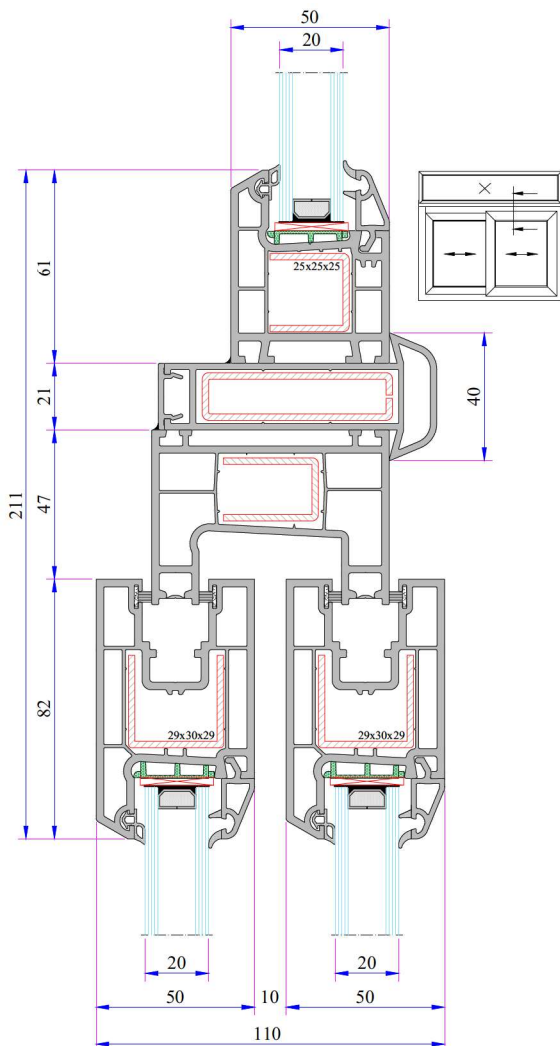
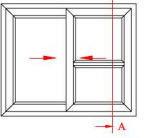
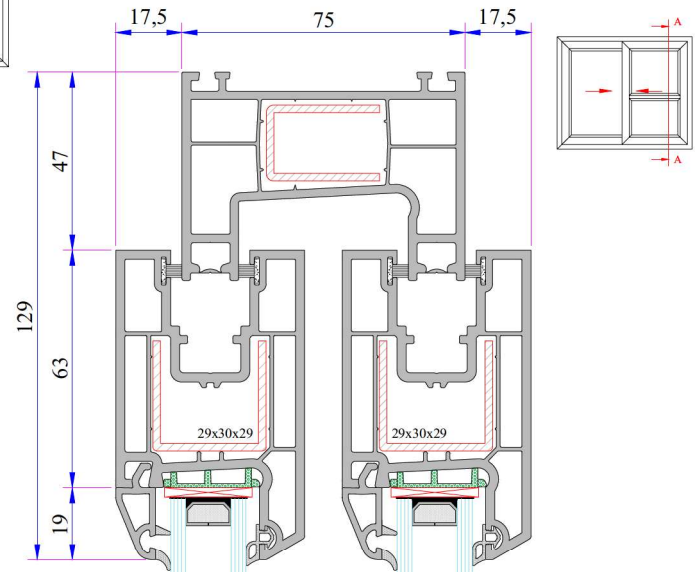
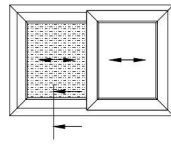
Alternative 3

With Alum. Grillage Double Sash Middle  
Adaptor Installation (Four Sash Middle  
Profile)

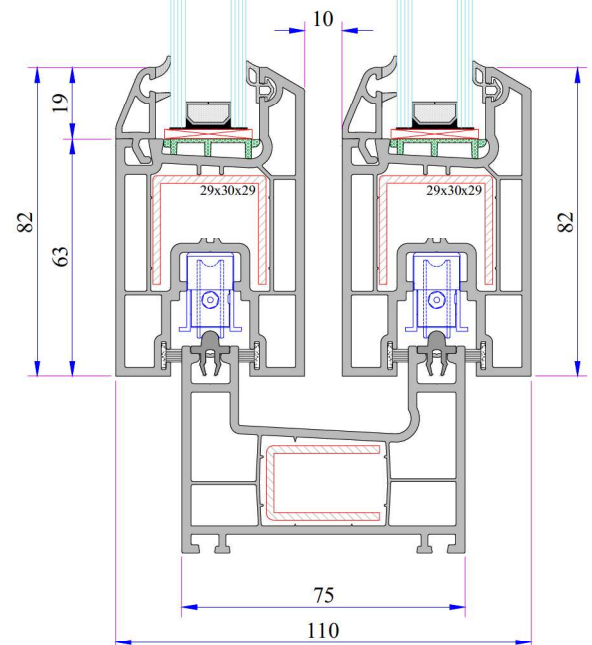
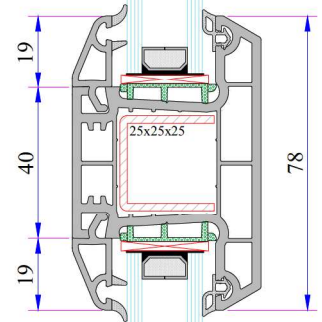
# W 232 RAIL SERIES PVC PROFILE SYSTEM



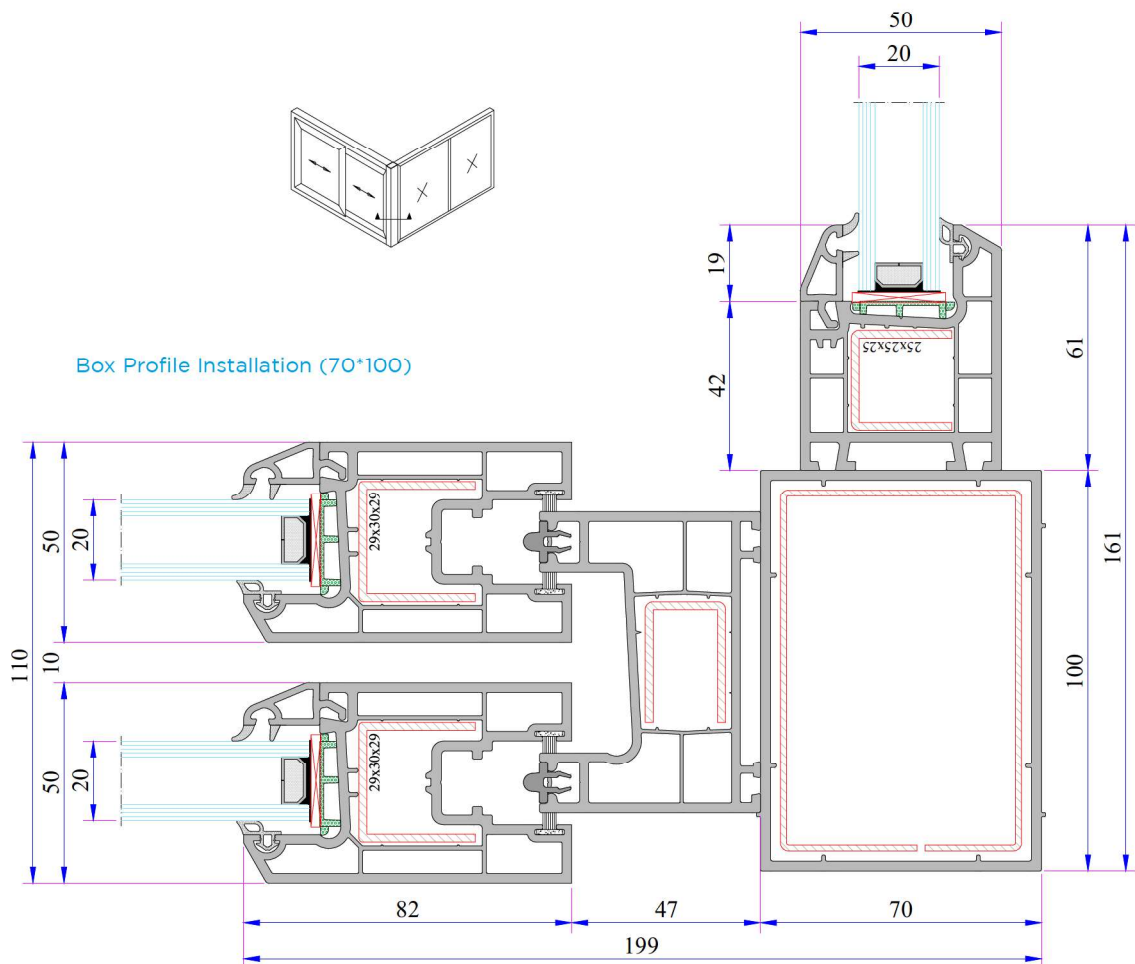
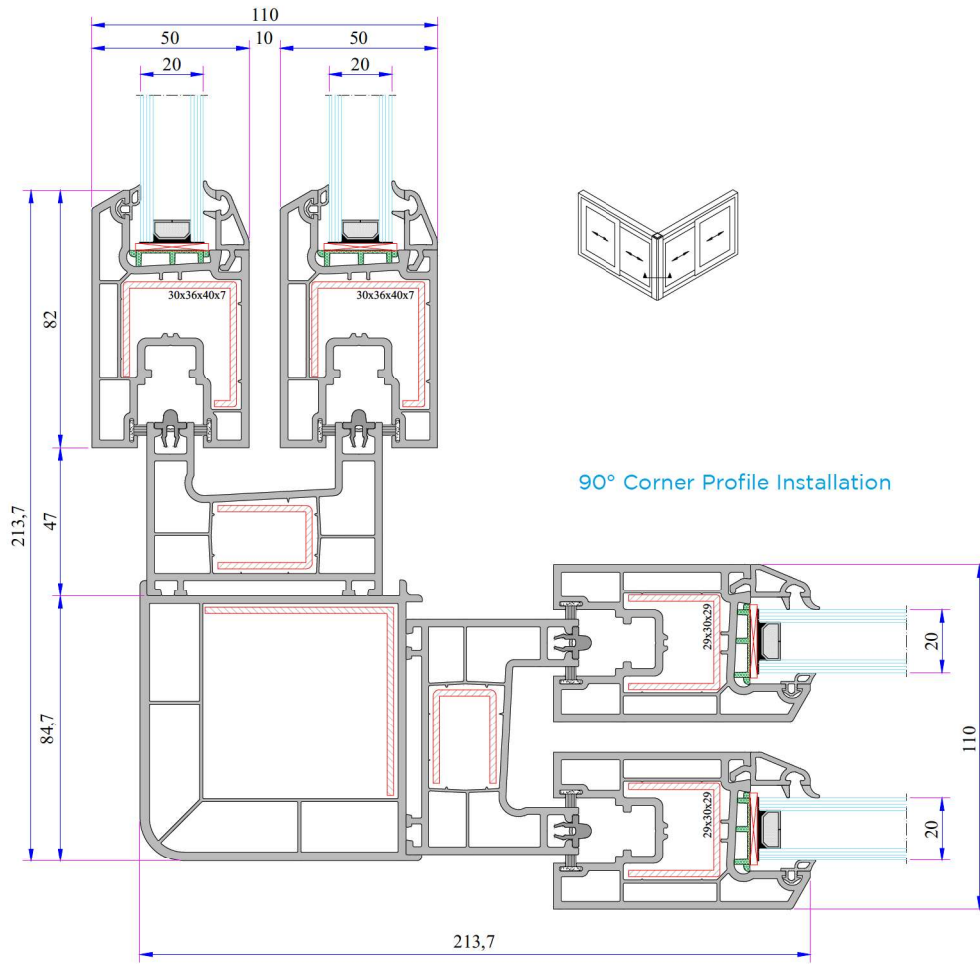
Double Railed Sliding Sash - Sliding Sash -  
Screen Profile Installation



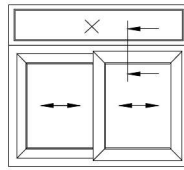
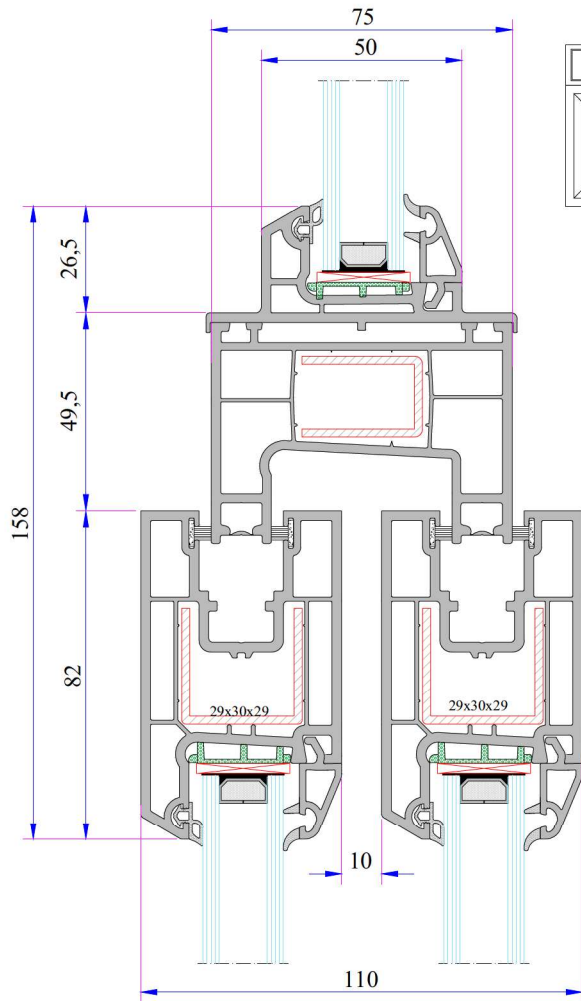
Universal Large Coupling Profile Installation



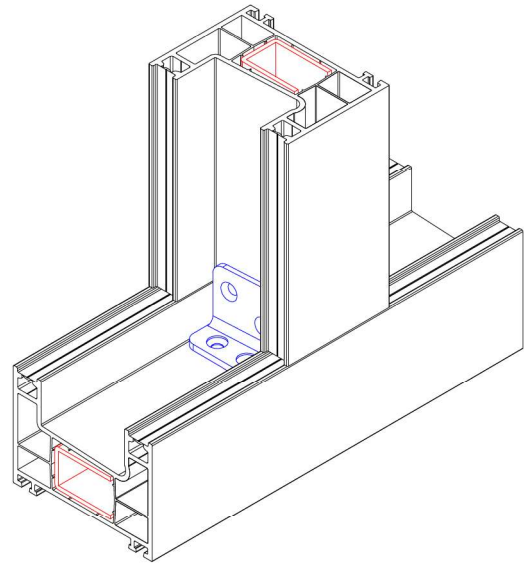
Mullion Profile Installation



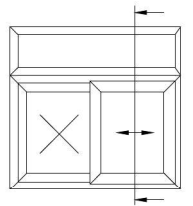
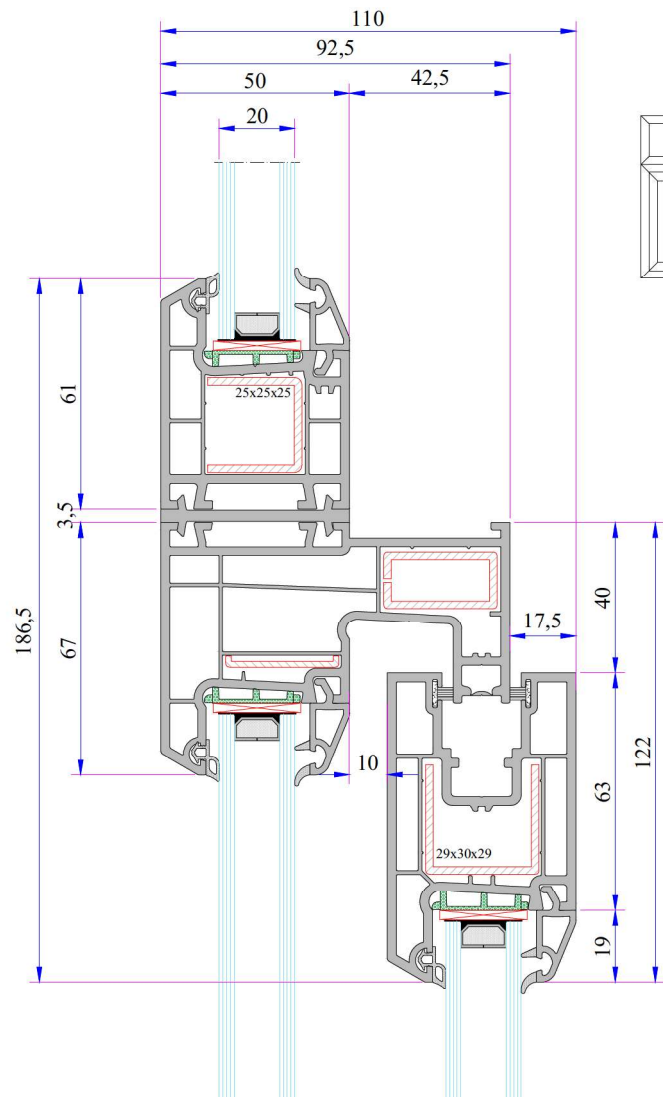
# W 232 RAIL SERIES PVC PROFILE SYSTEM

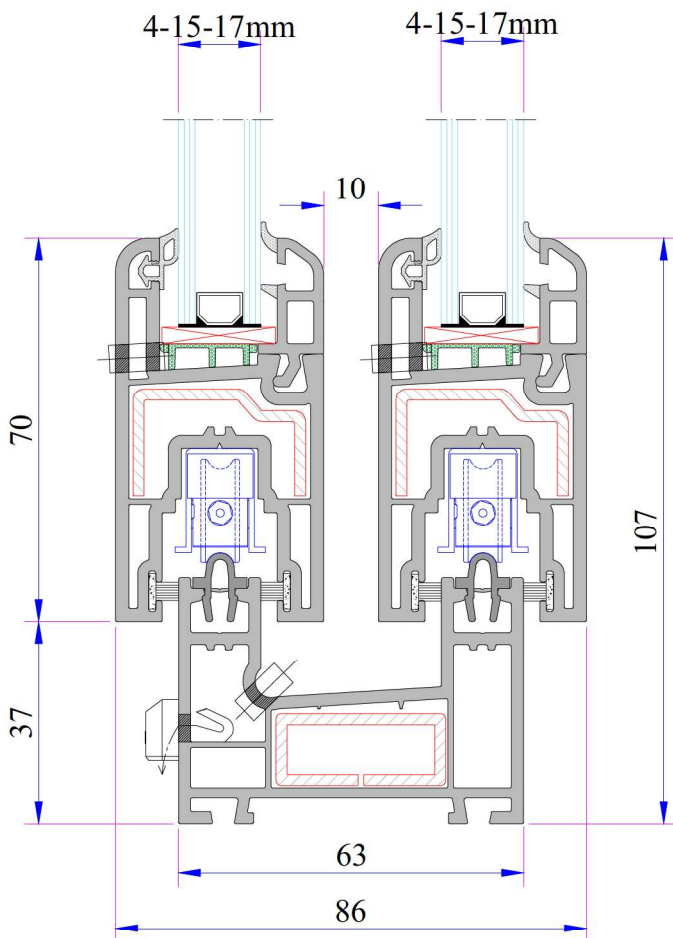


Upper Fixed Lower Part Double Railed Sliding Installation



Upper Fixed Lower Part Single Railed Sliding Installation





## TECHNICAL

### W 222 RAIL SERIES

**Profile Width:** 63 mm double rail frame, 111 mm triple rail frame and 38 mm sliding system sash profile.

**Number of chambers:** 3

**Profile Class:** B Class (TS EN 12608-1)

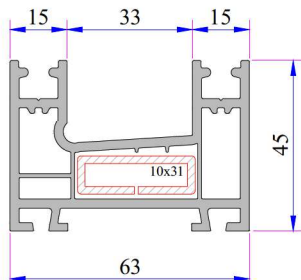
**Seal Type:** The installed bristle wick system

**Glass Thickness (mm):** 4-6, 15, 17 mm

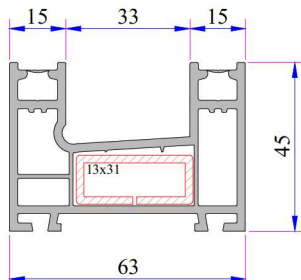
## INSTRUCTION

- 63 mm double rail, 111 mm triple rail, 38 mm sliding sash profile.
- Perfect thermal, sound and water isolation because of the 3 chambers system.
- Application of single glaze 4-6 mm and installation glass 15, 17 mm by grey sealed glazing beads in different thickness.
- Application with roller shutter and without roller shutter.
- Wooden designed laminated applications.

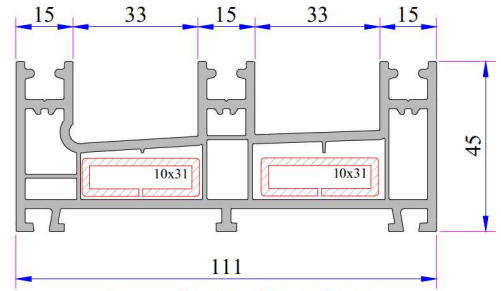
# W 222 RAIL SERIES PVC PROFILE SYSTEM



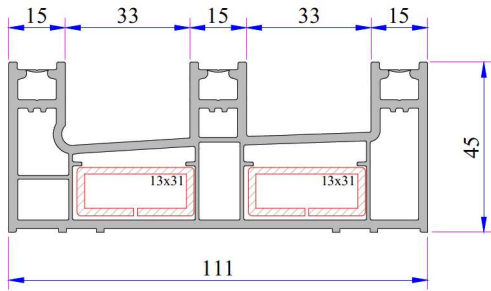
**Frame Profile (Double Rail)**  
Code: P.A.222.1100.600.0.00.03



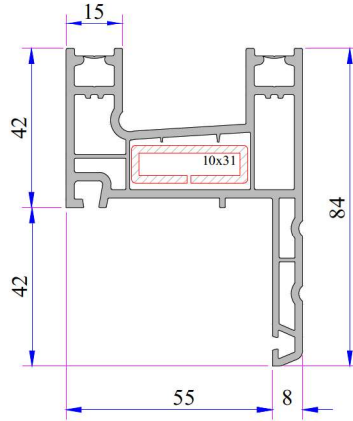
**New Frame Profile (Double Rail)**  
Code: P.A.222.1111.600.0.00.03



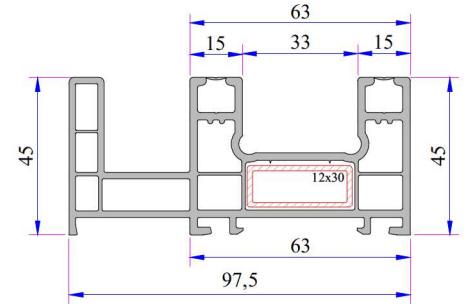
**Frame Profile (Triple Rail)**  
Code: P.A.222.1103.600.0.00.03



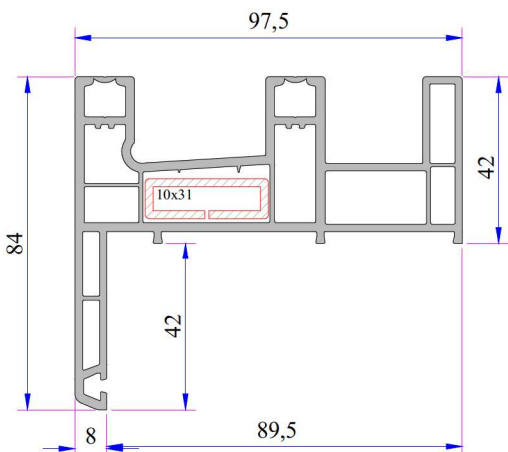
**New Frame Profile (Triple Rail)**  
Code: P.A.222.1112.600.0.00.03



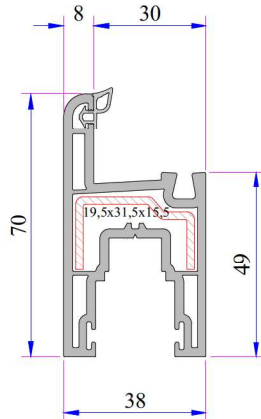
**Frame With Flat-Sill Profile**  
Code: P.A.222.1107.600.0.00.03



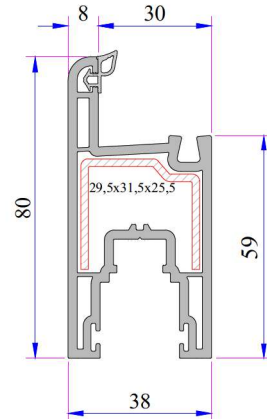
**Frame With Fly-Screen**  
Code: ???



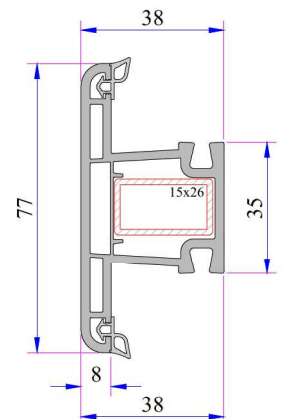
**Frame With Fly-Screen&Sill**  
Code: P.A.222.1109.600.0.00.03



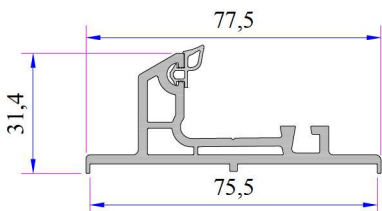
**Sliding System Sash Profile**  
Code: P.A.222.2300.600.0.BC.03



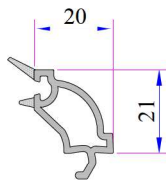
**Super Sliding System Sash Profile**  
Code: P.A.222.2304.600.0.BC.03



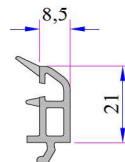
**Mullion Profile for Sash Profile**  
Code: P.A.222.3201.600.0.BC.03



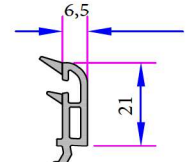
**Double Rail Adaptor Profile**  
Code: P.A.232.5800.600.0.BC.19



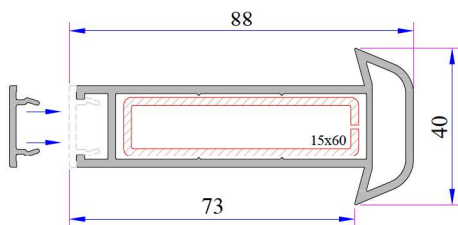
**Single Glazing Bead 4-6 mm**  
Code: P.A.101.4102.600.0.HC



**Double Glazing Bead 15 mm**  
Code: P.A.532.4400.600.0.HC



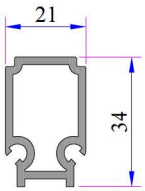
**Double Glazing Bead 17 mm**  
Code: P.A.532.4500.600.0.HC



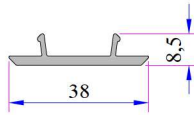
**Universal Large Coupling Profile**  
Code: P.A.058.5000.600.0.19



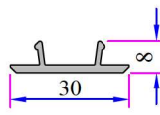
**Universal Large Coupling Cover Profile**  
Code: P.A.900.5705.600



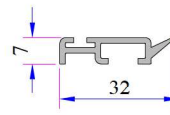
**Alm. Double Sash Adaptor Profile**  
Code: AD16-011



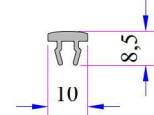
**Screen Sash Cover Profile**  
Code: P.A.222.5704.600



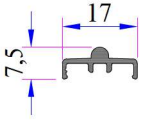
**Screen Sash Cover Profile**  
Code: P.A.242.5701.600



**Lap Strip Profile**  
Code: P.A.232.5801.600



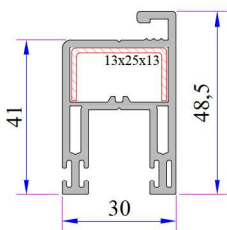
**Frame Channel Cover Profile**  
Code: P.A.232.5703.600



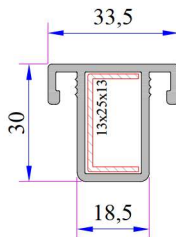
**Alm. Sliding Rail Profile**  
Code: ???



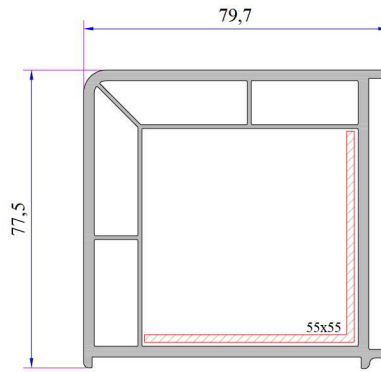
**Alm. Sliding Rail Profile**  
Code: AD16-014



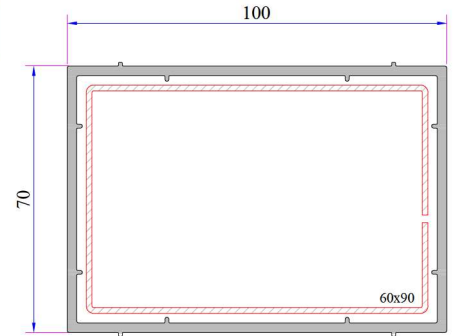
**Sliding System Sash Profile**  
Code: P.A.242.2305.600.0.00.03



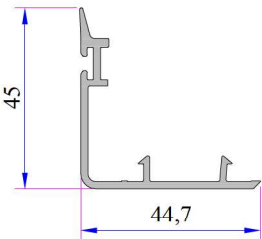
**Screen Mullion Profile**  
Code: P.A.242.3200.600.0.00.03



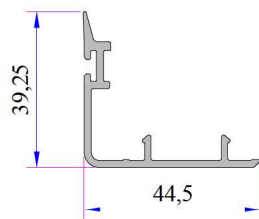
**Corner Profile (90°)**  
Code: P.A.070.5100.600.0.00.19



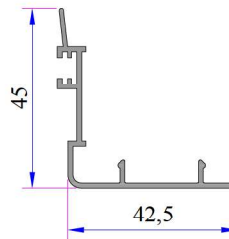
**Box Profile (70°100)**  
Code: P.A.070.5202.600.0.00.19



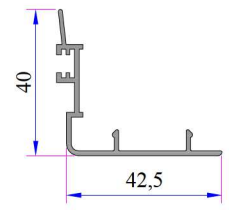
**PVC Super Sash Cover Profile**  
Code: P.A.222.5700.600.0.00.19



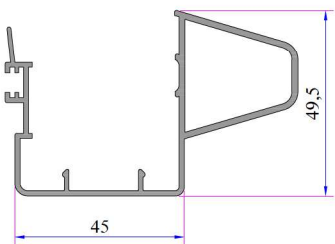
**PVC Sash Cover Profile**  
Code: P.A.222.5708.600.0.00.19



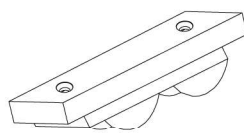
**Alm. Sash Cover Profile**  
Code: AD16-032



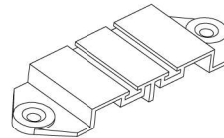
**Alm. Super Sash Cover Profile**  
Code: AD16-031



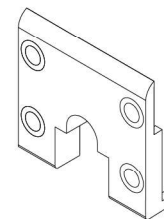
**Alm. Sash Cover Grillage Profile (In Process)**



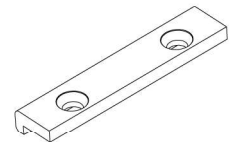
**Sliding Roller Brass**  
Code: 34009-18030



**Sealing Bit Double Rail**  
Code: 34009-27010

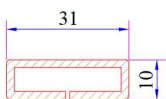


**Sliding Sash End Bit**  
Code: 34009-47010

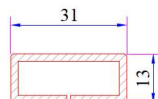


**Upper Bedding Piece for Sliding Rail**  
Code: 34009-37010

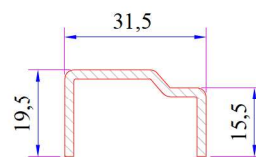
## W 222 Re-Inforcement Profiles



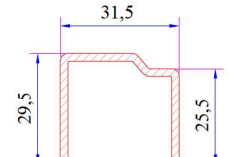
**Triple Rail Frame - Frame With Flat-Sill Profile - Frame With Fly-Screen&Sill Profile Reinforcement**  
Code: 34022-12107



**New Frame Profile (Double Rail)-New Frame Profile (Triple Rail) Profile Reinforcement**  
Code: 34022-12126



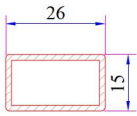
**Sliding System Sash Profile Reinforcement**  
Code: 34022-15026



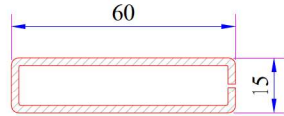
**Super Sliding System Sash Profile Reinforcement**  
Code: 34022-15027



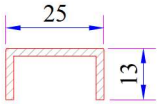
# W 222 RAIL SERIES PVC PROFILE SYSTEM



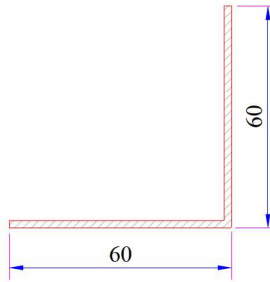
Mullion Profile for Sash  
Code: 34022-12127



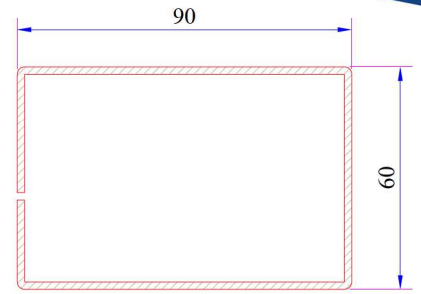
Universal Large Coupling Profile  
Code: 34022-12123



Sliding System Sash-Mullion Profile  
Reinforcement  
Code: 34022-12008

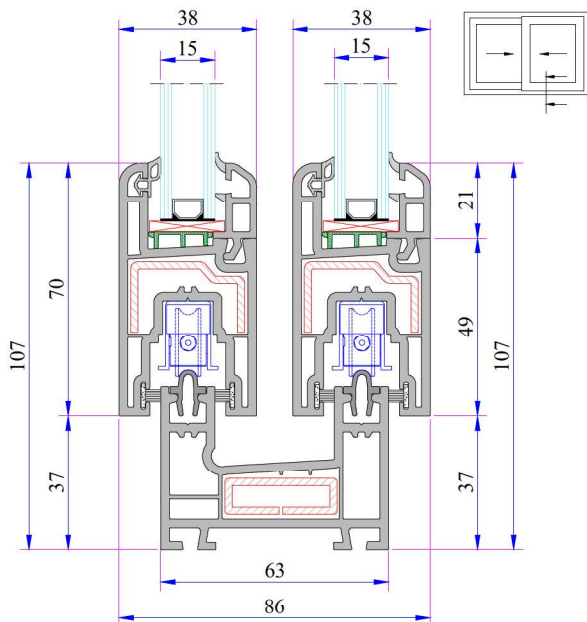


90° Corner Profile  
Reinforcement  
Code: 34022-12306

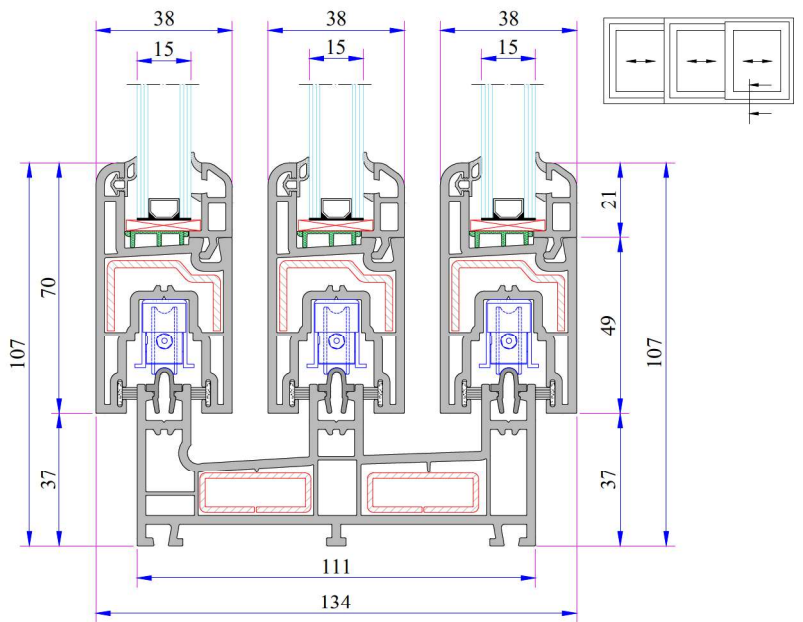


Box Profile Reinforcement  
Code: 34022-12121

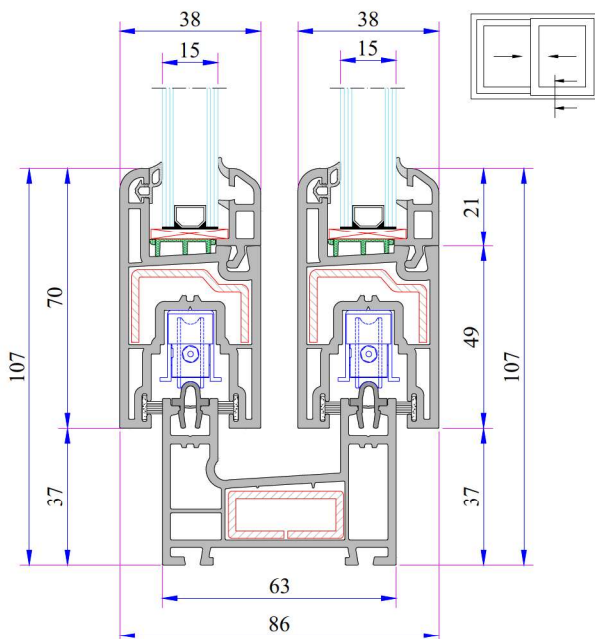
## W 222 Installation



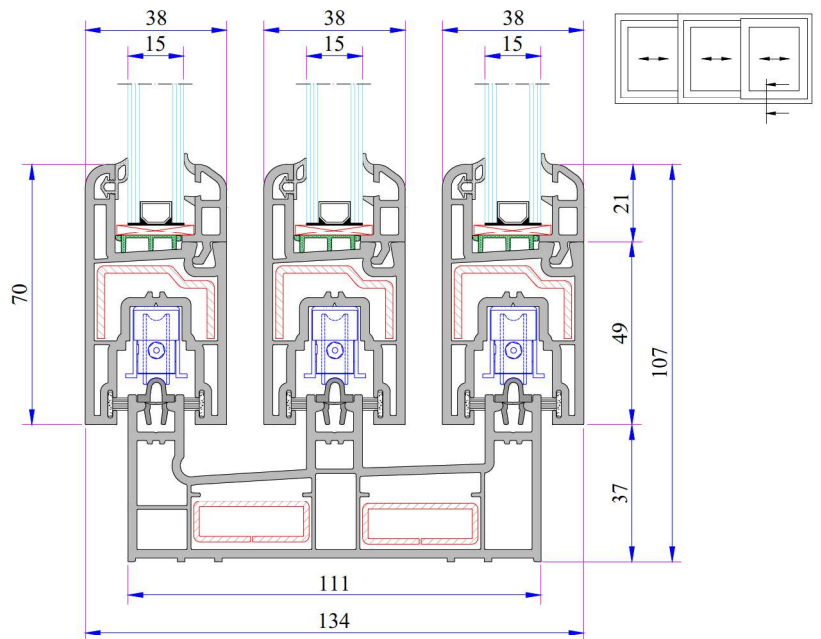
Double Rail Frame - Sliding System  
Sash Profile Installation



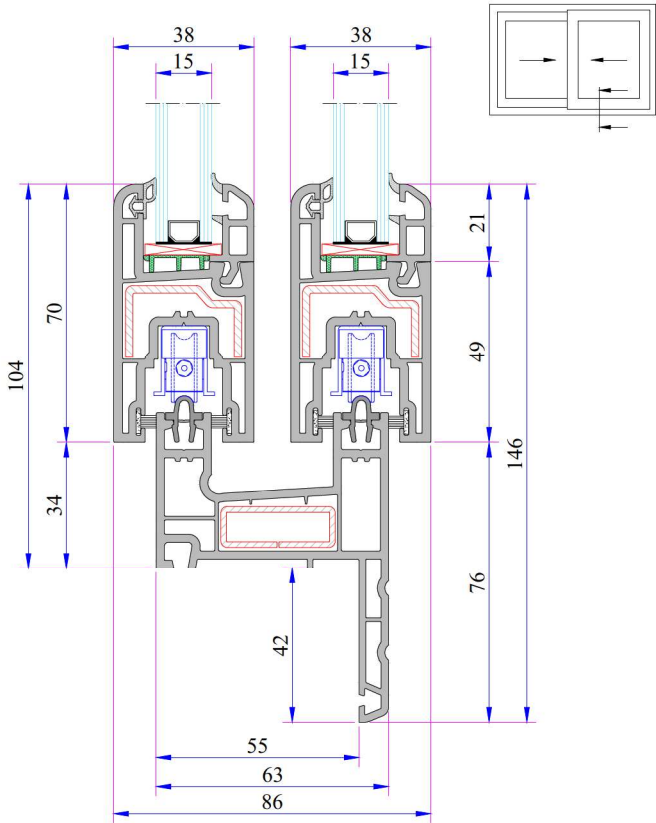
Triple Rail Frame - Sliding System Sash  
Profile Installation



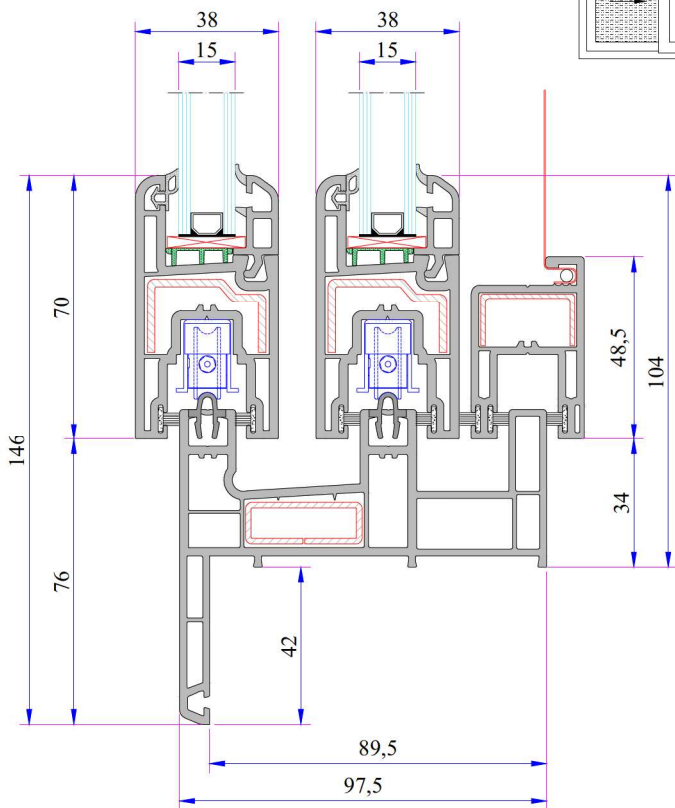
Double Rail Frame(New) - Sliding  
System Sash Profile Installation



Triple Rail Frame (New) - Sliding  
System Sash Profile Installation

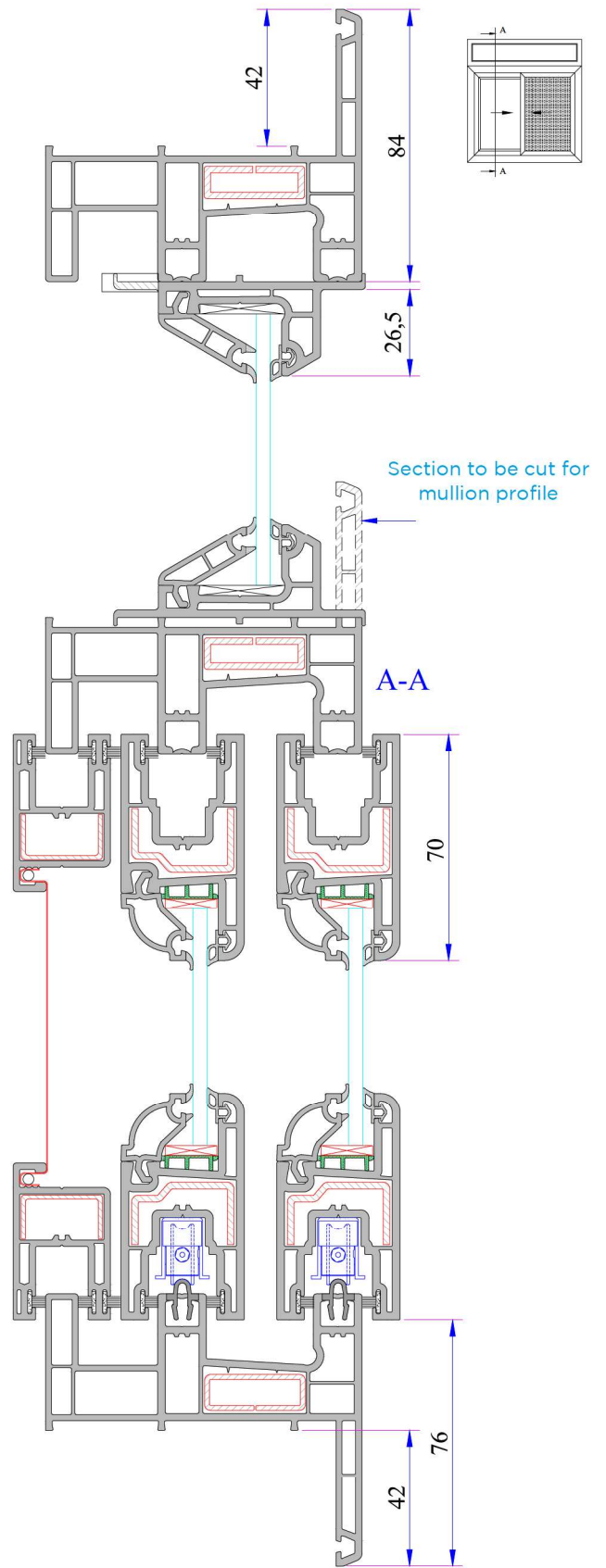


Double Rail Frame with Sill - Sliding System Sash Profile Installation

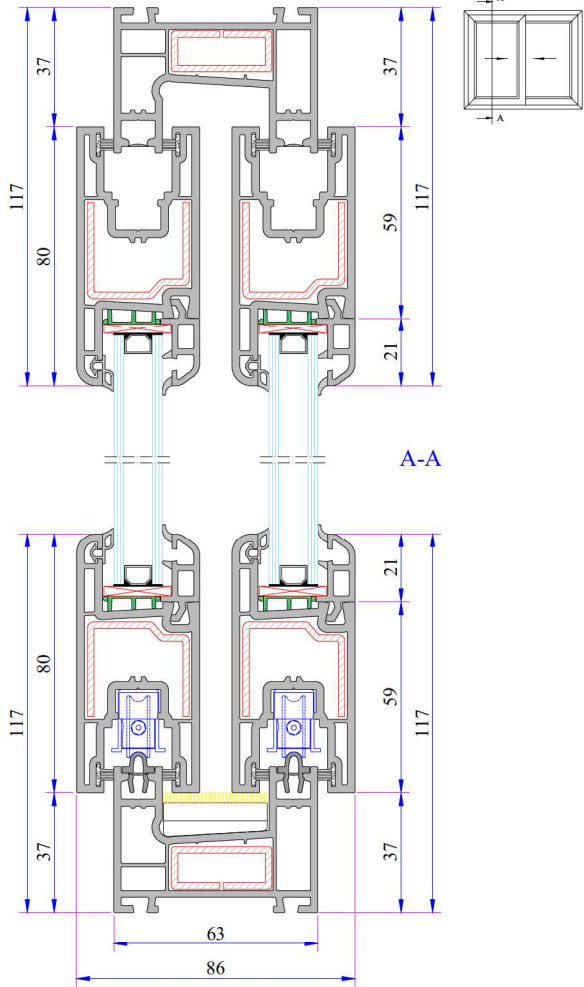


Double Rail Frame With Fly-Screen & Sill - Sliding System Sash Installation

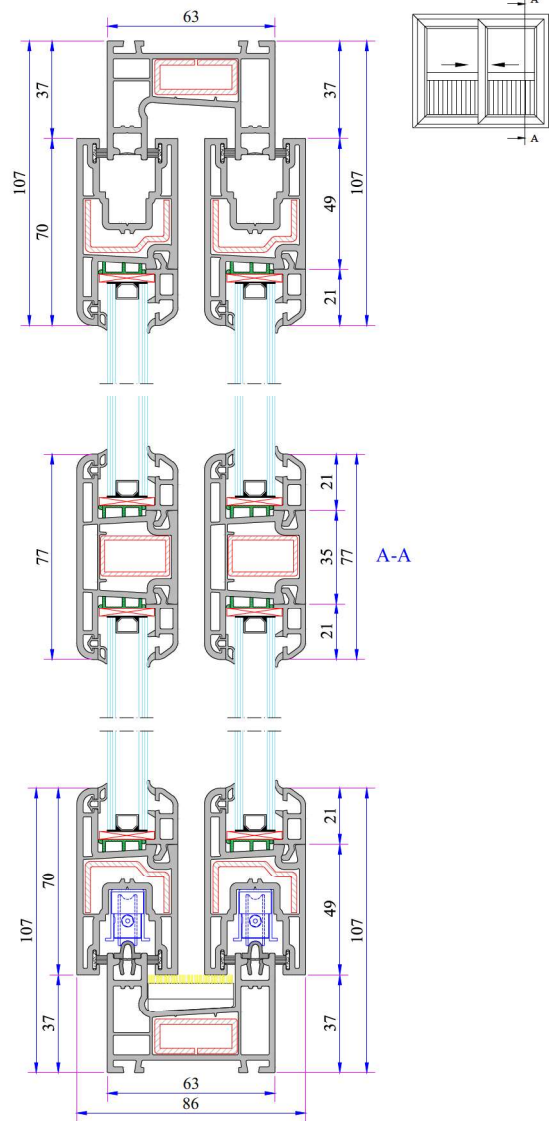
Double Rail Adaptor Profile Installation



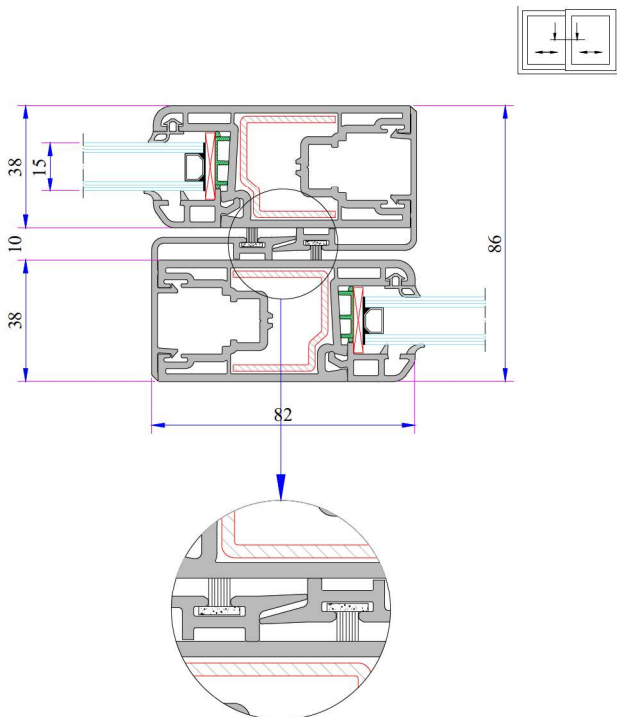
# W 222 RAIL SERIES PVC PROFILE SYSTEM



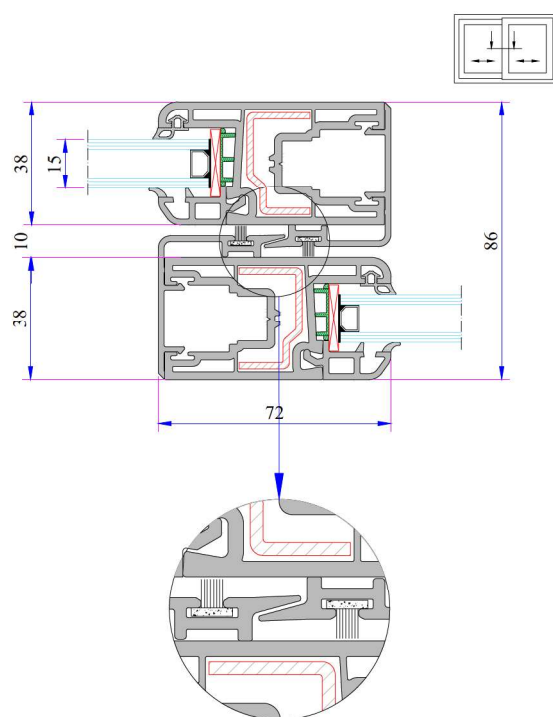
Double Railed Frame and Double Sash Installation



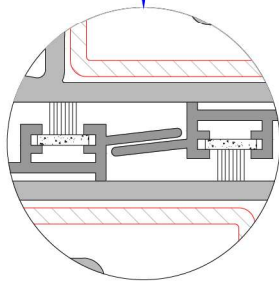
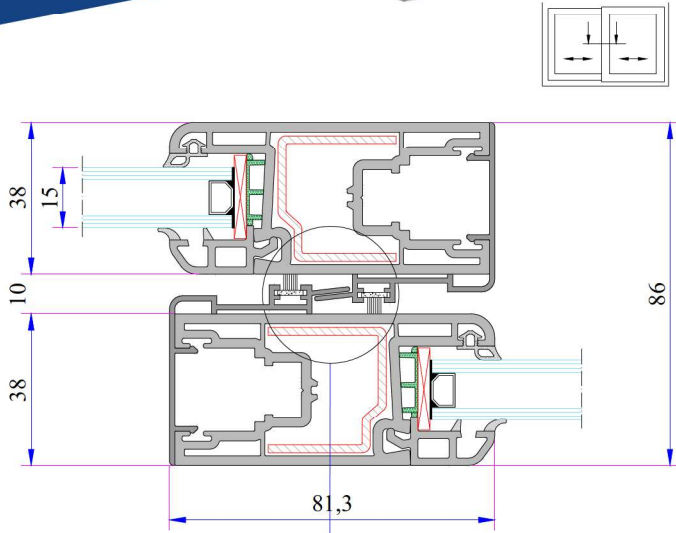
Mullion For Sash Installation



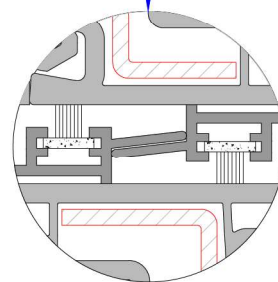
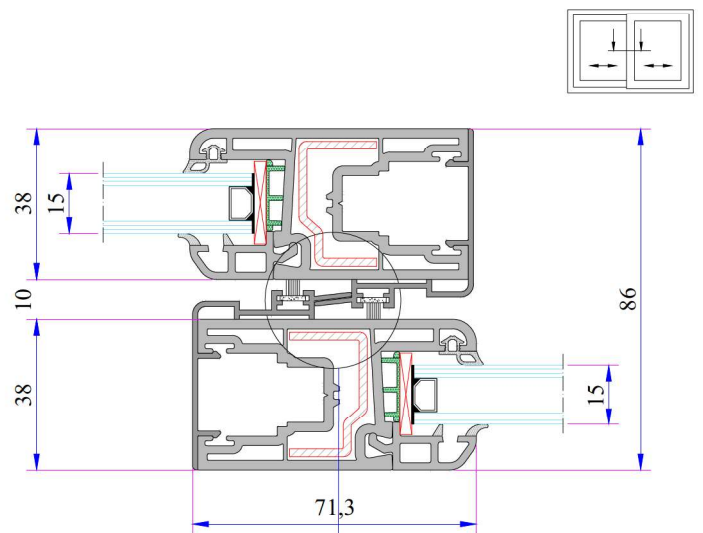
Sliding System Super Sash Back Cover Profile Installation



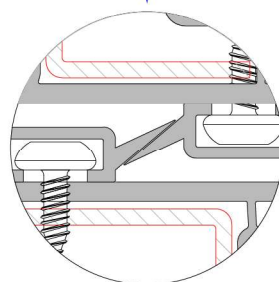
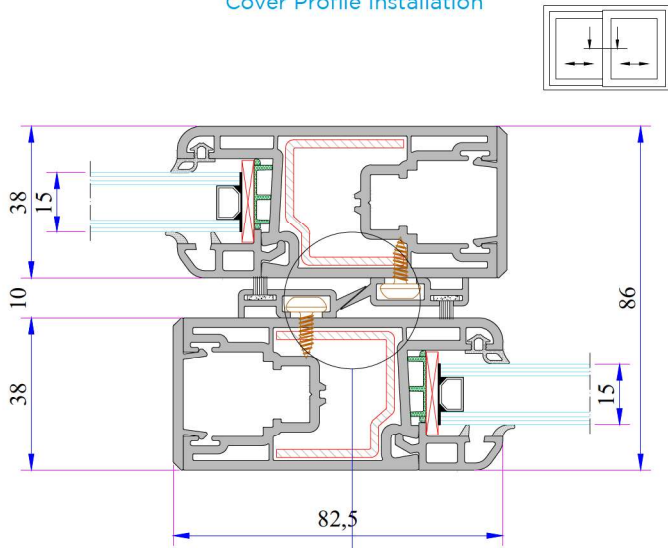
Sliding System Sash Back Cover Profile Installation



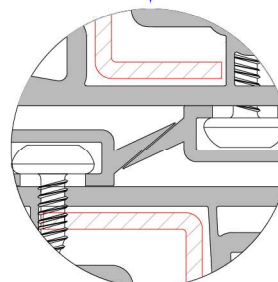
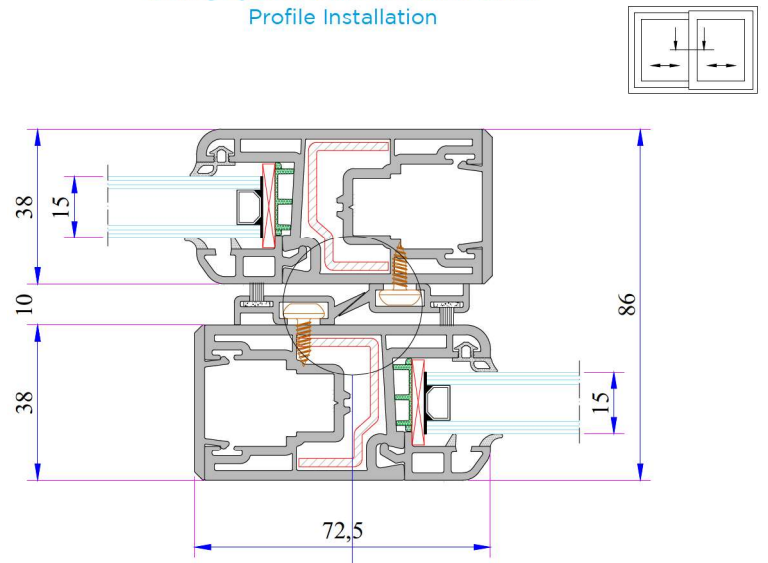
Sliding System Super Sash Alm. Back Cover Profile Installation



Sliding System Sash Alm. Back Cover Profile Installation

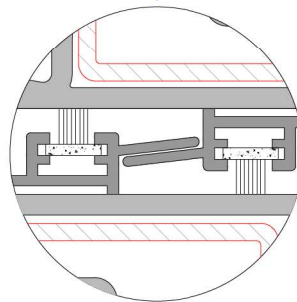
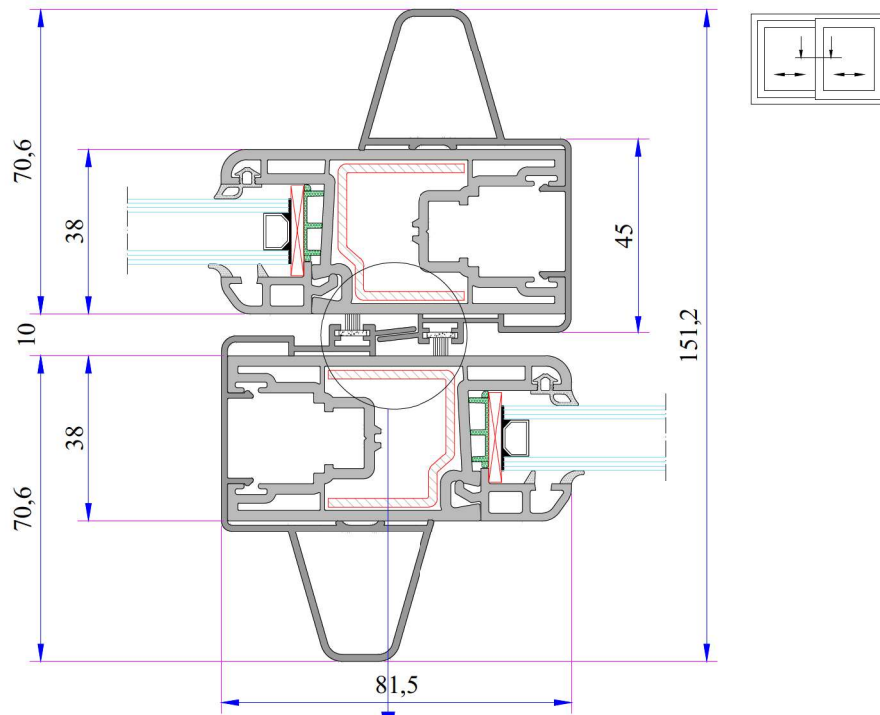


Sliding System Super Sash Lap Strip Profile Installation

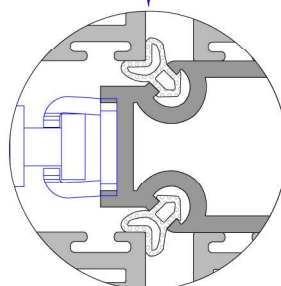
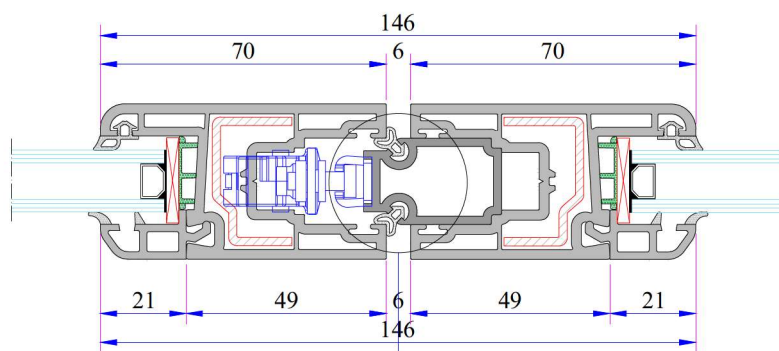


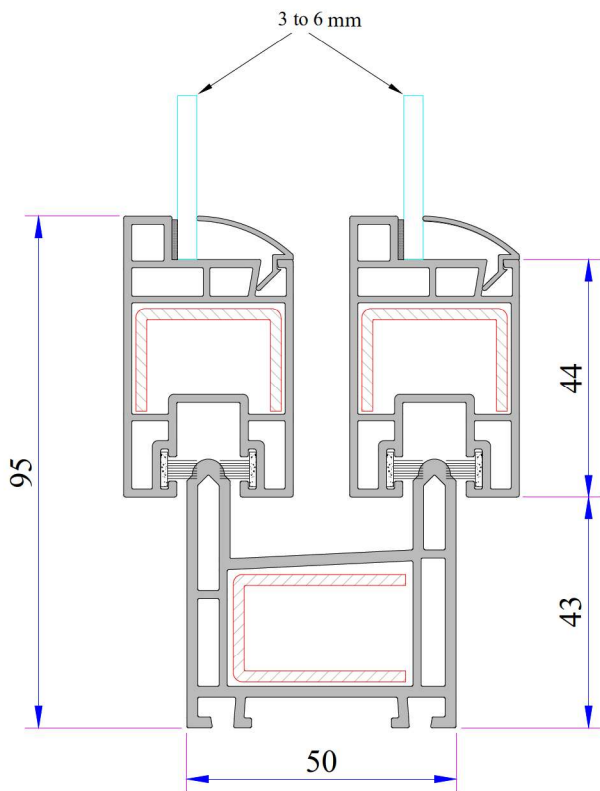
Sliding System Sash Lap Strip Profile Installation

Sliding System Super Sash - Sash  
Cover Grillage Profile Installation



Alm. Double Sash Adaptor Profile  
Installation





## TECHNICAL

### W 150 SLIDING SERIES

**Profile Width:** 50 mm

**Number of chambers:** 3

**Profile Class:** C Class

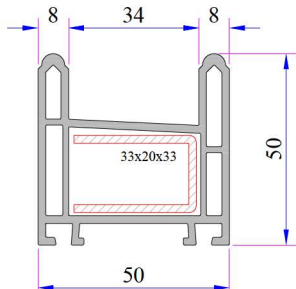
**Seal Type:** The installed bristle wick system

**Glass Thickness (mm):** 3 to 6 mm

## INSTRUCTION

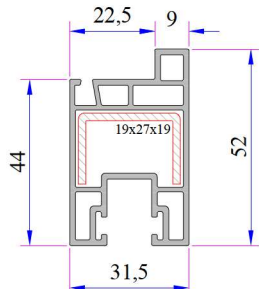
- 50 mm double rail frame and 31,5 mm sliding sash profile.
- Perfect thermal, sound and water isolation Because of the 3 chambers system.
- Single glazing (3 to 6 mm).
- Application with roller shutter and without roller shutter.
- Color range for laminated products.
- It is quality is accredited by national and international certificates.

# W 150 SLIDING SERIES PVC PROFILE SYSTEM



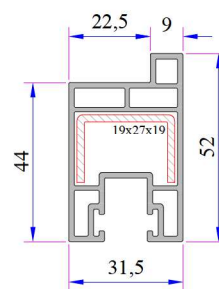
**Sliding Frame Profile**

Code: P.A.150.1100.600.0.00.03



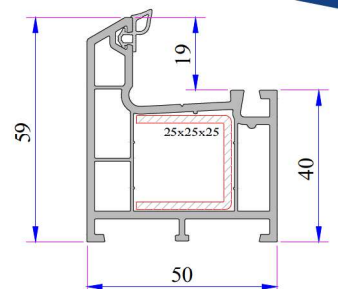
**Sliding Sash Profile with Bead Channel**

Code: P.A.150.2302.600.0.00.03



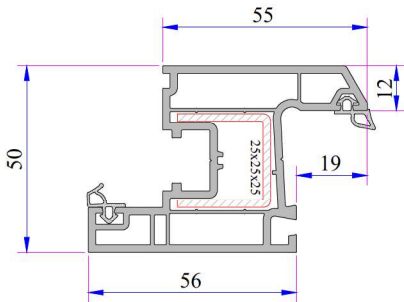
**Sliding Sash Profile**

Code: P.A.150.2303.600.0.00.03



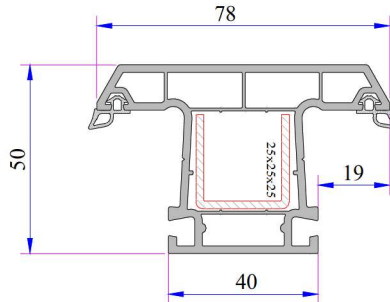
**330 Frame Profile**

Code: P.A.330.1000.600.0.BC.03



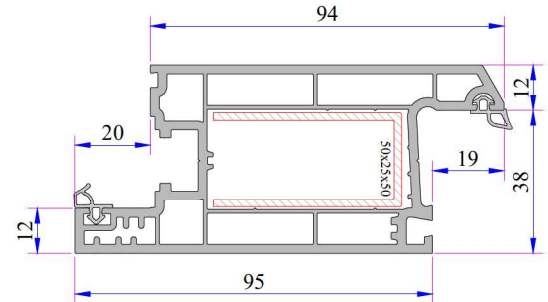
**330 Sash Profile**

Code: P.A.330.2000.600.0.BC.03



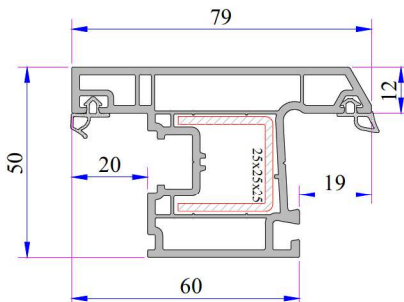
**330 Mullion Profile**

Code: P.A.330.3000.600.0.BC.03



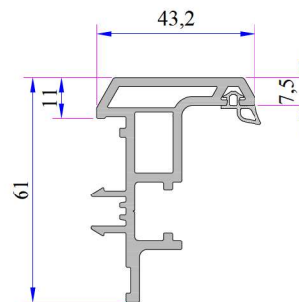
**332 Door Sash Profile**

Code: P.A.332.2100.600.0.BC.03



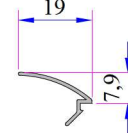
**330 Outward Opening Sash Profile**

Code: P.A.330.2001.600.0.BC.03



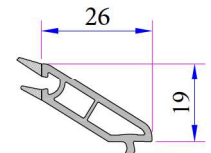
**332 Lap Joint Profile**

Code: P.A.332.3100.600.0.BC.19



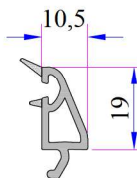
**Single Glazing Bead**

Code: P.A.150.4701.600



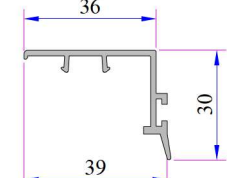
**4mm Single Glazing Bead**

Code: P.A.332.4000.600.0.HC



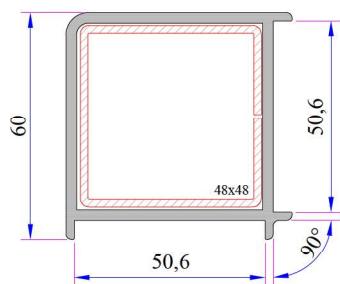
**20mm Double Glazing Bead**

Code: P.A.332.4100.600.0.HC



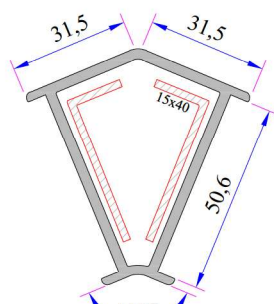
**Sash Cover Profile**

Code: P.A.150.5700.600.0.00.19



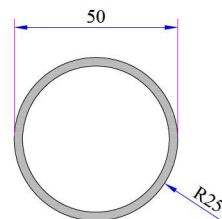
**Corner Profile (90°)**

Code: P.A.050.5100.600.0.00.19



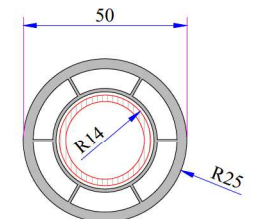
**Corner Profile (135°)**

Code: P.A.050.5102.600.0.00.19



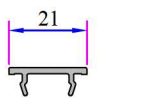
**Angled Pipe Profile (Ø50)**

Code: P.A.050.5105.600



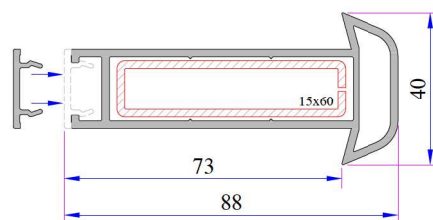
**Angled Pipe Profile (Ø50)**

Code: P.A.050.5106.600



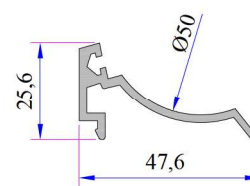
**Universal Large Coupling Cover Profile**

Code: P.A.058.5707.600.0.00.19

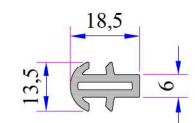


**Universal Large Coupling Profile**

Code: P.A.058.5000.600.0.01.19

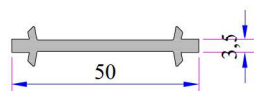


**Alm. Angled Pipe Adaptor Profile (In Process)**



**Short Coupling Profile**

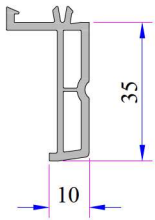
Code: P.A.099.5003.600



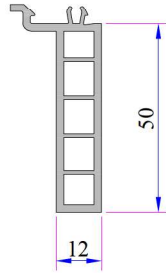
**Coupling Profile**

Code: P.A.050.5001.600

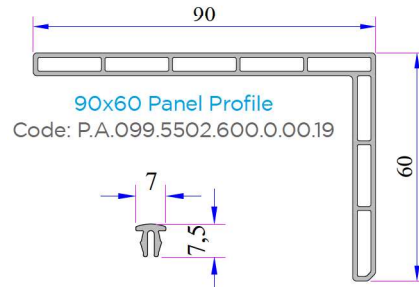
# W I50 SLIDING SERIES PVC PROFILE SYSTEM



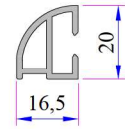
**35mm Frame Sill Profile**  
Code: P.A.099.5523.600



**50mm Frame Sill Profile**  
Code: P.A.099.5524.600

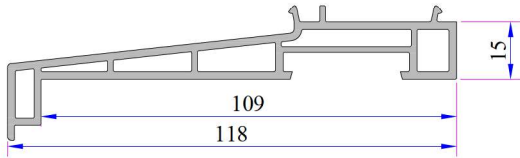


**90x60 Panel Profile**  
Code: P.A.099.5502.600.0.00.19

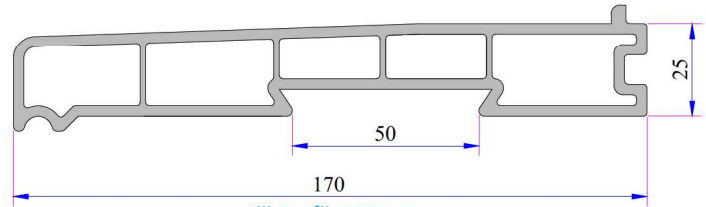


**Offset Profile**  
Code: P.A.900.6307.600

**Frame Channel Cover Profile**  
Code: P.A.099.5703.600  
(White)

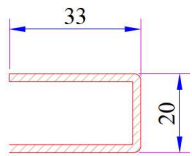


**Sill Profile**  
Code: P.A.058.5504.600.0.00.19

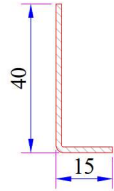


**Sill Profile 170mm**  
Code: P.A.099.5513.600.0.00.19

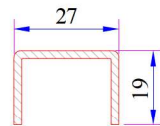
## W I50 Sliding Re-Inforcement Profiles



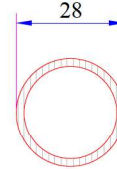
**Sliding Frame Profile Reinforcement**  
Code: 34022-12019



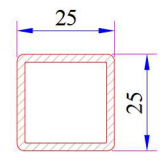
**Corner Profile (135°)**  
Code: 34022-12301



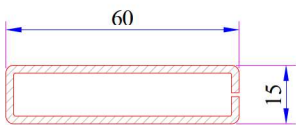
**Sliding Sash Profile Reinforcement**  
Code: 34022-12028



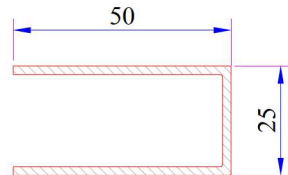
**Angled Pipe Profile Reinforcement**  
Code: 34022-12503



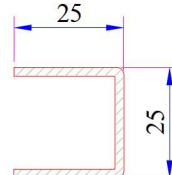
**Frame, Mullion Profile Static Reinforcement**  
Code: 34022-12122



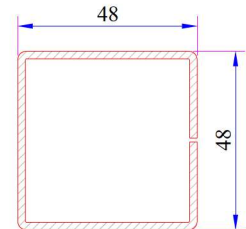
**Universal Large Coupling Profile Reinforcement**  
Code: 34022-12123



**Door Sash Profile Reinforcement**  
Code: 34022-12012

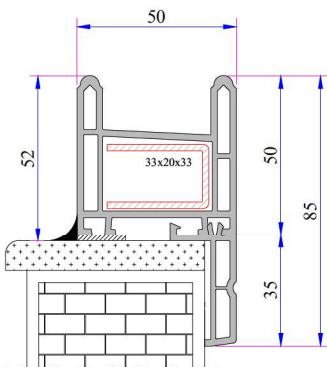


**330 Frame, Sash, Mullion, Outward Opening Sash Profile Reinforcement**  
Code: 34022-12003

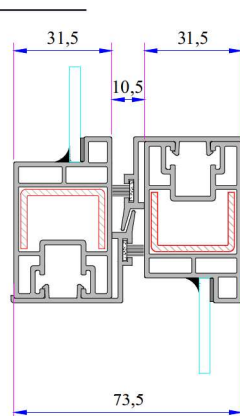


**Corner Profile (90°)**  
Code: 34022-12101

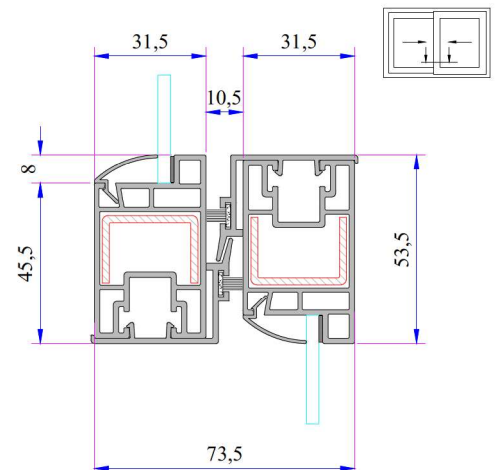
## W I50 Sliding Installation



**35mm Frame Sill Profile Installation**



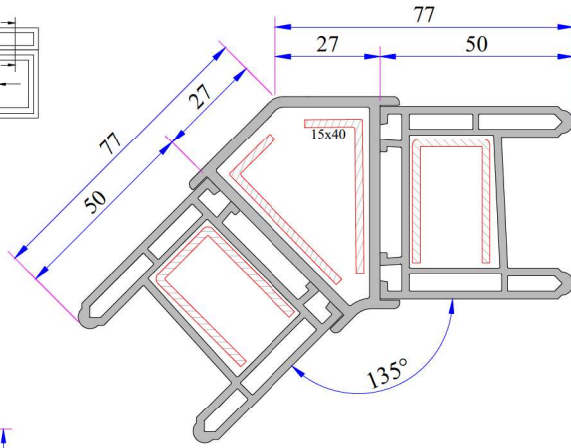
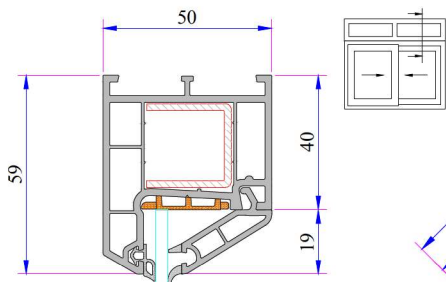
**Sliding Sash - Sash Cover Profile Installation**



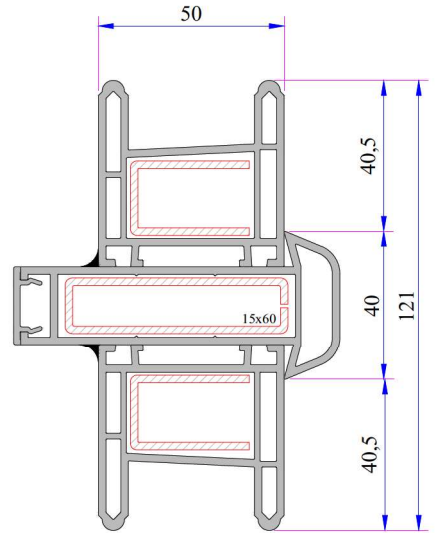
**Sliding Sash - Sash Cover Profile Installation**



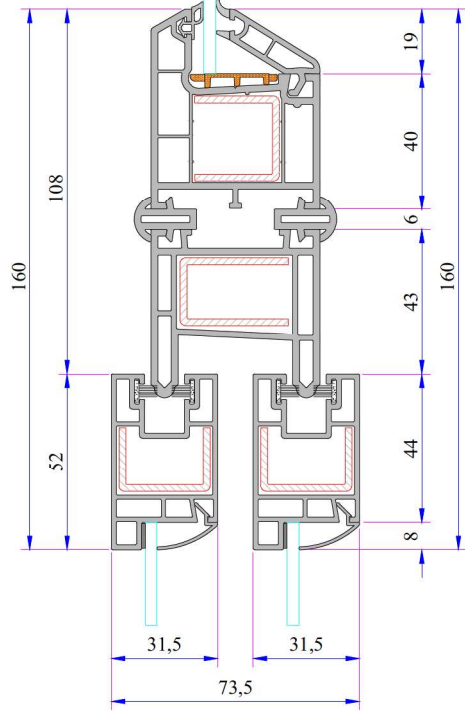
# W 150 SLIDING SERIES PVC PROFILE SYSTEM



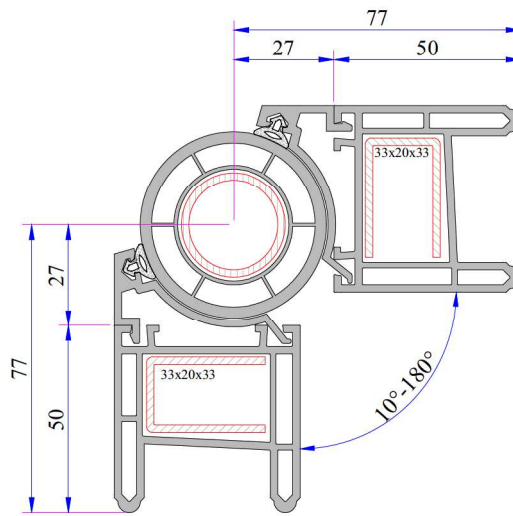
135° Corner Profile Installation



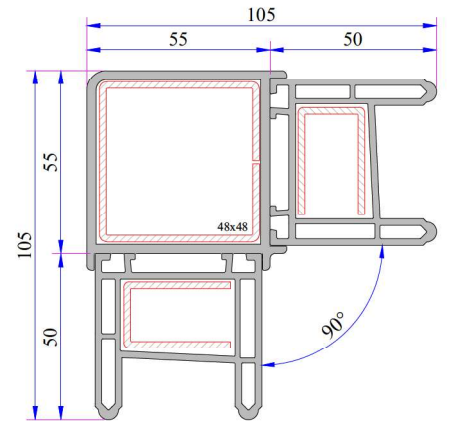
Universal Large Coupling Profile Installation



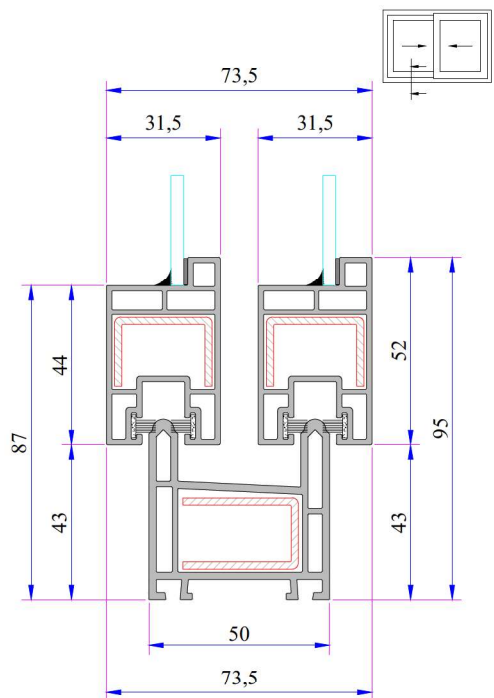
Sliding Frame - 330 Frame Installation



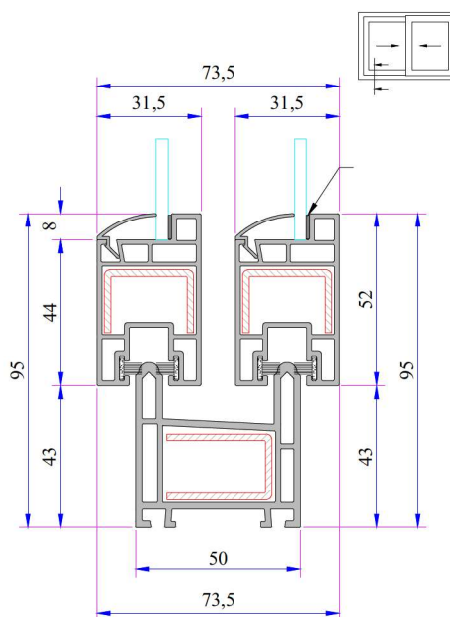
Corner And Pipe Profile Installation



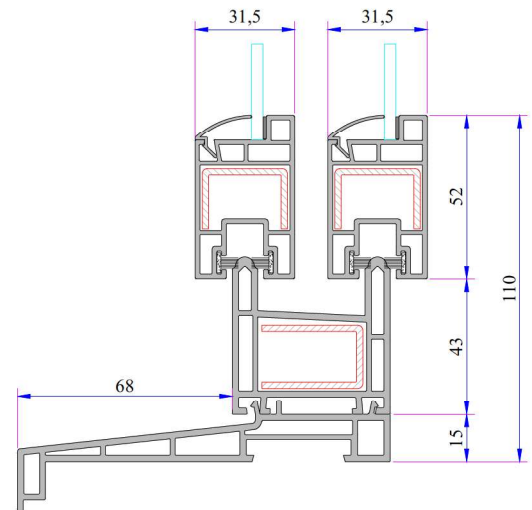
90° Corner Profile Installation



Sliding Frame Profile - Sliding Sash Profile Installation



Sliding Frame Profile - Sliding Sash Profile Installation



Sill Profile Installation



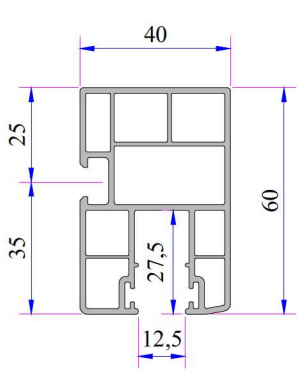
## INSTRUCTION

### ADO ROLLER SHUTTER PROFILE SERIES

- With 190 x 190 mm, 190 x 225 mm, 225 x 225 mm 155 x 155 mm 4 different type of boxes give us possibility to work on desired wall thickness, width and height due to 190 x 225 mm ve 225 x 225 mm boxes, it has a chance to use roller shutter with heat insulation.
- It provides the possibility of installation inside and outside the wall. The installation of blade and maintenance - is possible from inside for all kinds room of renovation.
- It can be applied with motor, remote control and manual cord.
- The sliding rails are available with blade of roller shutter of measurements 37 mm, 39 mm, 42 mm, 50 mm, 55 mm.

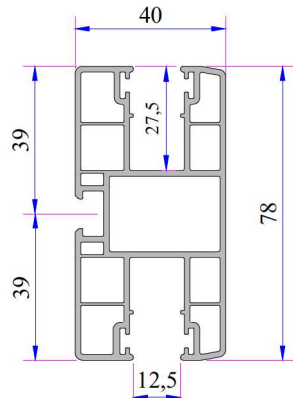
# ROLLER SHUTTER PROFILE SYSTEM

## 190x190mm BOX OF ROLLER SHUTTER



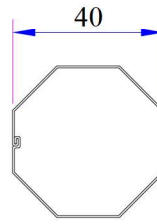
**37 mm Blade Side Rail**

Code:  
P.A.037.5602.600.0.00.19



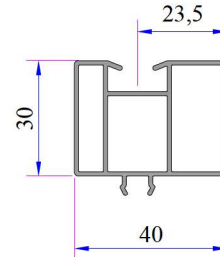
**37 mm Blade For Center Rail**

Code:  
P.A.037.5603.600.0.00.19



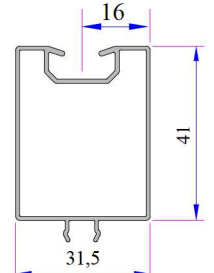
**Shutter Rewinding Drum Galvanized**

Code: 34019-41040



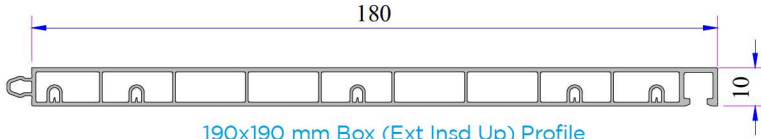
**Shutter Side Rail Lifting Profile**

Code: 21108-01000



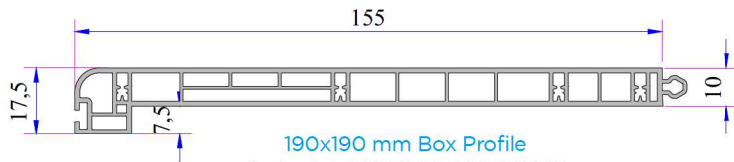
**Shutter Side Rail Lifting Profile**

Code: AD16-050



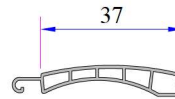
**190x190 mm Box (Ext Insd Up) Profile**

Code: P.A.097.5601.600.0.00.19



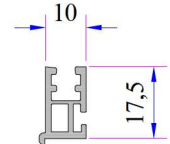
**190x190 mm Box Profile**

Code: P.A.097.5600.600.0.00.19



**37mm Shutter Blade**

Code: P.PNJ.01.37.IH.1.6000



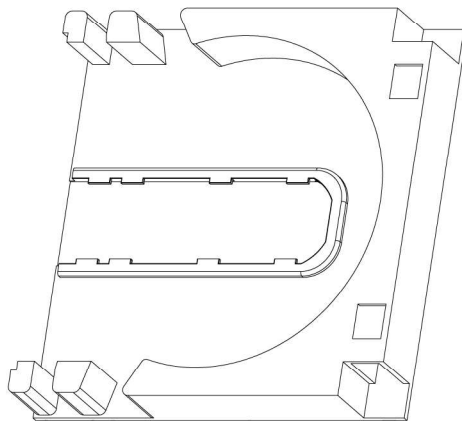
**PVC Bumber Bead**

Code: P.A.097.5605.600



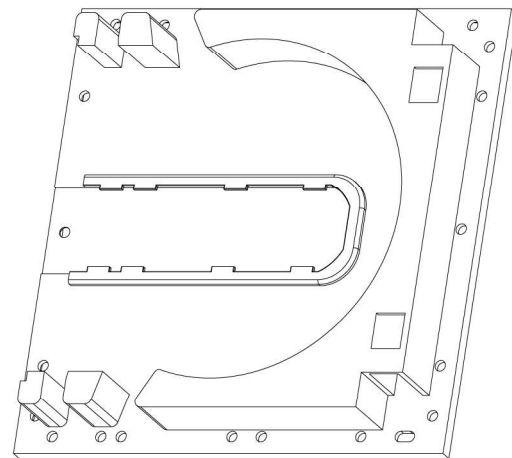
**Alm. Shutter Blade For Weight**

Code: 16012.601.5.1.1.9016



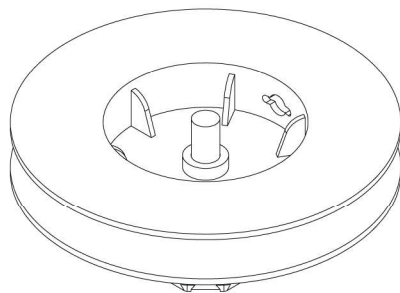
**190x190 mm Shutter Side Cover**

Code: 34019-11240



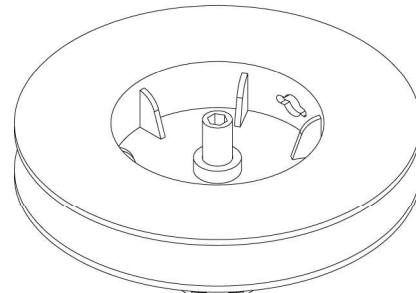
**190x190 mm Shutter Middle Cover**

Code: 34019-11210



**Big Roller**

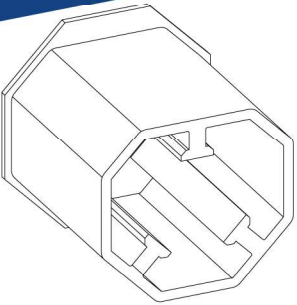
Code: 34019-11280



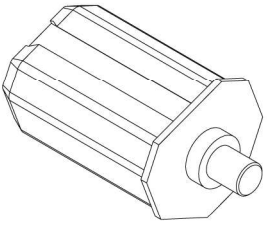
**Big Roller (Controlled By Unique Control Point)**

Code: 34019-11420

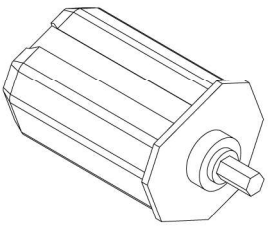
# ROLLER SHUTTER PROFILE SYSTEM



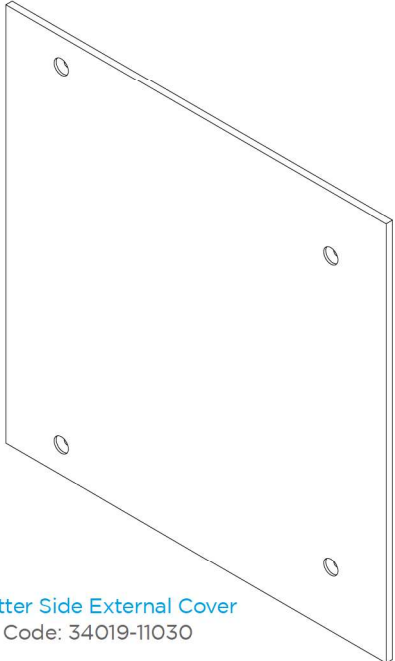
Shutter 40x60 Muff  
Code: 34019-11300



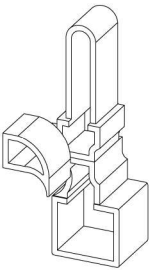
Shutter Small Roller  
Code: 34019-11290



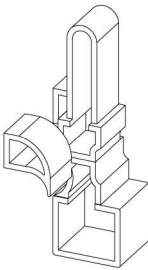
Small Roller Controlled By Unique Control Point)  
Code: 34019-11410



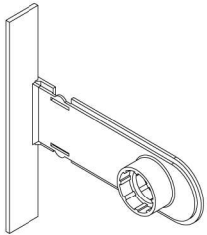
Shutter Side External Cover  
Code: 34019-11030



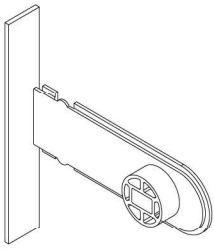
Shutter Rail On Side  
Code: 34019-11110



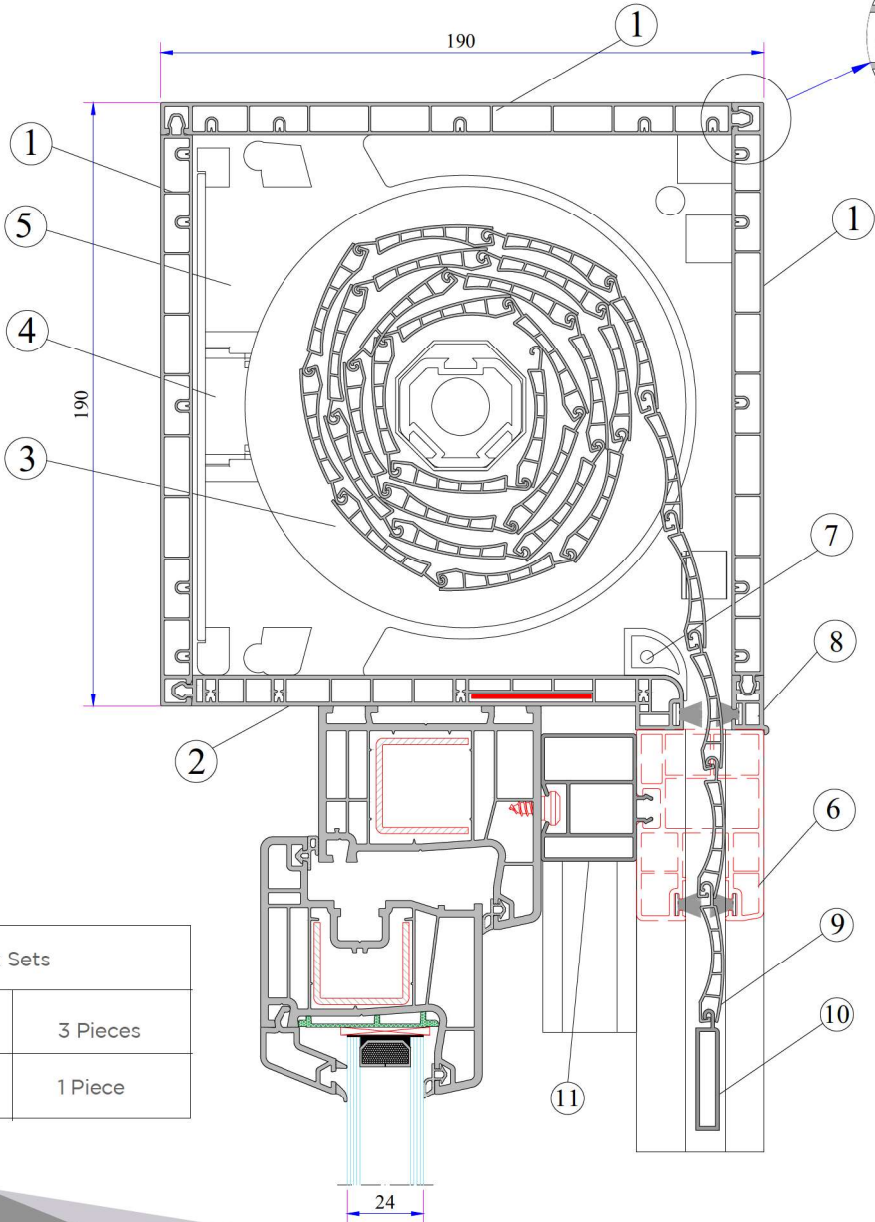
Shutter Rail In The Middle  
Code: 34019-11310



Shutter Side and Middle Roller  
Code: 34019-11250



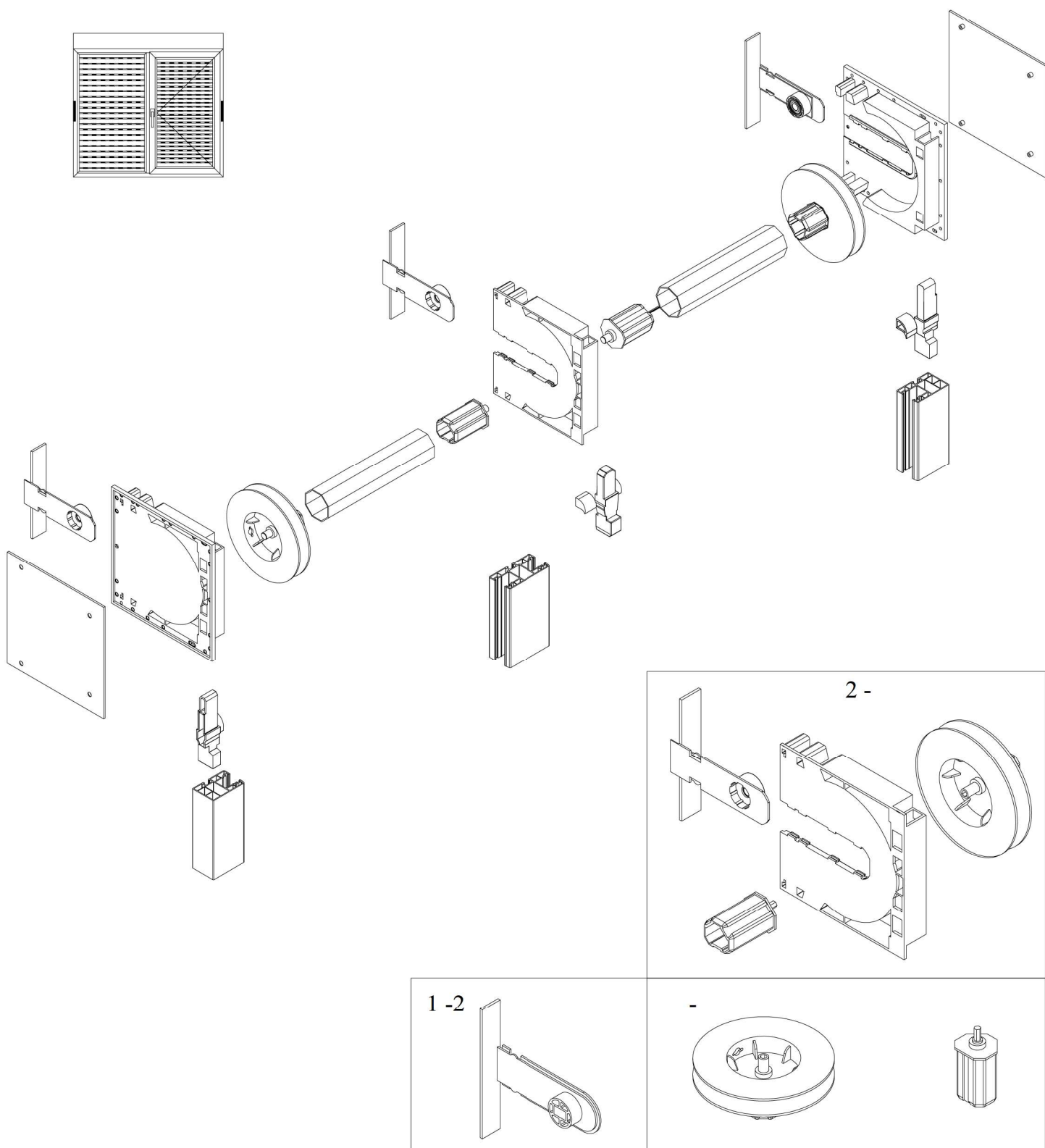
Shutter Side and Middle Roller (It Is For Motorized Roller Shutter)  
Code: 34019-11260



- 1- Box External - Superior - Inner profile
- 2- Bottom Box profile
- 3- Big Roller
- 4- Side cover sled
- 5- Side Cover
- 6- New side rail
- 7- Rails beading sled (Right -Left)
- 8- PVC Bumber Bead
- 9- Shutter blade
- 10- Alm. Blade for the weight
- 11- Middle Fly Screen with Pile Profile

190x190mm Roller Shutter Box Sets	
Roller Shutter, Inner External and Superior Box Profile	3 Pieces
Roller Shutter Lower Box Profile	1 Piece

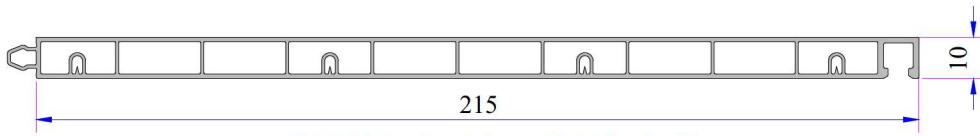
# ROLLER SHUTTER PROFILE SYSTEM



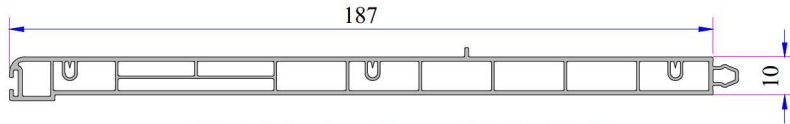
## Notes:

1. In case of motorized roller shutter use, only the inner side of the roller bearing should be selected as rectangular. The picture is upwards section.
2. The single-point controlled (which does not matter whether it is corded or motorized) roller shutters including 2, 3, 4 pieces will have the option of transferring the small and large roller at each crossing point. The small and large rollers pass each other with hexagonal heads.

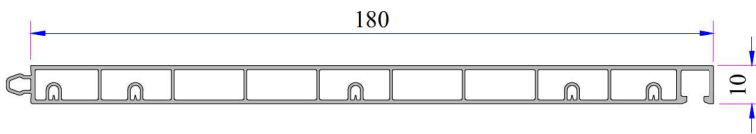
## 190x225mm INSULATED ROLLER SHUTTER BOXES



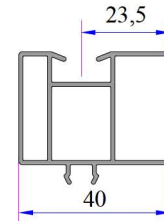
190x225 Insulated Above Side Box Profile  
Code: P.A.097.5611.600.0.00.19



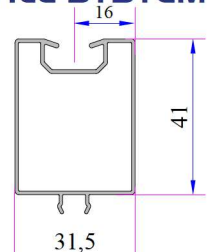
190x225 Insulated Bottom Side Box Profile  
Code: P.A.097.5612.600.0.00.19



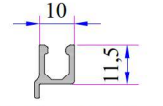
190x225 Insulated External And Inner Box Profile  
Code: P.A.097.5601.600.0.00.19



Shutter Side Rail Lifting Profile  
Code: 21108-01000



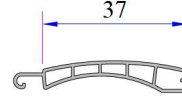
Shutter Side Rail Lifting Profile  
Code: AD16-050



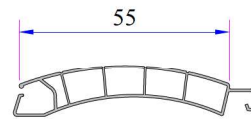
Alm. Bumber Bead  
Code: 16036.601.5.1.1.9016



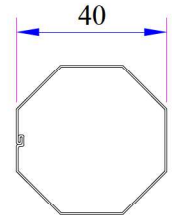
Alm. Blade For Weight  
Code: 16012.601.5.1.1.9016



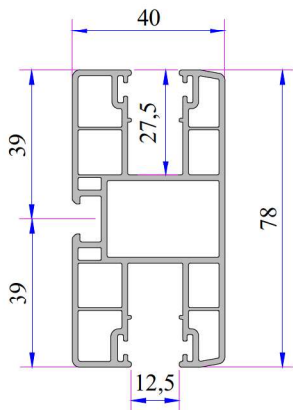
37' Shutter Blade  
Code: P.PNJ.01.37.IH.1.6000



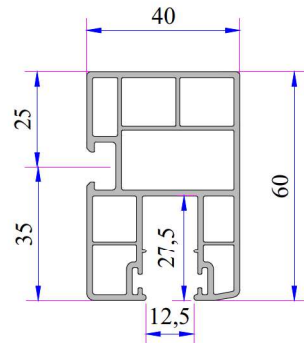
55' Shutter Blade  
Code: P.PNJ.01.55.1.6000



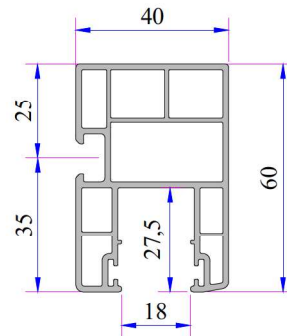
Shutter Rewinding Drum Galvanized  
Code: 34019-41040



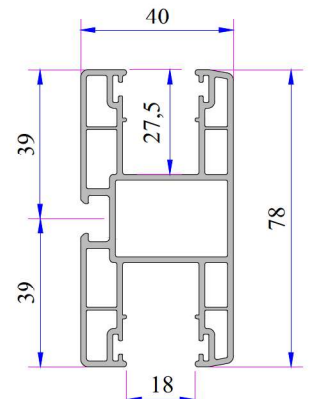
37' Side Rail Blade  
Code: P.A.097.5603.600.0.00.19



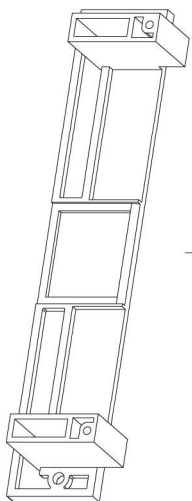
37' Middle Rail Blade  
Code: P.A.097.5602.600.0.00.19



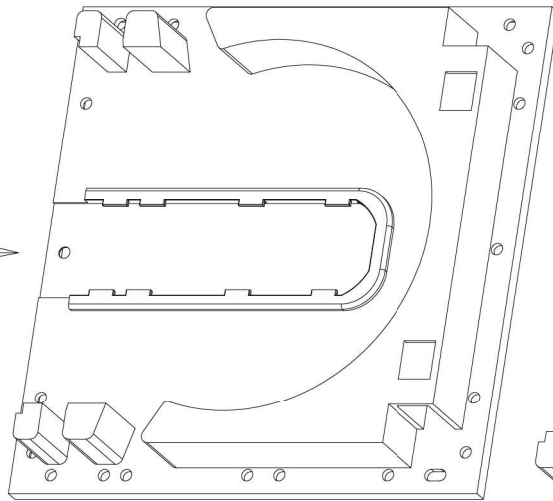
55' Side Rail Blade  
Code: P.A.097.5613.600.0.00.19



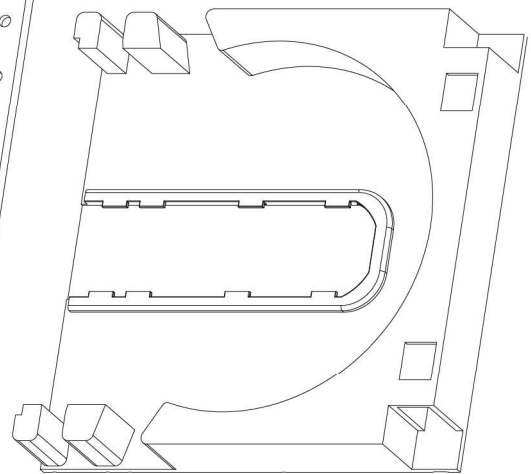
55' Middle Rail Blade  
Code: P.A.097.5614.600.0.00.19



190x225 mm Insulated Roller Shutter Side Extension Cover  
Code: 34019-11020

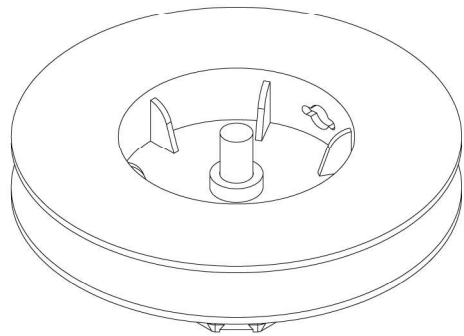


190x190 mm Shutter Side Cover  
Code: 34019-11210

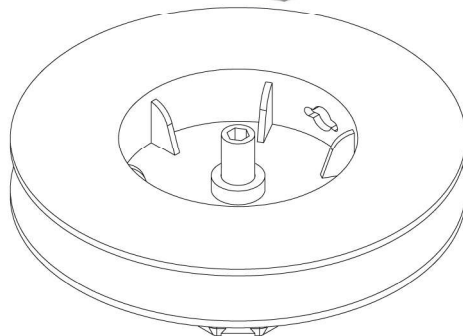


190x190 mm Shutter Middle Cover  
Code: 34019-11240

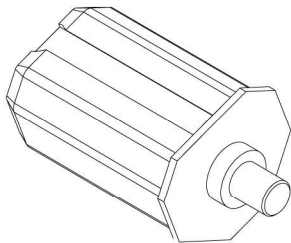
# ROLLER SHUTTER PROFILE SYSTEM



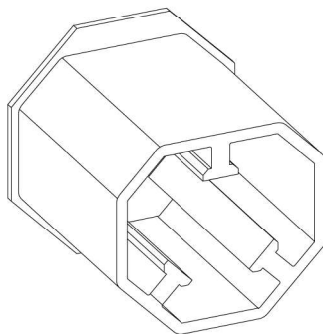
Shutter Big Roller  
Code: 34019-11280



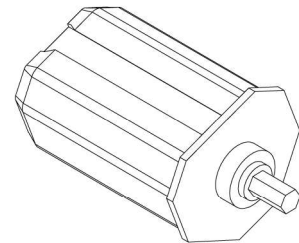
Big Roller (Controlled by Unique Control Point)  
Code: 34019-11420



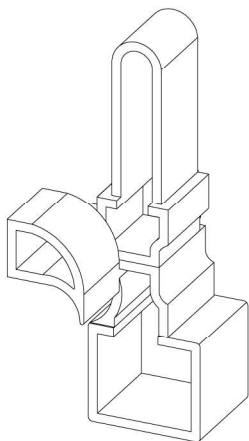
Shutter Small Roller  
Code: 34019-11290



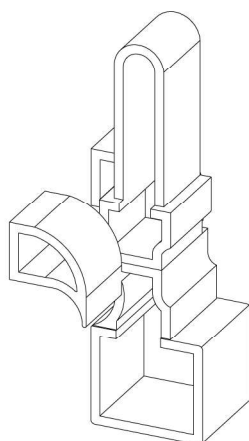
Shutter 40x60 Muff  
Code: 34019-11300



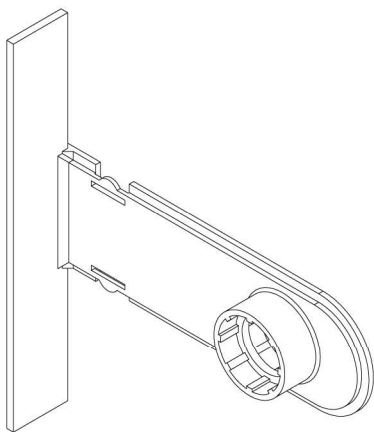
Small Roller (Controlled By  
Unique Control Point)  
Code: 34019-11410



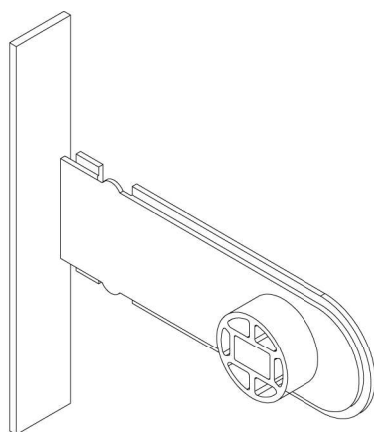
Shutter Side Rail Sled  
Code: 34019-11110



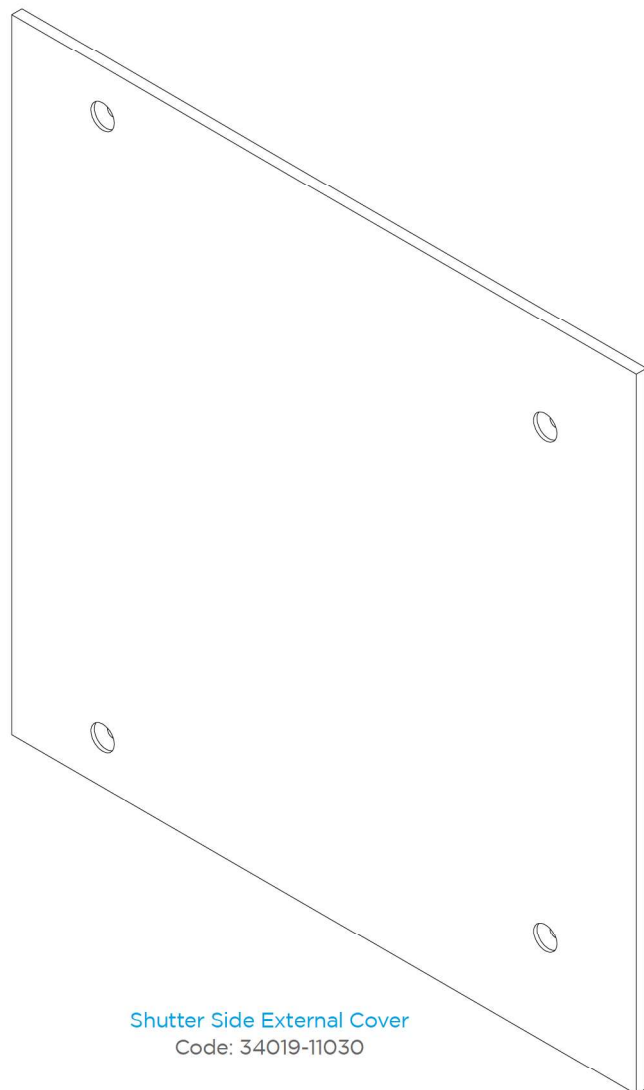
Shutter Middle Rail Sled  
Code: 34019-11310



Shutter Side and Middle  
Roller Setting  
Code: 34019-11250



Shutter Side and Middle Roller Setting  
(for Motorized Shutters)  
Code: 34019-11260



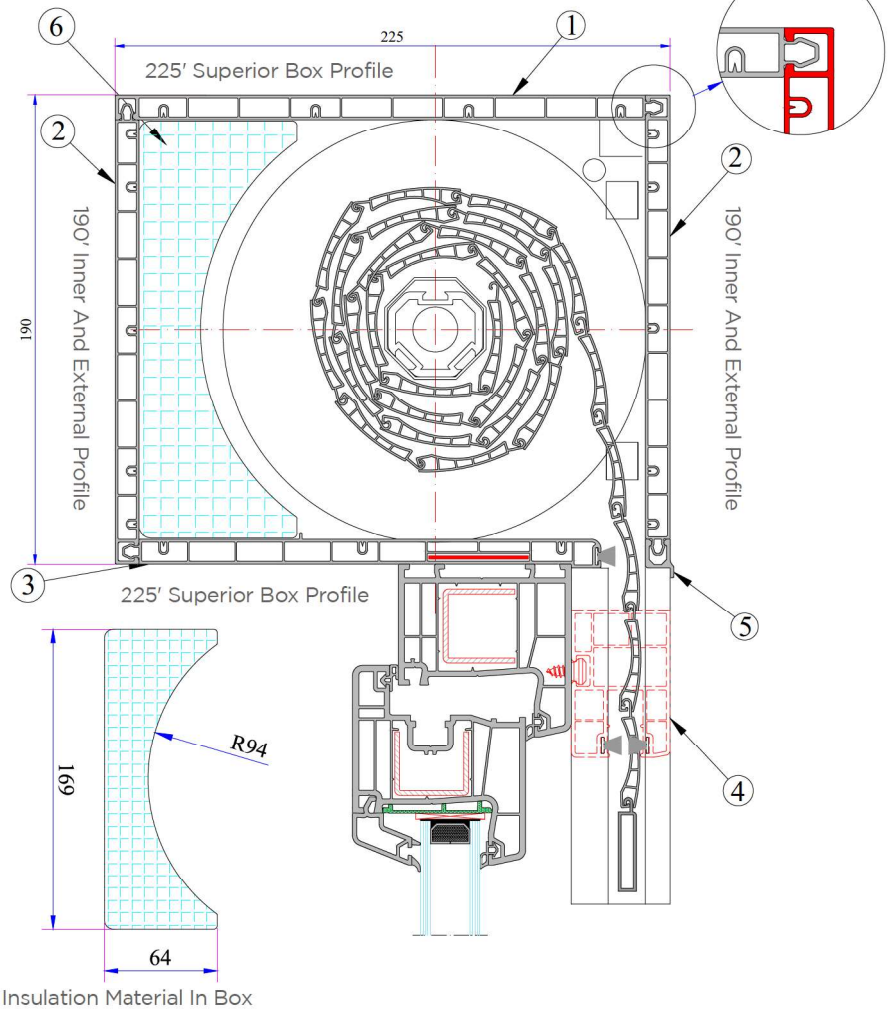
Shutter Side External Cover  
Code: 34019-11030

# ROLLER SHUTTER PROFILE SYSTEM

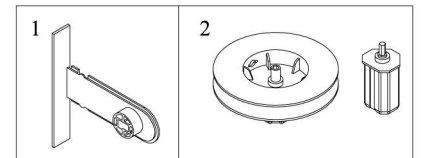
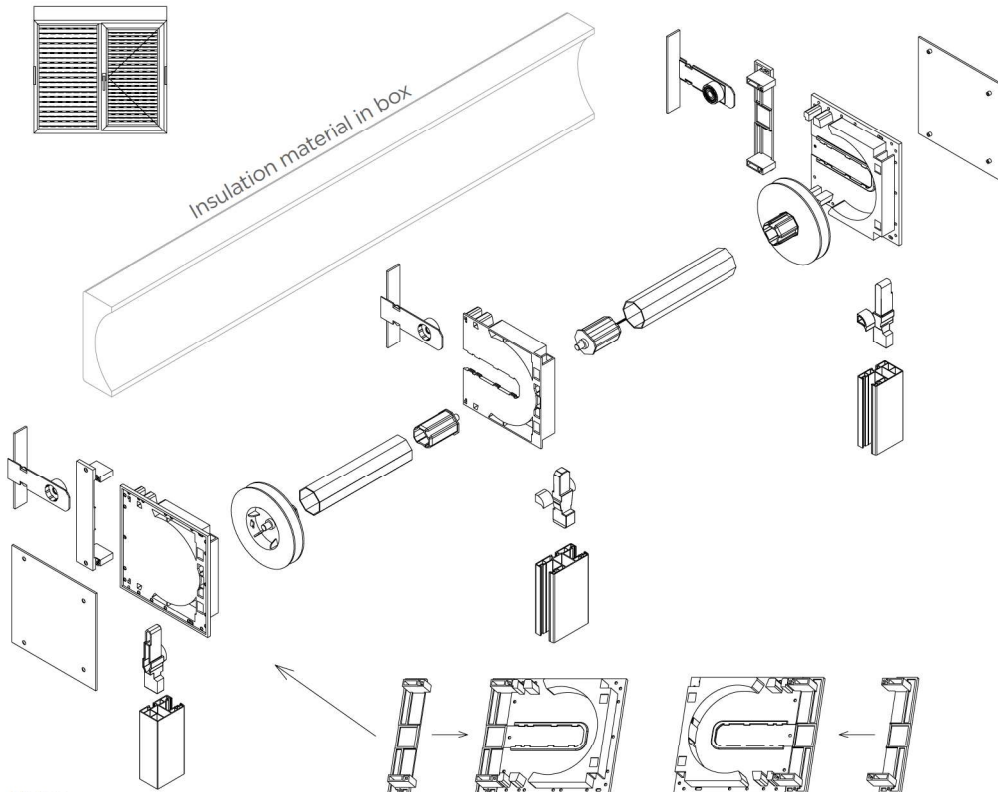
- 1- 225' Shutter Box Profile
- 2- 190' Shutter Box Profile
- 3- 225' Shutter Bottom Box Profile
- 4- 37 - 55 Shutter Side Rail Profile
- 5- Alm. Bumber Bead
- 6- Shutter Insulation Material

190X225mm Shutter Box Profile	
225x225mm Shutter Superior Box Profile	1 Piece
190x190mm Shutter External and Inner Profile	2 Pieces
225x225mm Shutter Bottom Box Profile	1 Piece

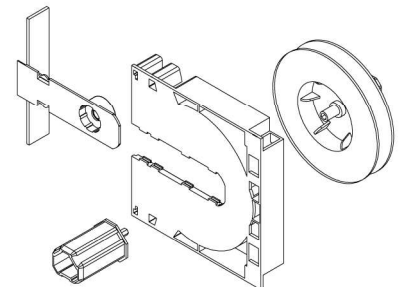
- 1- For 2400mm height, 37mm total 66 pieces lamel + alm. Screw will be used. (H/37mm + 1 Piece)
- 2- Total quantity of lamels is 27 in 1m 27. (1000/37mm)



Insulation Material In Box



The normal 190x190mm shutter is becoming a 190x225mm shutter box cover insulated with an additional extension cover on the inner side cover.



Optional Pieces For Single Head Control

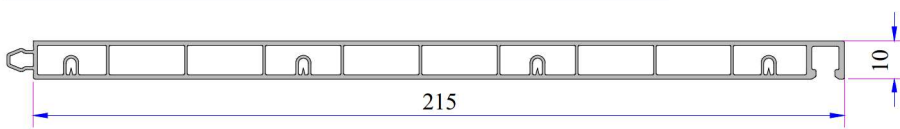
**Note:**

- 1- In case of motorized roller shutter use, only the inner side of the roller bearing should be selected as rectangular. The picture is upwards section.
- 2- The single-point controlled (which does not matter whether it is corded or motorized) roller shutters including 2-3-4-pieces will have the option of transferring the small and large roller at each crossing point. The small and large rollers pass each other with hexagonal heads.

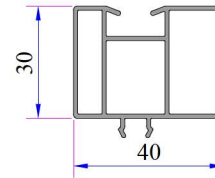


# ROLLER SHUTTER PROFILE SYSTEM

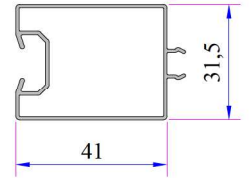
## 225x225mm SHUTTER BOXES



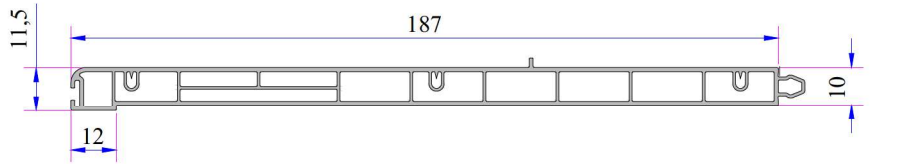
225x225' Insulated Superior Box Profile  
Code: P.A.097.5611.600.0.00.19



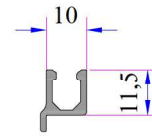
Shutter Side Rail Lifting Profile  
Code: 21108-01000



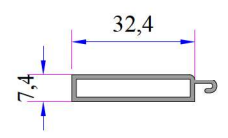
Shutter Side Rail Lifting Profile  
Code: AD16-050



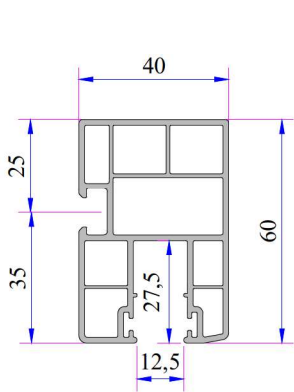
225x225' Insulated Bottom Profile  
Code: P.A.097.5612.600.0.00.19



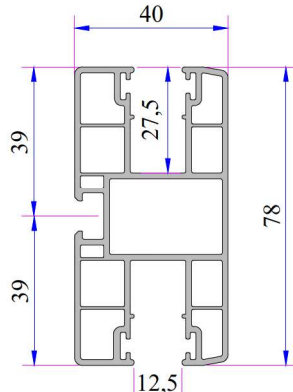
Alm. Bumber Bead  
Code:  
16036.601.5.11.9016



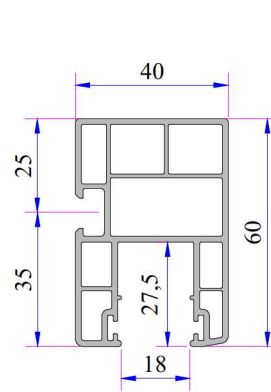
37' Blade Alm. For Weight  
Code:  
16012.601.5.11.9016



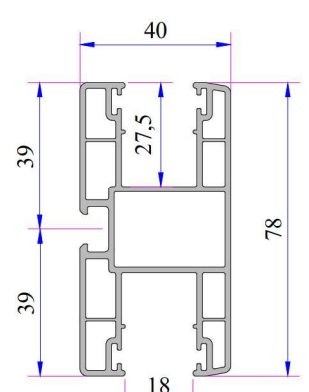
37' Side Blade  
Code:  
P.A.097.5602.600.0.00.19



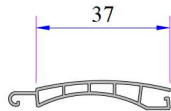
37' Middle Rail Blade  
Code:  
P.A.097.5603.600.0.00.19



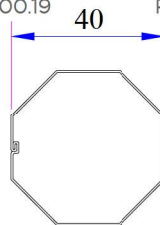
55' Side Rail Blade  
Code:  
P.A.097.5613.600.0.00.19



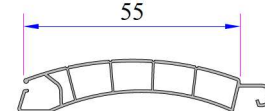
55' Middle Rail Blade  
Code:  
P.A.097.5614.600.0.00.19



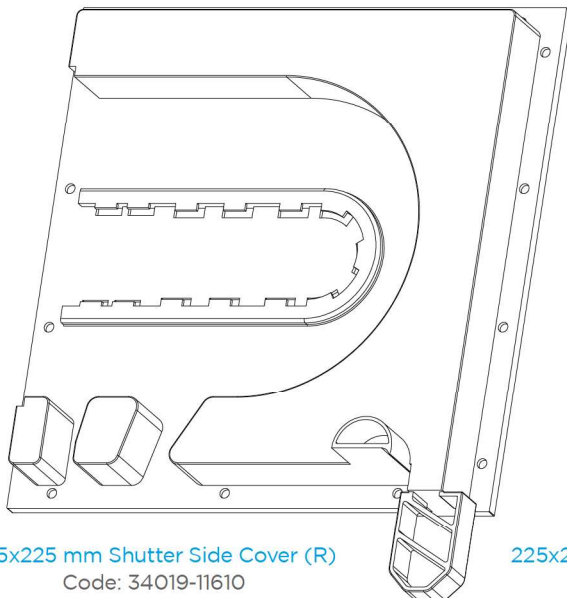
37' Shutter Blade  
Code: P.PNJ.01.37.1H.1.6000



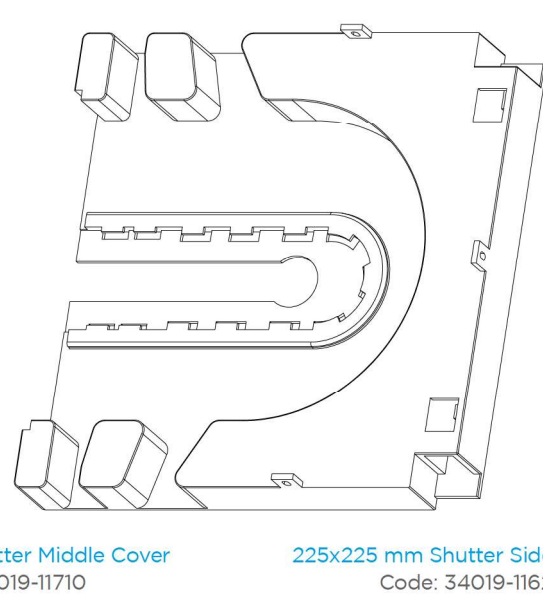
Shutter Rewinding Drum Profile Galvanized  
Code: 34019-41040



55' Shutter Blade  
Code: P.PNJ.01.55.1.6000

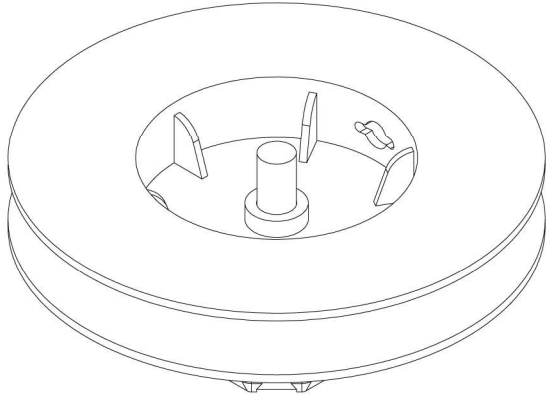


225x225 mm Shutter Side Cover (R)  
Code: 34019-11610

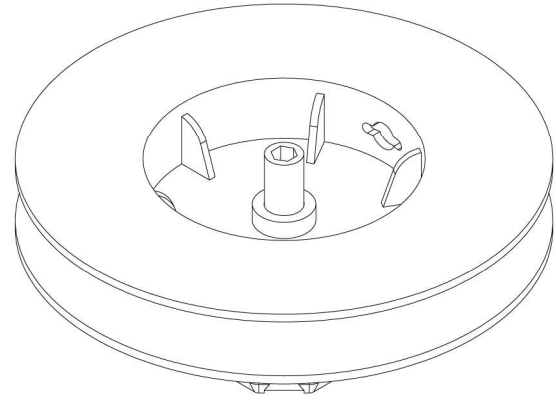


225x225 mm Shutter Middle Cover  
Code: 34019-11710

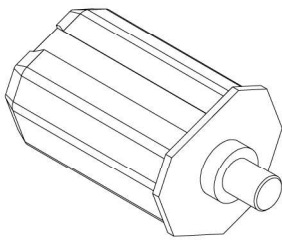
225x225 mm Shutter Side Cover (L)  
Code: 34019-11620



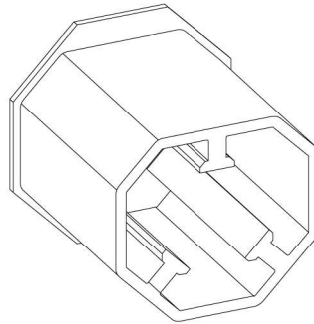
**Shutter Big Roller**  
Code: 34019-11280



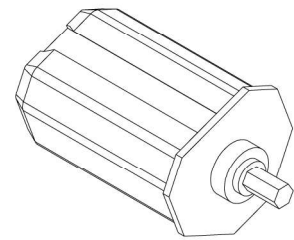
**Big Roller (It Is Controlled By Unique Point)**  
Code: 34019-11420



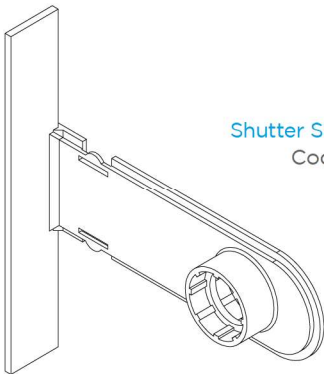
**Shutter Small Roller**  
Code: 34019-11290



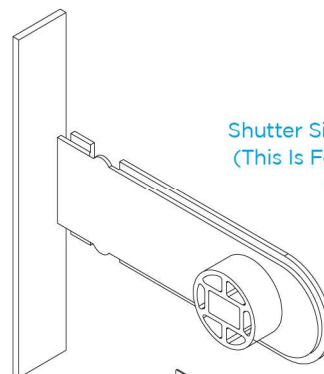
**Shutter 40x60 Muff**  
Code: 34019-11300



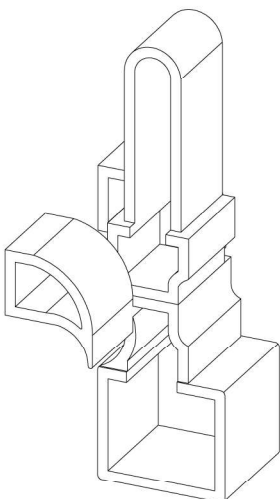
**Small Roller (It is Controlled By Unique Point)**  
Code: 34019-11410



**Shutter Side And Middle Roller**  
Code: 34019-11250

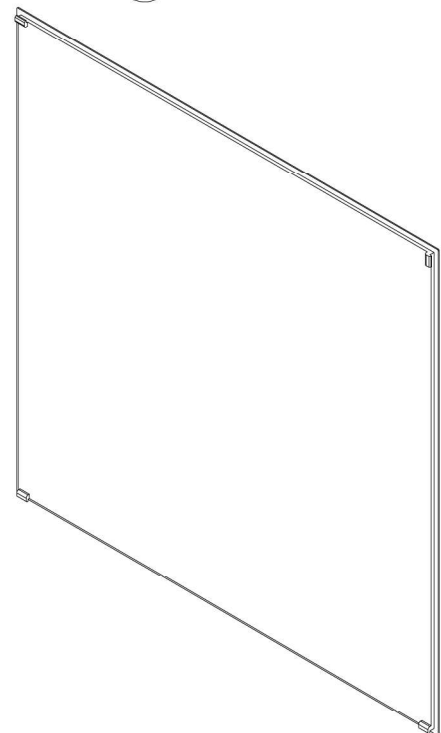


**Shutter Side And Middle Roller Sitting  
(This Is For Motorized Roller Shutter)**  
Code: 34019-11260

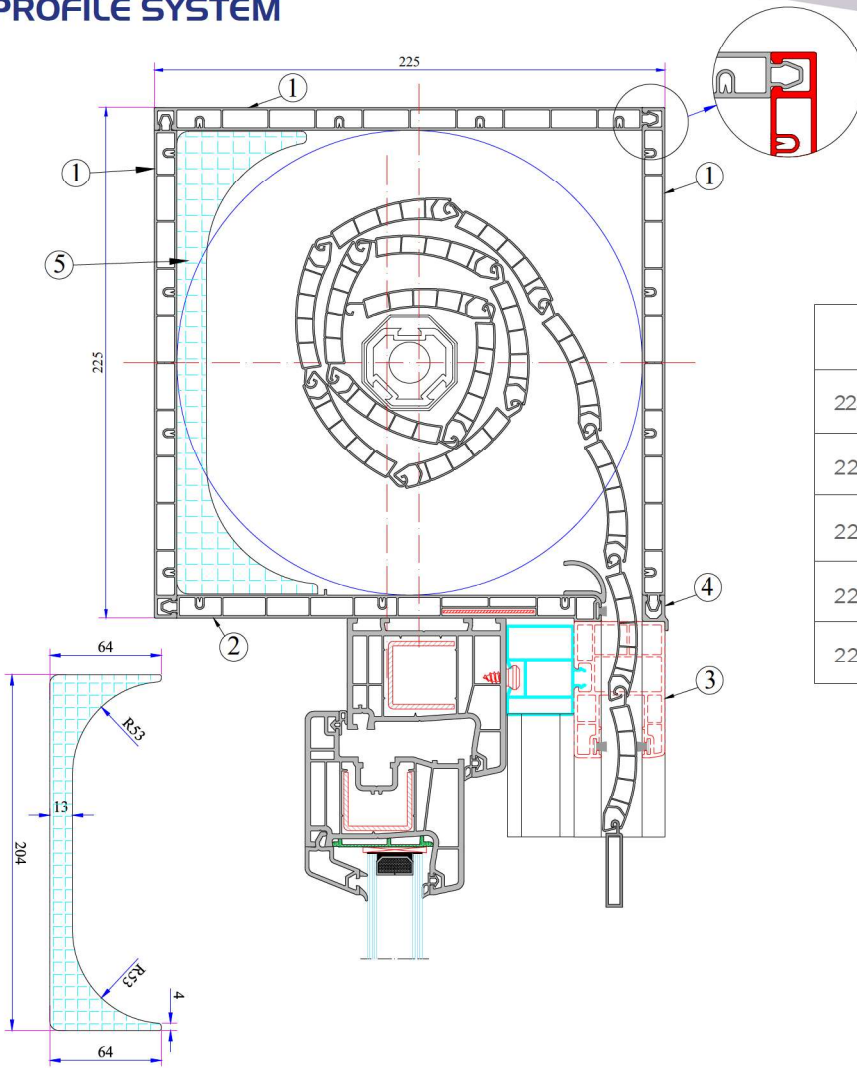


**Shutter Middle Rail Sled**  
Code: 34019-11310

**Shutter External Side Cover**  
Code: 34019-11510

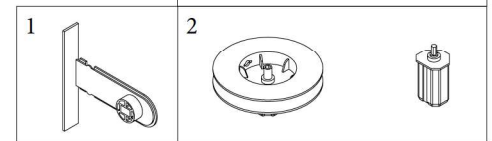
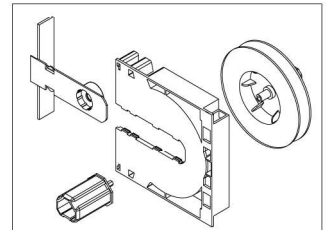


# ROLLER SHUTTER PROFILE SYSTEM

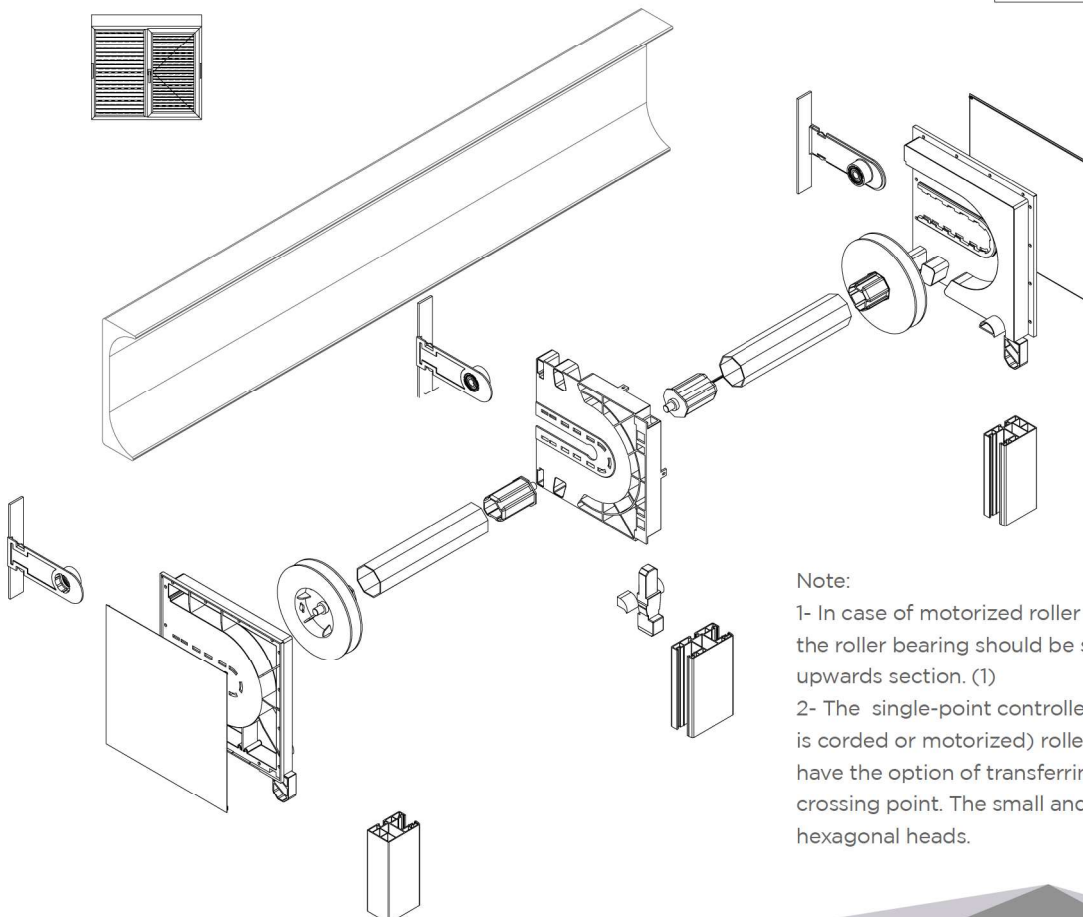


Insulation Material For Boxes

225x225mm Shutter Box Set	
225x225mm Shutter Inner And External Box Profile	3 Pieces
225x225mm Shutter Lower Side Box Profile	1 Piece
225x225mm Shutter Side Rail Profile	2 Pieces
225x225mm Alm. Bumber Bead	1 Piece
225x225mm Insulation Materials For Boxes	1 Piece



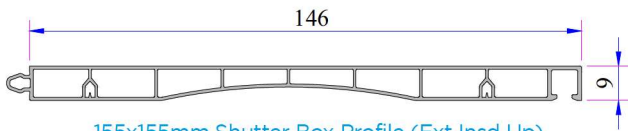
Optional Pieces For Single Hand Control



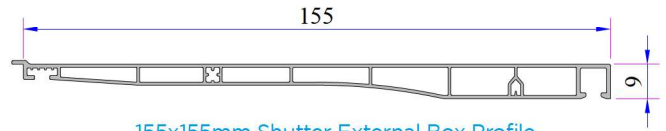
**Note:**

- 1- In case of motorized roller shutter use, only the inner side of the roller bearing should be selected as rectangular. The picture is upwards section. (1)
- 2- The single-point controlled (which does not matter whether it is corded or motorized) roller shutters including 2-3-4-pieces will have the option of transferring the small and large roller at each crossing point. The small and large rollers pass each other with hexagonal heads.

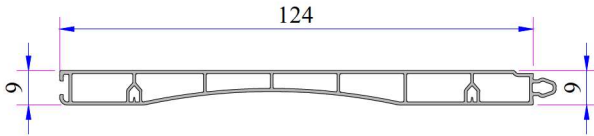
**155x155mm SHUTTER BOXES**



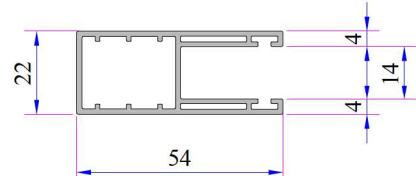
**155x155mm Shutter Box Profile (Ext Insd Up)**  
Code: P.A.097.5607.600.0.00.19



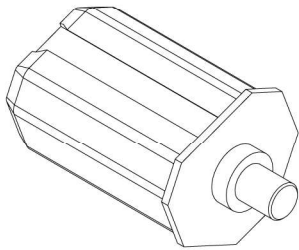
**155x155mm Shutter External Box Profile**  
Code: P.A.097.5606.600.0.00.19



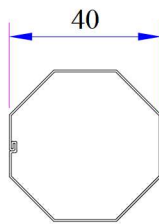
**155x155mm Shutter Bottom Box Profile**  
Code: P.A.097.5608.600.0.00.19



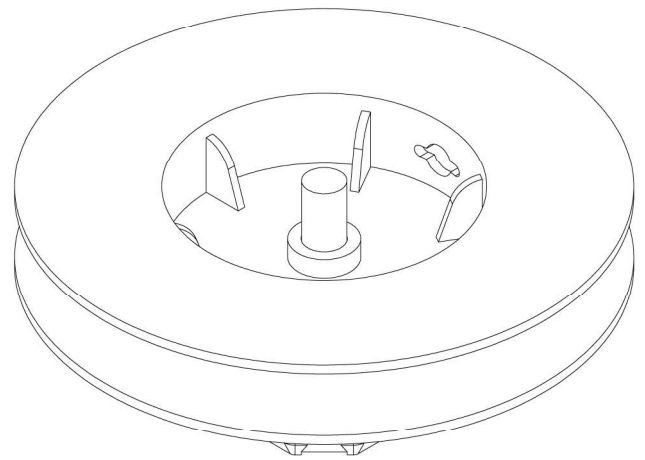
**155x155mm Shutter Side Rail Profile**  
Code: P.A.097.5609.600.0.00.19



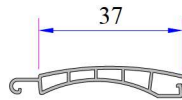
**Shutter Small Roller**  
Code: 34019-11290



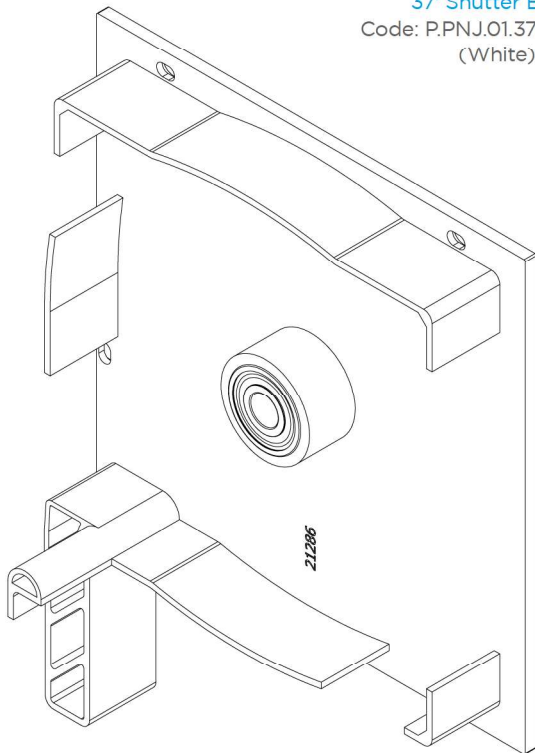
**Shutter Rewinding Drum Galvanized**  
Code: 34019-41040



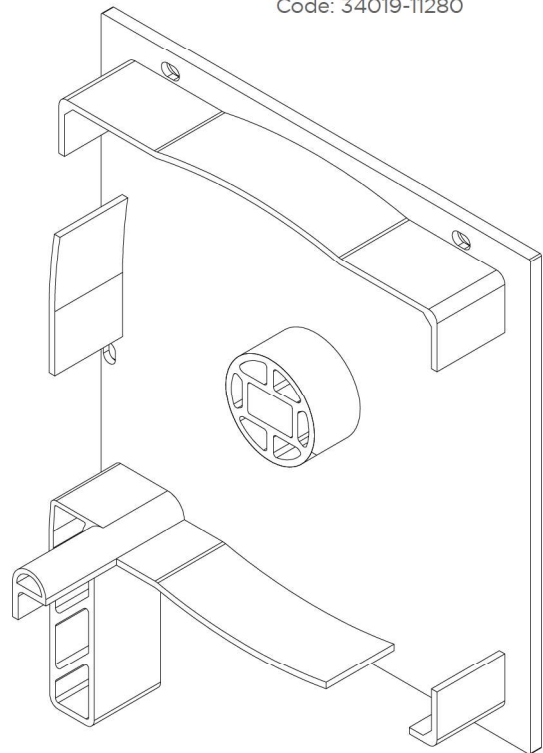
**Shutter Big Roller**  
Code: 34019-11280



**37' Shutter Blade**  
Code: P.PNJ.01.37.IH.1.6000  
(White)

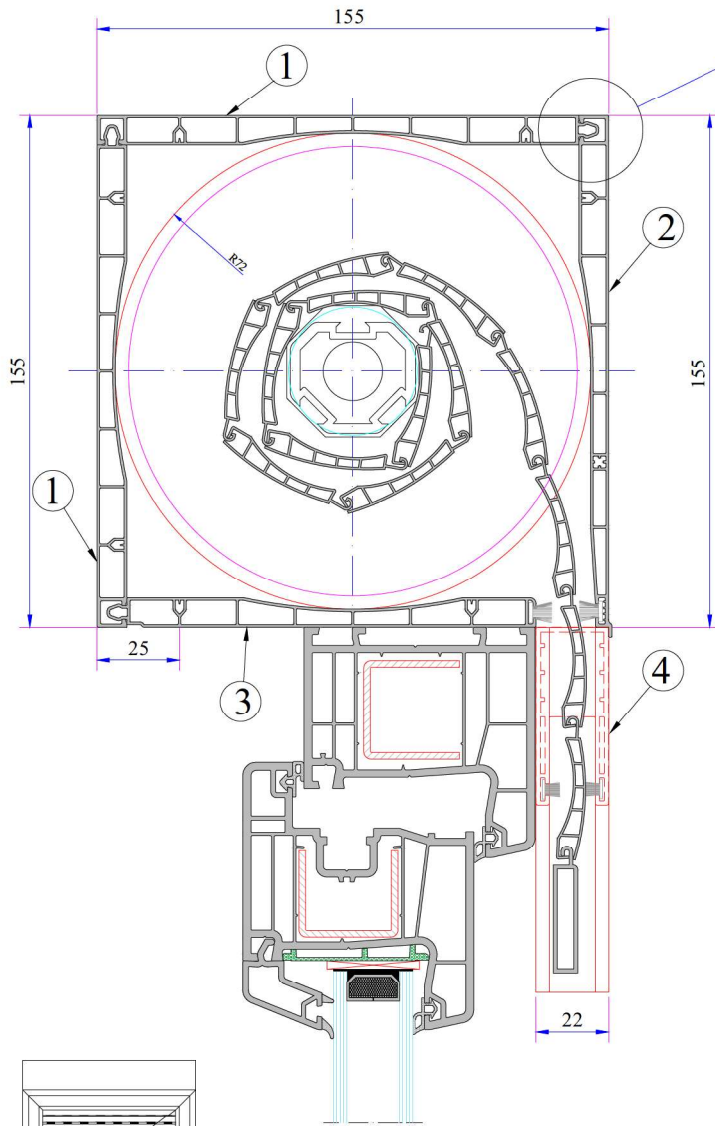


**155x155 mm Corded Shutter Side Profile Left And Right Are Different)**  
Code: 34019-11040

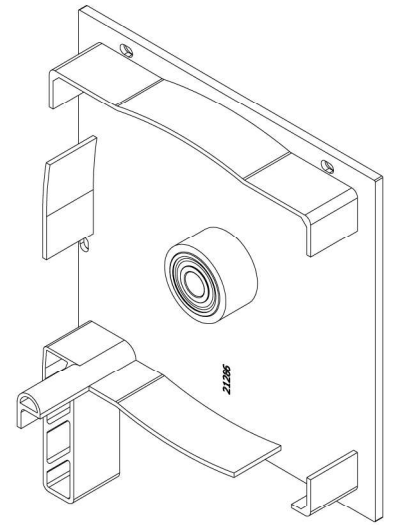


**155x155 mm Motorized Shutter Side Cover (Left And Right Are Different)**  
Code: 34019-11050

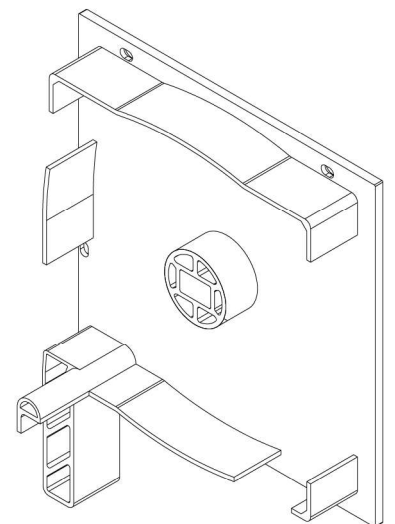
# ROLLER SHUTTER PROFILE SYSTEM



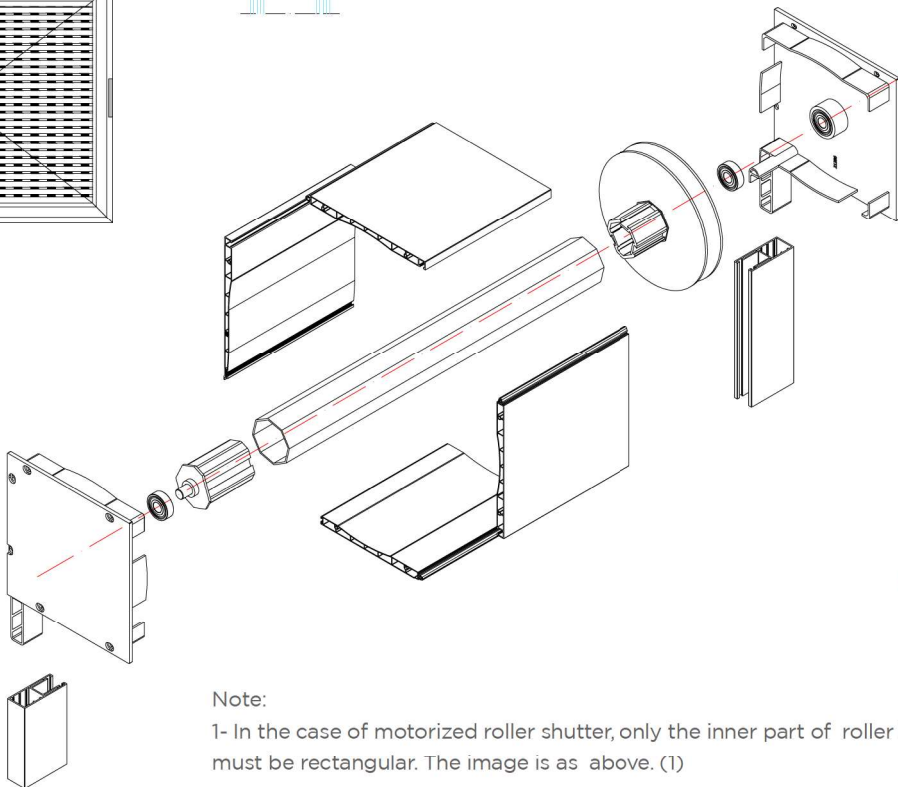
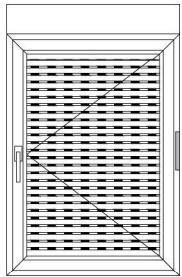
155x155mm Roller Shutter Box Systems		
1	Shutter Inner And Superior Box Profile	2 Pieces
2	Shutter External Box Profile	1 Piece
3	Shutter Lower Side Box Profile	1 Piece
4	Shutter Side Rail Profile	2 Pieces



155x155 mm Corded Shutter Side Cover  
(Right And Left Side Are Different)  
Code: 34019-11040



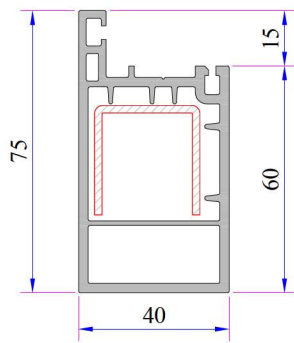
155x155 mm Motorized Shutter Side Cover  
(Right And Left Sides Are The Same)  
Code: 34019-11050



**Note:**

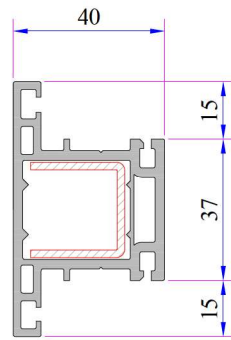
1- In the case of motorized roller shutter, only the inner part of roller bearing must be rectangular. The image is as above. (1)

SHUTTER MAIN PROFILES

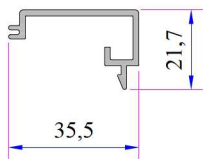


**Sash Profile**  
Code: P.A.098.5900.600.0.00.19

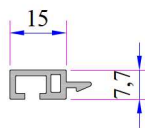
**Mullion Profile**  
Code: P.A.098.5901.600.0.00.19



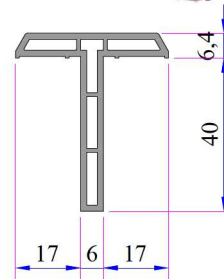
SHUTTER AUXILIARY PROFILES



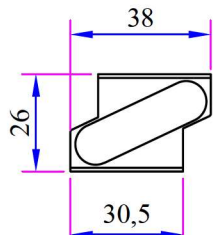
**Sash Cover Profile**  
Code: P.A.098.5905.600



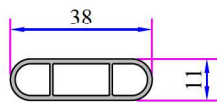
**Shutter Blade Bead**  
Code: P.A.098.5904.600



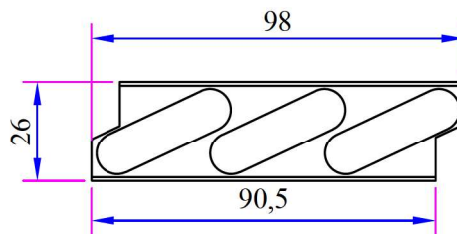
**T Profile**  
Code: P.A.098.5902.600



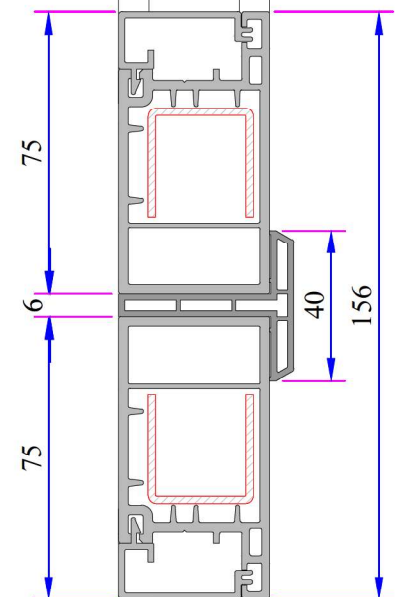
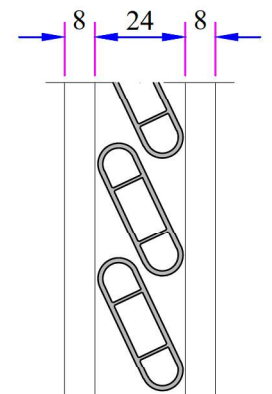
**Single Sled**  
Code: 34020-11010



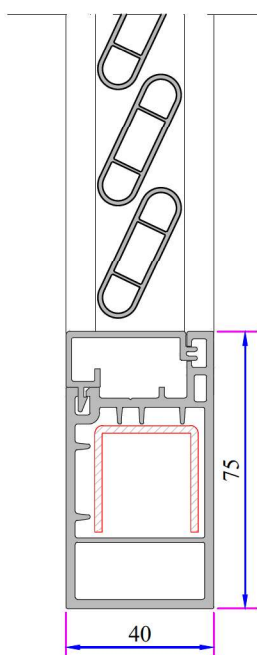
**Shutter Blade**  
Code: P.A.098.5603.600



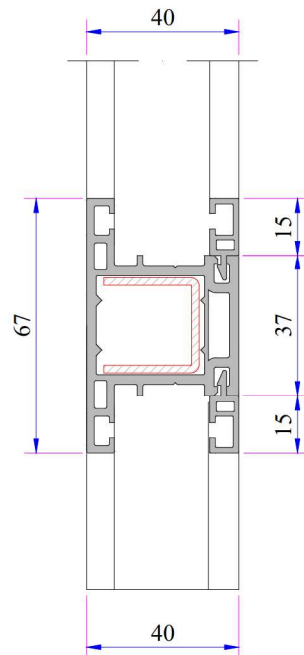
**Shutter Blade Bead**  
Code: 34020-11020



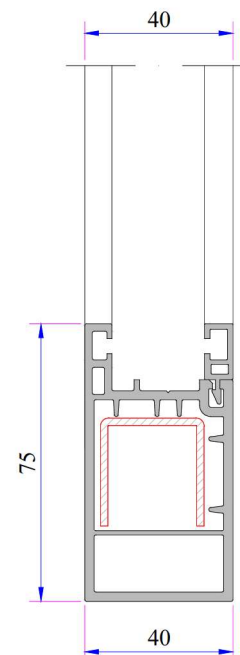
SHUTTER INSTALLATION



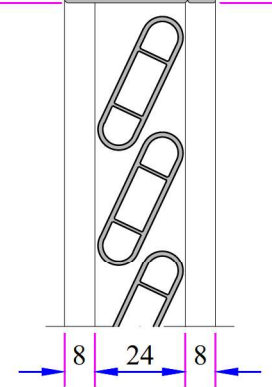
Shutter Blade Sash Installation



Shutter Mullion Installation

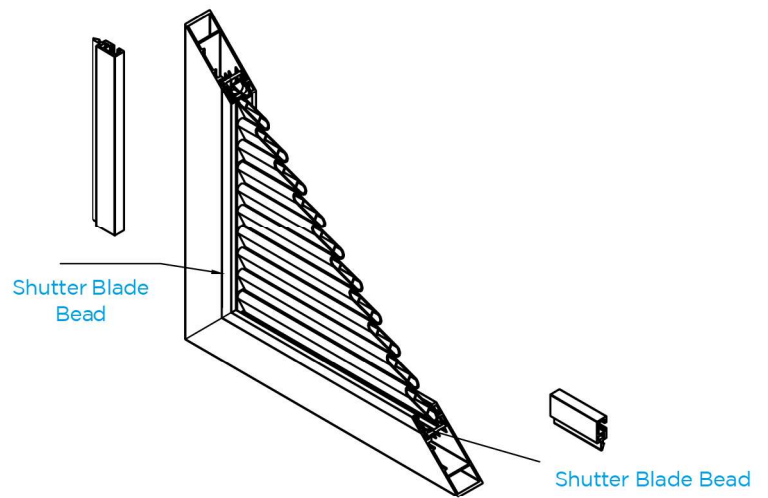
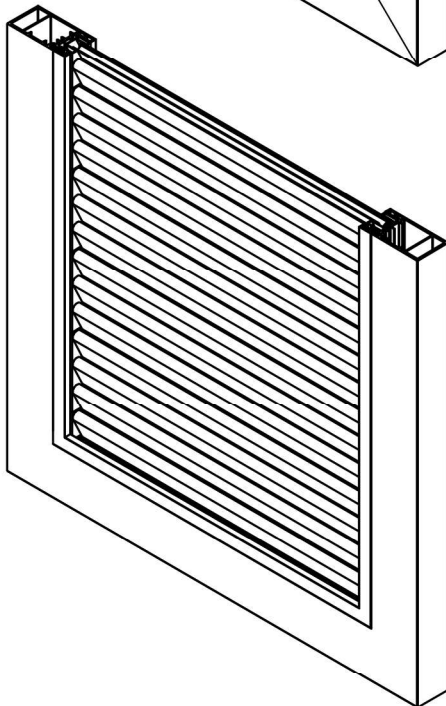
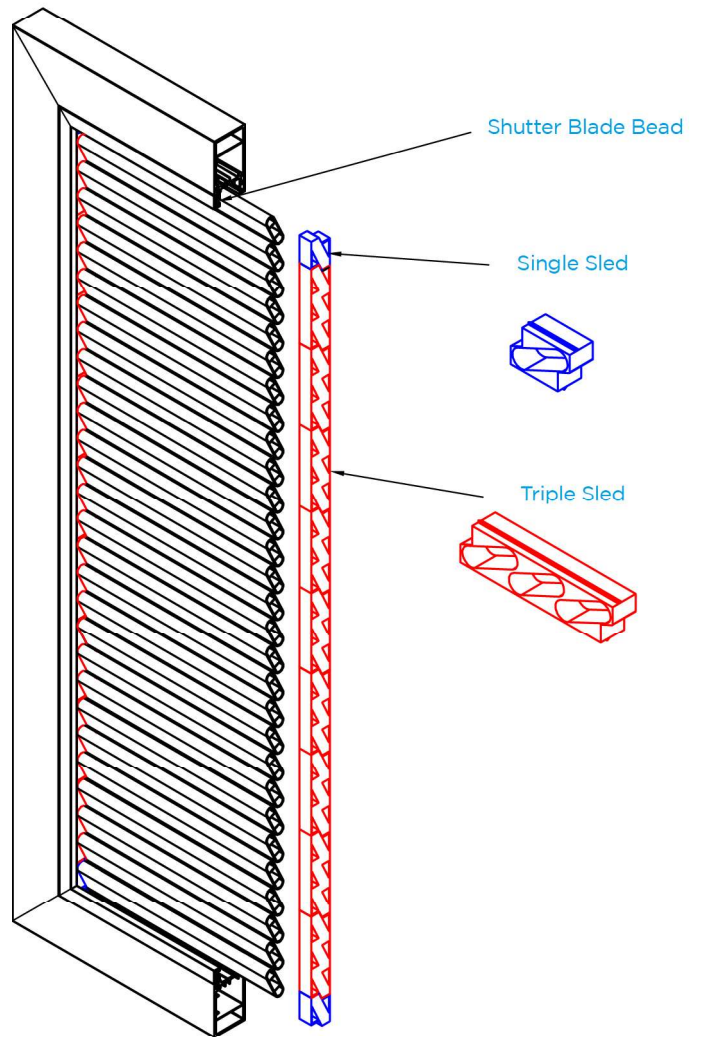
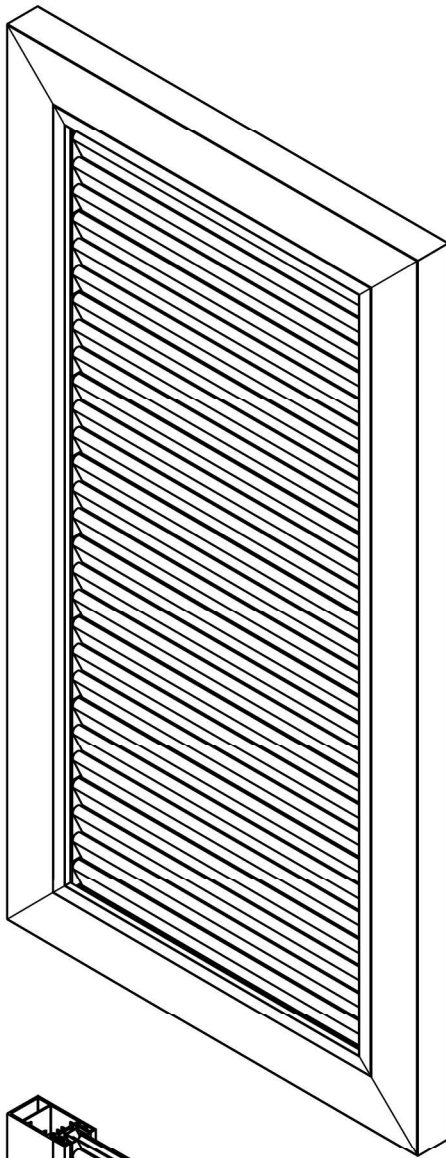


Shutter Blade Bead Installation

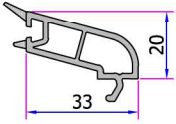
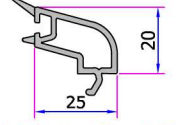
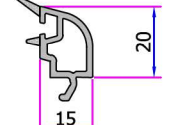
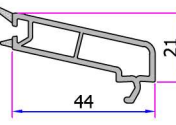
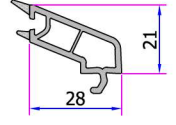
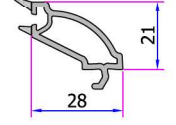
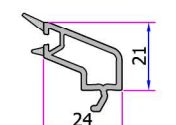
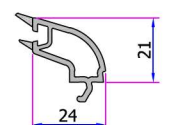
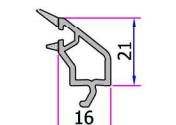


Shutter Installation

# SHUTTER SYSTEM

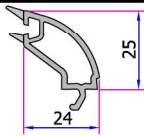
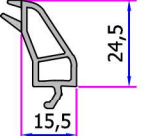
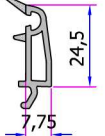


# GLAZING BEAD COMBINATION TABLE

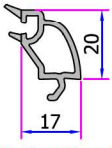
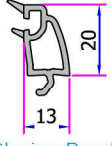
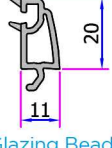
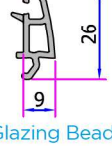

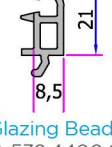
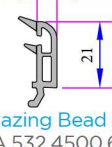
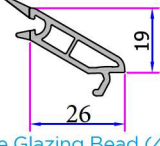
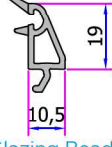
80' Serie Glazing Beads (800-860)						
 <p>Double Glazing Bead (24mm) Code: P.A.800.4200.600.0.HC</p>	Series	80 Series	70 Series	60 Series	232 Sliding Series	222 Sliding Series
	Glass Thickness	24 mm	15 mm	6-8 mm		
 <p>Double Glazing Bead (32mm) Code: P.A.800.4500.600.0.HC</p>	Series	80 Series	70 Series	60 Series	232 Sliding Series	222 Sliding Series
	Glass Thickness	32 mm	24 mm	17 mm	6 mm	
 <p>Double Glazing Bead (42mm) Code: P.A.800.4600.600.0.HC</p>	Series	80 Series	70 Series	60 Series	232 Sliding Series	222 Sliding Series
	Glass Thickness	42 mm	34 mm	26 mm	16 mm	8 mm
70' Serie Glazing Beads(750-752)						
 <p>Single Glazing Bead (4-6mm) Code: P.A.750.4000.600.0.HC</p>	Series	80 Series	70 Series	60 Series	232 Sliding Series	222 Sliding Series
	Glass Thickness	14 mm	4 mm			
 <p>Double Glazing Bead (20mm) Code: P.A.750.4100.600.0.HC</p>	Series	80 Series	70 Series	60 Series	232 Sliding Series	222 Sliding Series
	Glass Thickness	30 mm	20 mm	12 mm	4 mm	
 <p>Dec. Double Glazing Bead (20mm) Code: P.A.750.4102.600.0.HC</p>	Series	80 Series	70 Series	60 Series	232 Sliding Series	222 Sliding Series
	Glass Thickness	30 mm	20 mm	12 mm	4 mm	
 <p>Double Glazing Bead (24mm) Code: P.A.750.4200.600.0.HC</p>	Series	80 Series	70 Series	60 Series	232 Sliding Series	222 Sliding Series
	Glass Thickness	32-34 mm	24 mm	17 mm	8 mm	
 <p>Dec. Double Glazing Bead (24mm) Code: P.A.750.4204.600.0.HC</p>	Series	80 Series	70 Series	60 Series	232 Sliding Series	222 Sliding Series
	Glass Thickness	32-34 mm	24 mm	17 mm	8 mm	
 <p>Triple Glazing Bead (32mm) Code: P.A.750.4500.600.0.HC</p>	Series	80 Series	70 Series	60 Series	232 Sliding Series	222 Sliding Series
	Glass Thickness	42 mm	32 mm	24 mm	15 mm	8 mm



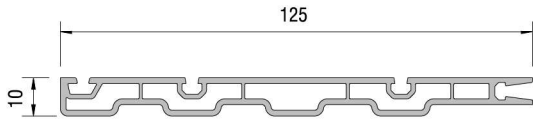
# GLAZING BEAD COMBINATION TABLE

Triple Sealed Series Glazing Beads (873 - 777)						
 Double Glazing Bead (24mm) Code: P.A.777.4204.600.0.HC	Series	873 Series	777 Series	60 Series	232 Sliding Series	222 Sliding Series
	Glass Thickness	24 mm	24 mm			
 Triple Glazing Bead (32mm) Code: P.A.777.4302.600.0.HC	Series	873 Series	777 Series	60 Series	232 Sliding Series	222 Sliding Series
	Glass Thickness	32 mm	32 mm			
 Triple Glazing Bead (40mm) Code: P.A.433.4500.600.0.HC	Series	873 Series	777 Series	60 Series	232 Sliding Series	222 Sliding Series
	Glass Thickness	40 mm	40 mm			

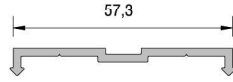
60' Serie Glazing Beads (760 - 632 - 624 - 101)						
 Single Glazing Bead (4mm) Code: P.A.101.4002.600.0.HC	Series	80 Series	70 Series	60 Series	232 Sliding Series	222 Sliding Series
	Glass Thickness	22 mm	12 mm	4 mm		
 Dec. Double Glazing Bead (20mm) Code: P.A.101.4000.600.0.HC	Series	80 Series	70 Series	60 Series	232 Sliding Series	222 Sliding Series
	Glass Thickness	38 mm	28 mm	20 mm	12 mm	4 mm
 Double Glazing Bead (20mm) Code: P.A.101.4102.600.0.HC	Series	80 Series	70 Series	60 Series	232 Sliding Series	222 Sliding Series
	Glass Thickness	38 mm	28 mm	20 mm	12 mm	4-5 mm
 Dec. Double Glazing Bead (24mm) Code: P.A.101.4102.600.0.HC	Series	80 Series	70 Series	60 Series	232 Sliding Series	222 Sliding Series
	Glass Thickness	42 mm	32 mm	24 mm	15 mm	8 mm
 Triple Glazing Bead (32mm) Code: P.A.101.4500.600.0.HC	Series	80 Series	70 Series	60 Series	232 Sliding Series	222 Sliding Series
	Glass Thickness	50 mm	40 mm	32 mm	24 mm	17 mm

60' Serie Glazing Beads (760-632-624-101)						
 <p>Double Glazing Bead (24mm) Code: P.A.900.4206.600.0.HC</p>	Series	80 Series	70 Series	60 Series	232 Sliding Series	222 Sliding Series
	Glass Thickness	40 mm	32 mm	24 mm	15 mm	6-8 mm
 <p>Double Glazing Bead (28mm) Code: P.A.900.4306.600.0.HC</p>	Series	80 Series	70 Series	60 Series	232 Sliding Series	222 Sliding Series
	Glass Thickness	44 mm	36 mm	28 mm	18 mm	10 mm
 <p>Double Glazing Bead (30mm) Code: P.A.900.4406.600.0.HC</p>	Series	80 Series	70 Series	60 Series	232 Sliding Series	222 Sliding Series
	Glass Thickness	46 mm	38 mm	30 mm	20 mm	14 mm
 <p>Double Glazing Bead (32mm) Code: P.A.900.4506.600.0.HC</p>	Series	80 Series	70 Series	60 Series	232 Sliding Series	222 Sliding Series
	Glass Thickness	48 mm	40 mm	32 mm	22 mm	15 mm
 <p>Double Glazing Bead (24mm) Code: P.A.532.4202.600.0.HC</p>	Series	80 Series	70 Series	60 Series	232 Sliding Series	222 Sliding Series
	Glass Thickness	42 mm	34 mm	26 mm	16 mm	8 mm
 <p>Double Glazing Bead (30mm) Code: P.A.532.4400.600.0.HC</p>	Series	80 Series	70 Series	60 Series	232 Sliding Series	222 Sliding Series
	Glass Thickness	48 mm	40 mm	32 mm	22 mm	15 mm
 <p>Triple Glazing Bead (32mm) Code: P.A.532.4500.600.0.HC</p>	Series	80 Series	70 Series	60 Series	232 Sliding Series	222 Sliding Series
	Glass Thickness	50-52 mm	42 mm	34 mm	24 mm	18 mm
Sliding Serie Glazing Beads (232)						
 <p>Single Glazing Bead (4mm) Code: P.A.332.4000.600.0.HC</p>	Series	80 Series	70 Series	60 Series	232 Sliding Series	222 Sliding Series
	Glass Thickness	30 mm	22 mm	14 mm	4 mm	
 <p>Double Glazing Bead (20mm) Code: P.A.332.4100.600.0.HC</p>	Series	80 Series	70 Series	60 Series	232 Sliding Series	222 Sliding Series
	Glass Thickness	46 mm	38 mm	30 mm	20 mm	14 mm

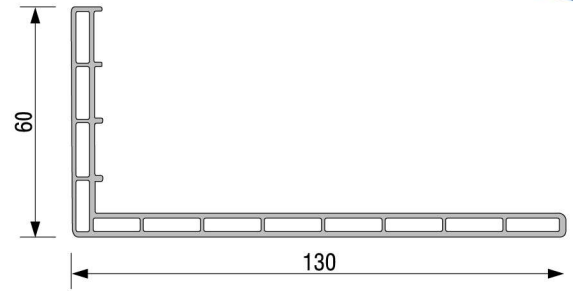
# AUXILIARY PROFILE



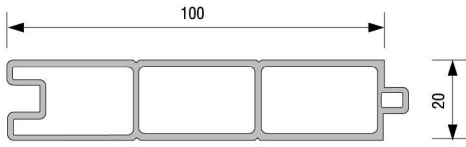
**Dcr. Window Border (125x10)**  
Code: P.YRD.01.DPP.600



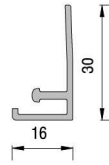
**Dcr. Window Border Fixing Prf.**  
Code: P.YRD.01.DPM.600



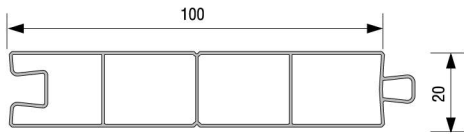
**60x130 Border Profile**  
Code: P.A.099.5503.600.0.00.19



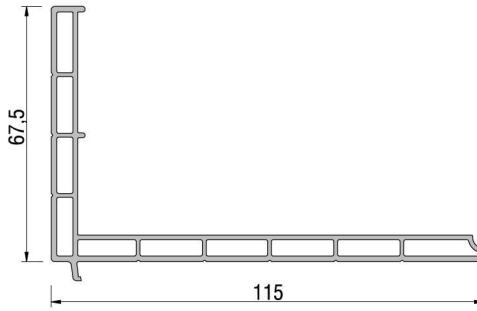
**Panel Profile**  
Code: P.A.099.5400.600.0.00.19



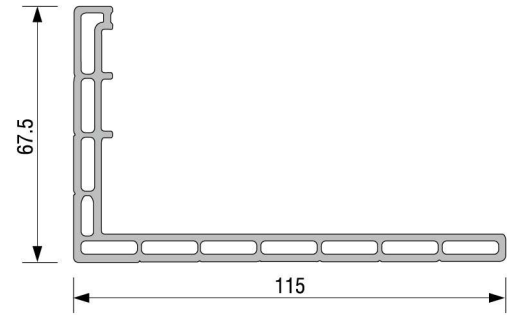
**Dcr. Window Border F Profile**  
Code: P.YRD.01.DPF.600



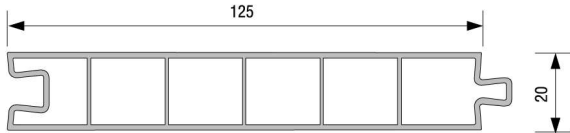
**New Panel Profile**  
Code: P.A.099.5401.600.0.00.19



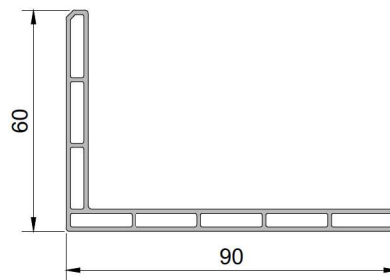
**Panel Profile (67.5x115)**  
Code: P.A.099.5506.600.0.00.19



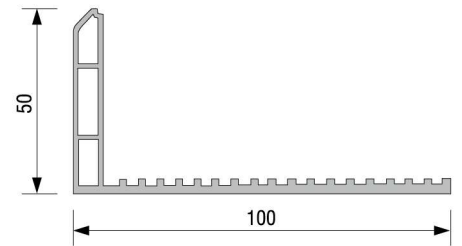
**Frame Panel Profile**  
Code: P.A.099.5505.600.0.00.19



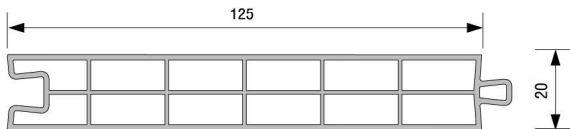
**Panel Profile (125)**  
Code: P.A.099.5404.600.0.00.19



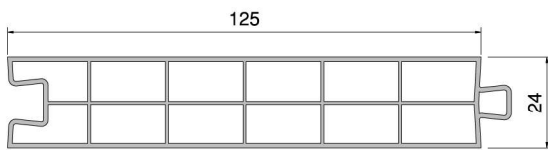
**Panel Profile (60x90)**  
Code: P.A.099.5502.600.0.00.19



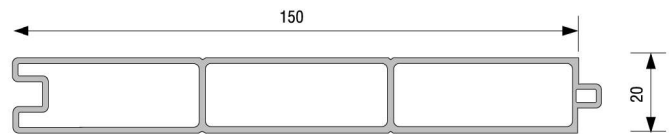
**Panel Profile (50x100)**  
Code: P.A.099.5501.600.0.00.19



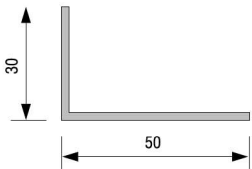
**Panel Profile Two Layers (125)**  
Code: P.A.099.5405.600.0.00.19



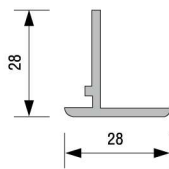
**125x24 Panel Profile**  
Code: P.A.099.5408.600.0.00.19



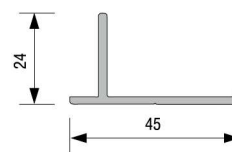
**Panel Profile**  
Code: P.A.099.5407.600.0.00.19



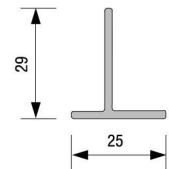
**L Profile 30x50**  
Code: P.A.099.5500.600.0.00.19



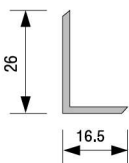
**T Profile**  
Code: P.A.099.5509.600



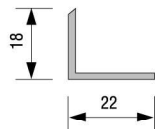
**T Panel Profile**  
Code: P.A.099.5508.600



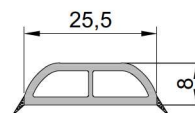
**T Profile**  
Code: P.A.099.5507.600



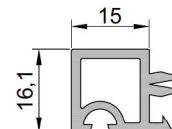
**Large L Profile**  
Code: P.A.099.5511.600



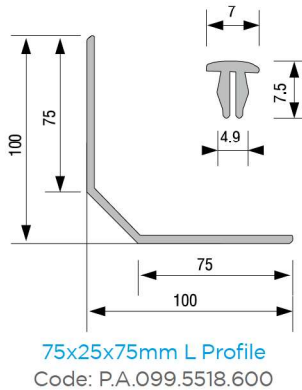
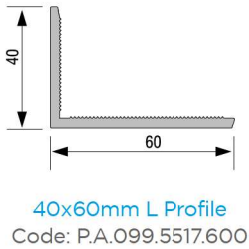
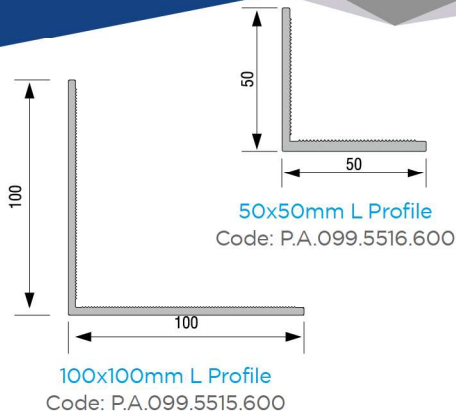
**Narrow L Profile**  
Code: P.A.099.5510.600



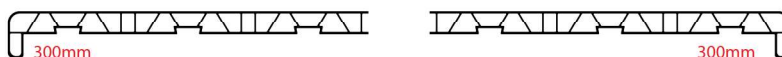
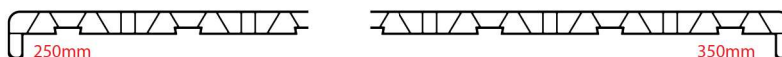
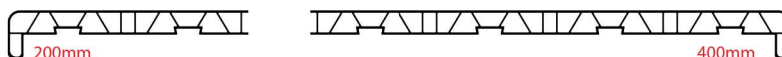
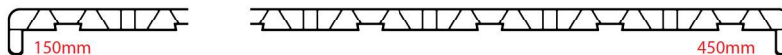
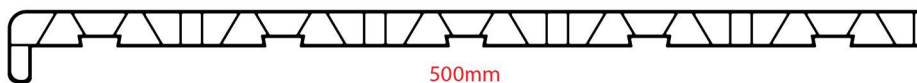
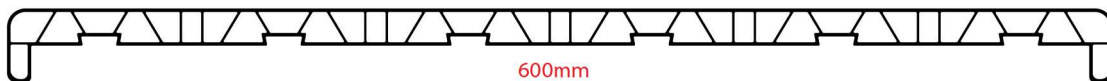
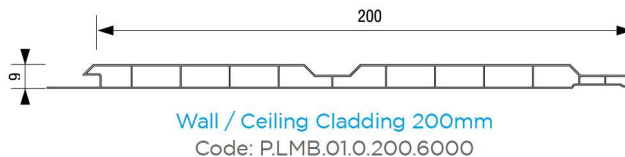
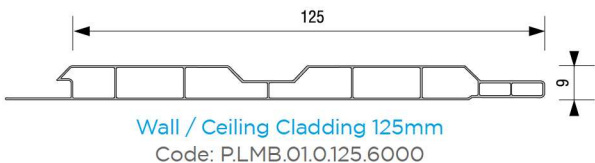
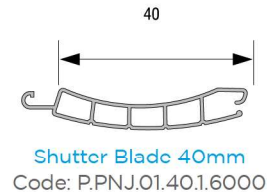
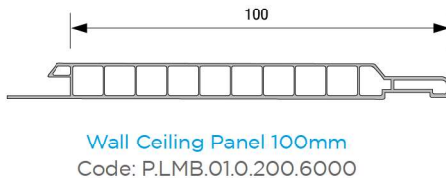
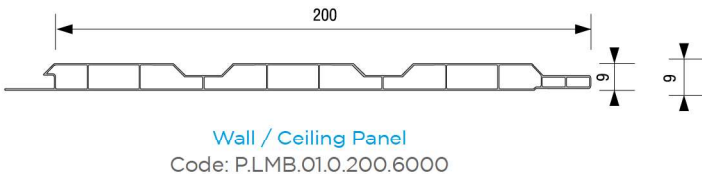
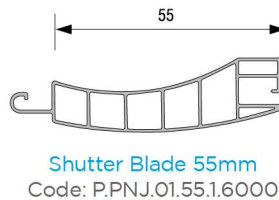
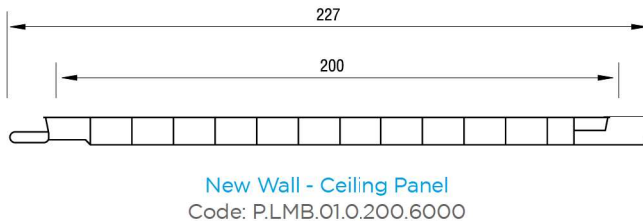
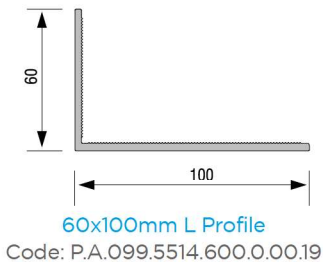
**Glass Separation Bead**  
Code: P.A.099.4702.600.0.HC



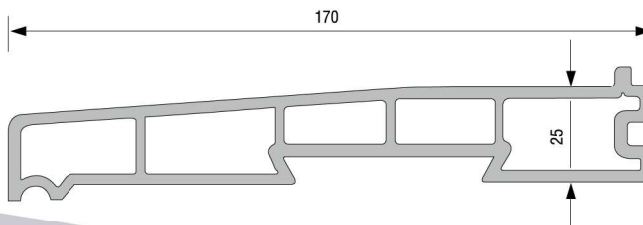
**Frame Sill Profile 15mm**  
Code: P.A.099.5525.600.0.HC



**Frame Channel  
Cover Profile**  
Code: P.A.099.5703.600



**Sill Profile**  
Code: P.A.099.55.13.600.0.00.19







**ADO**



[www.ado.com.tr](http://www.ado.com.tr)

**FACTORY**

Antalya Organize Sanayi Bölgesi 2.Kısım Mah. 21.Cadde No:3

07040 Döşemealtı / ANTALYA / TURKEY

Tel : +90 242 236 20 00 · Faks : +90 242 236 20 90 · Email : [info@ado.com.tr](mailto:info@ado.com.tr)

